

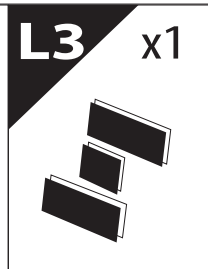
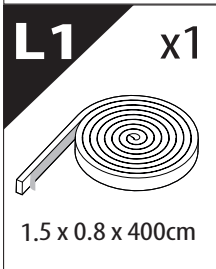
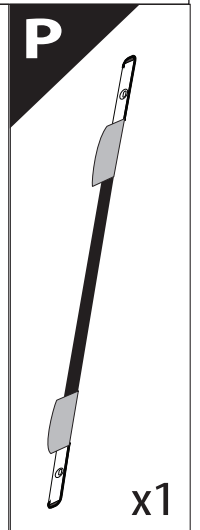
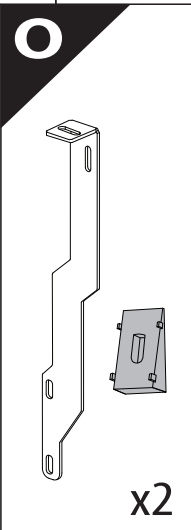
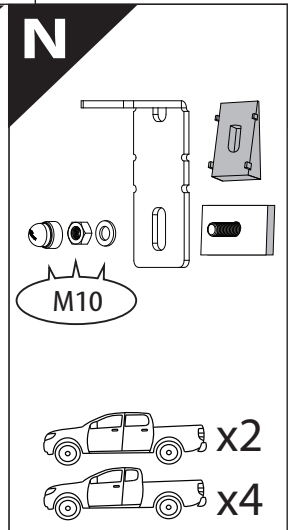
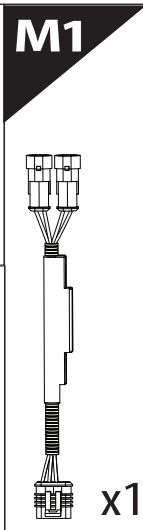
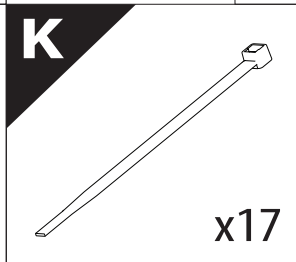
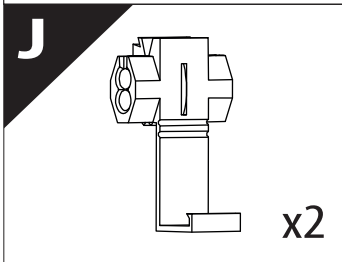
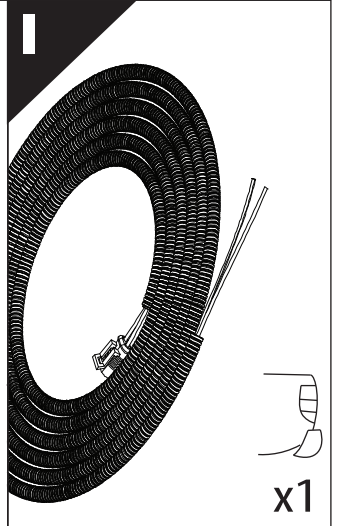
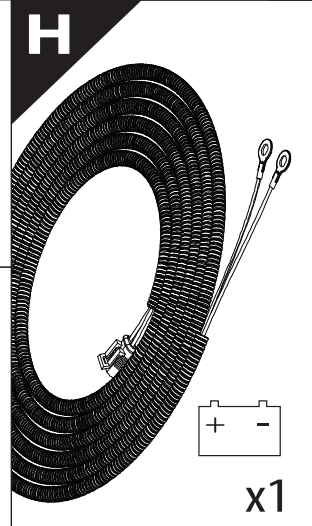
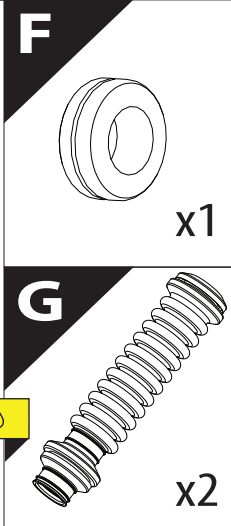
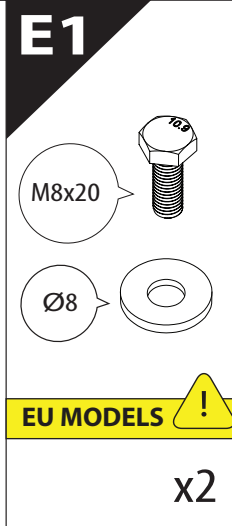
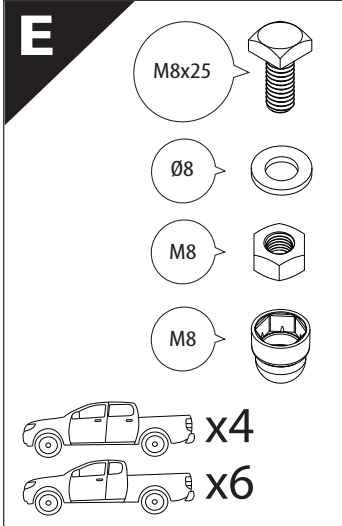
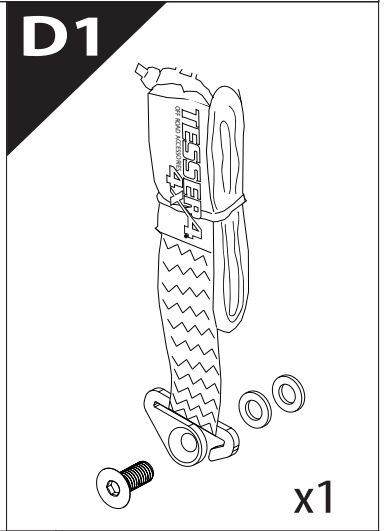
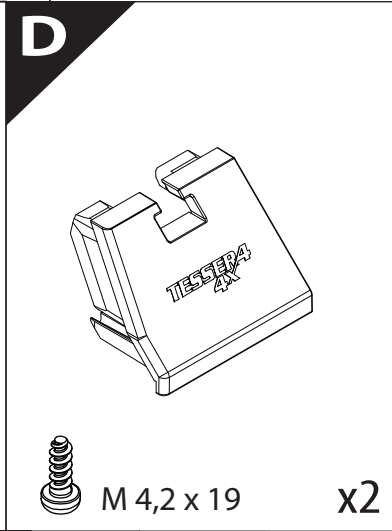
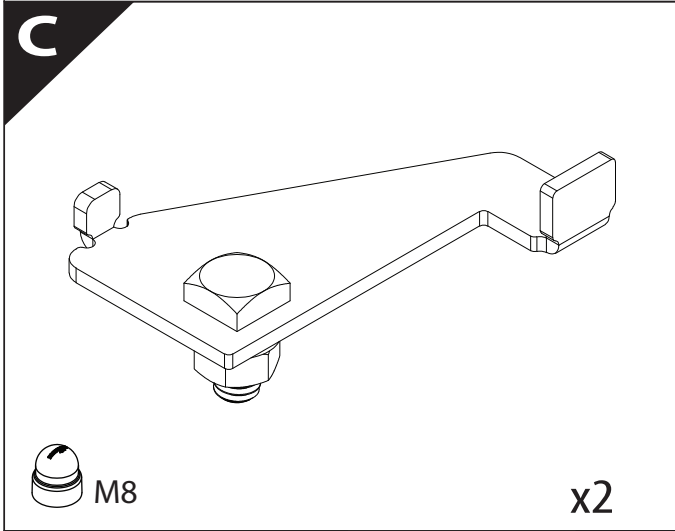
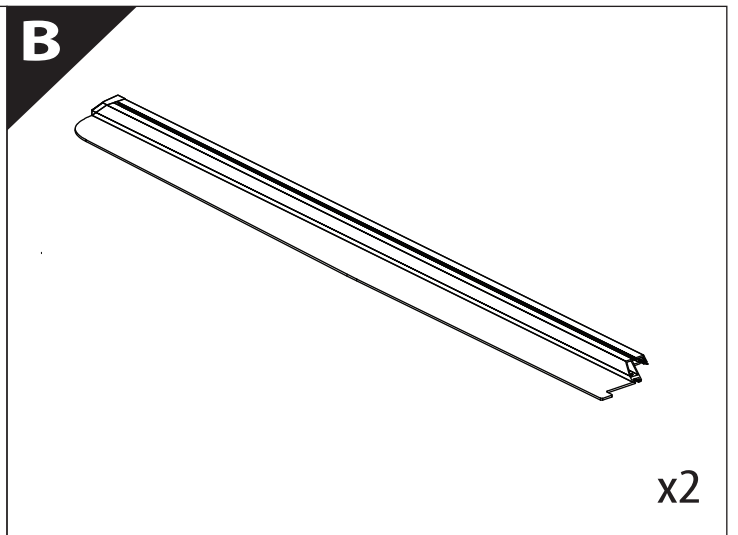
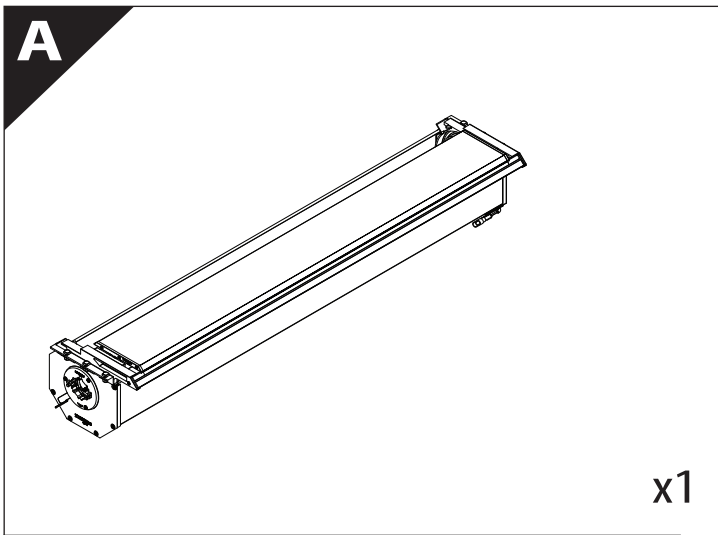
Tessera Roll+


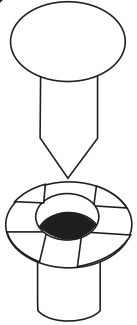


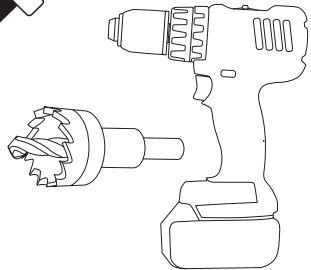
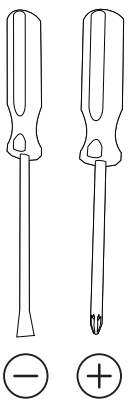

Basic Version + ⚙️ S-KIT

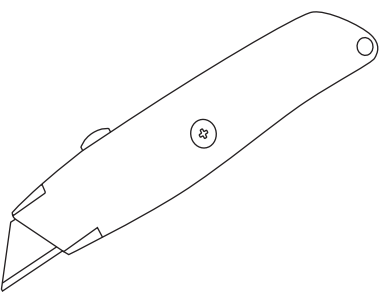
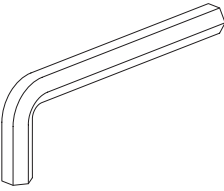
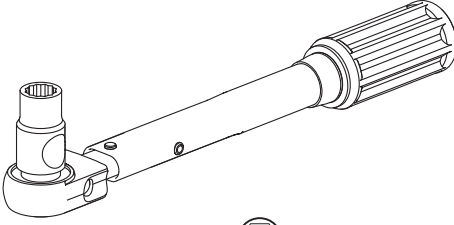



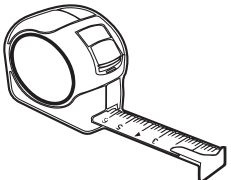

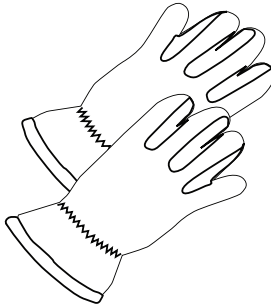
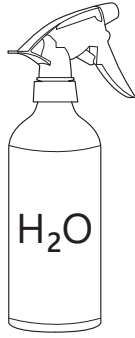
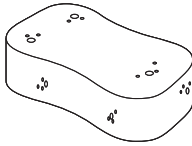
Installation Manual

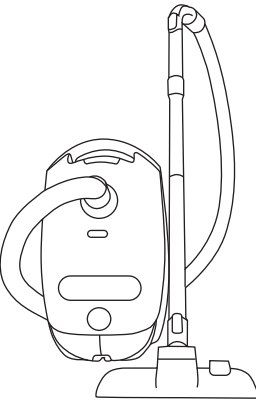
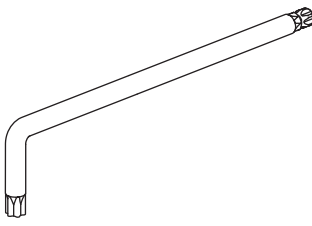
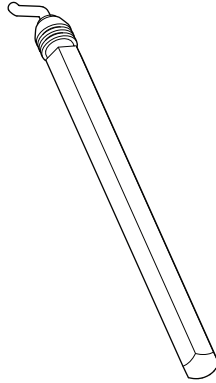
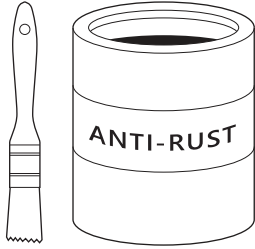
PART NUMBER(S)	Model Year
TESS 14060 ROLL+S-KIT	FORD RANGER 2023+ (P 703) (with c-channels)
TESS 14070 ROLL+S-KIT	
Cab(s)	Installation Time / Weight
Double Cab & Space cab	40-60 minutes / 53-57 kg



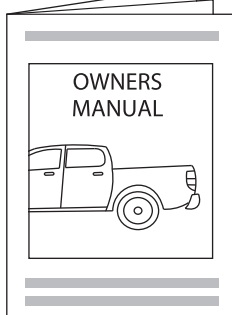


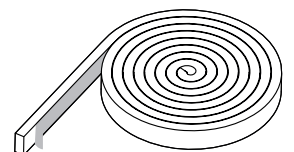
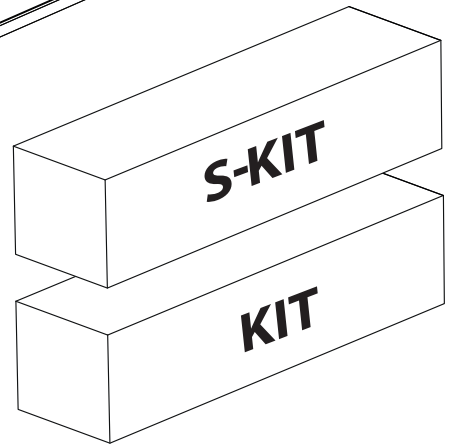
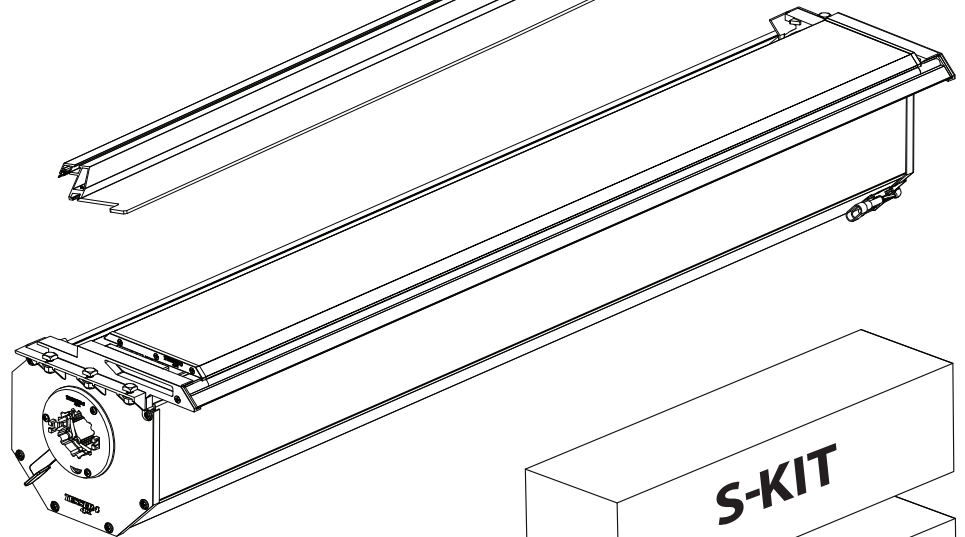
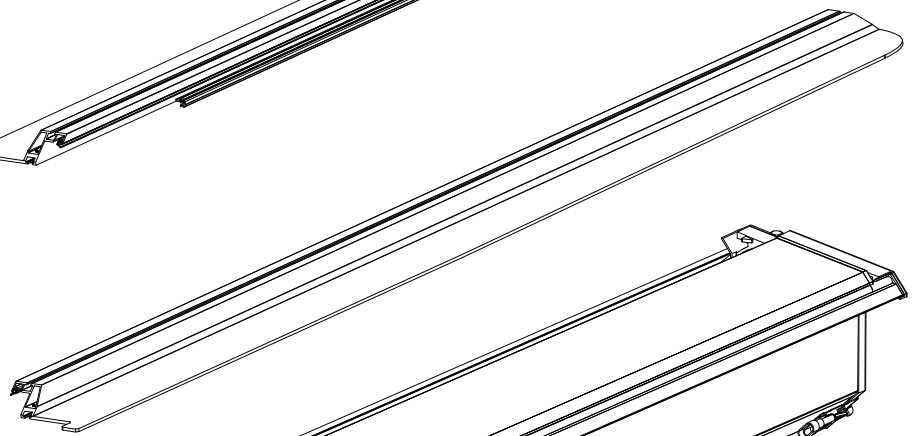
<p>Q</p>  <p>x1</p>	<p>R</p>  <p>x2</p> <p>US MODELS </p>	  <p>Ø 25 mm</p>	 <p>- +</p>	
---	---	--	--	---

	 <p>4 mm</p>	<p>1 - 25 Nm</p>  <p>10, 12, 13, 17 mm</p>
---	---	--

 <p>ACETONE</p>				 <p>H₂O</p>	
---	--	--	---	--	---

	 <p>T30, T40</p>		 <p>ANTI-RUST</p>
---	---	--	--

	 <p>INSTALATION MANUAL +S-KIT</p>	 <p>OWNERS MANUAL</p> <p>x1</p>
---	--	---

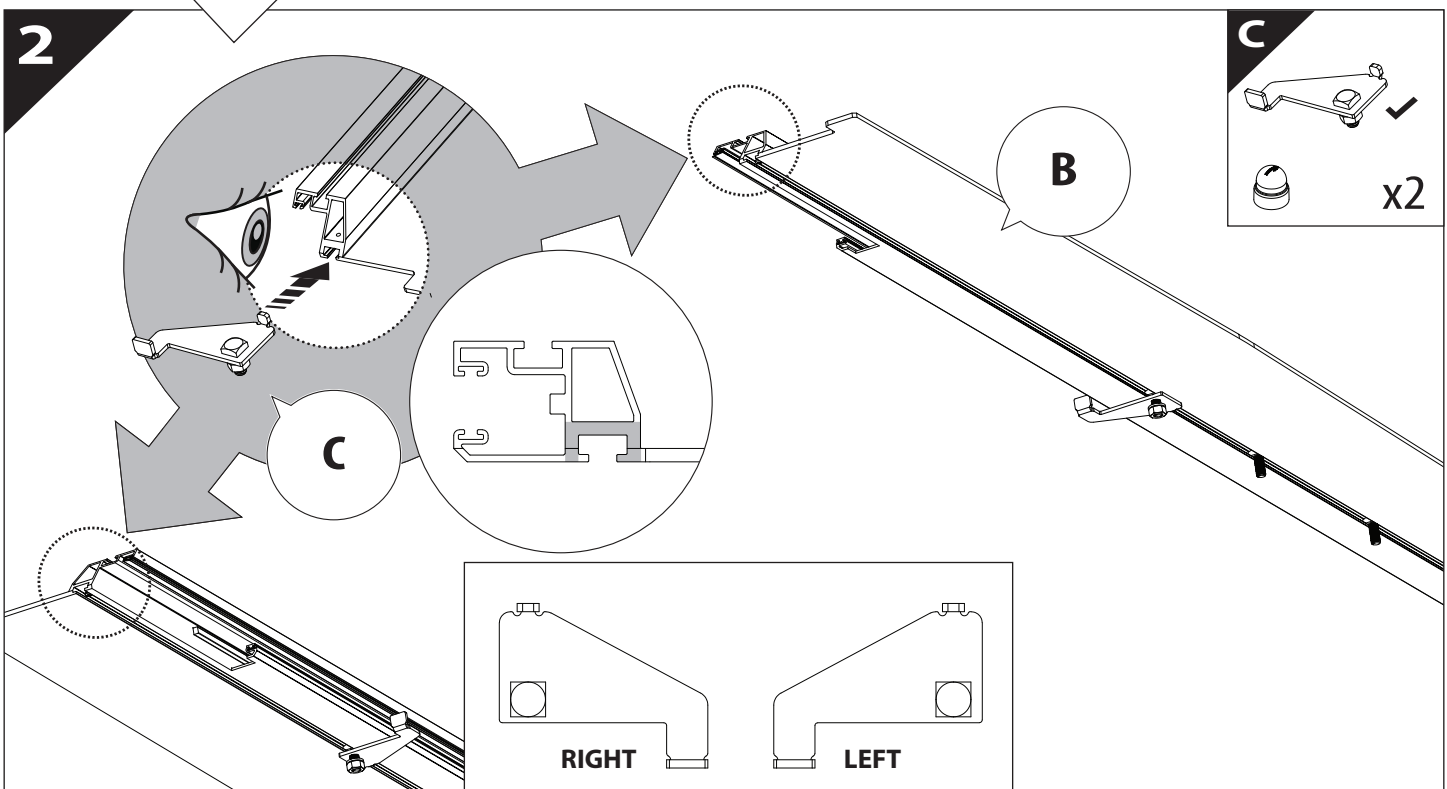
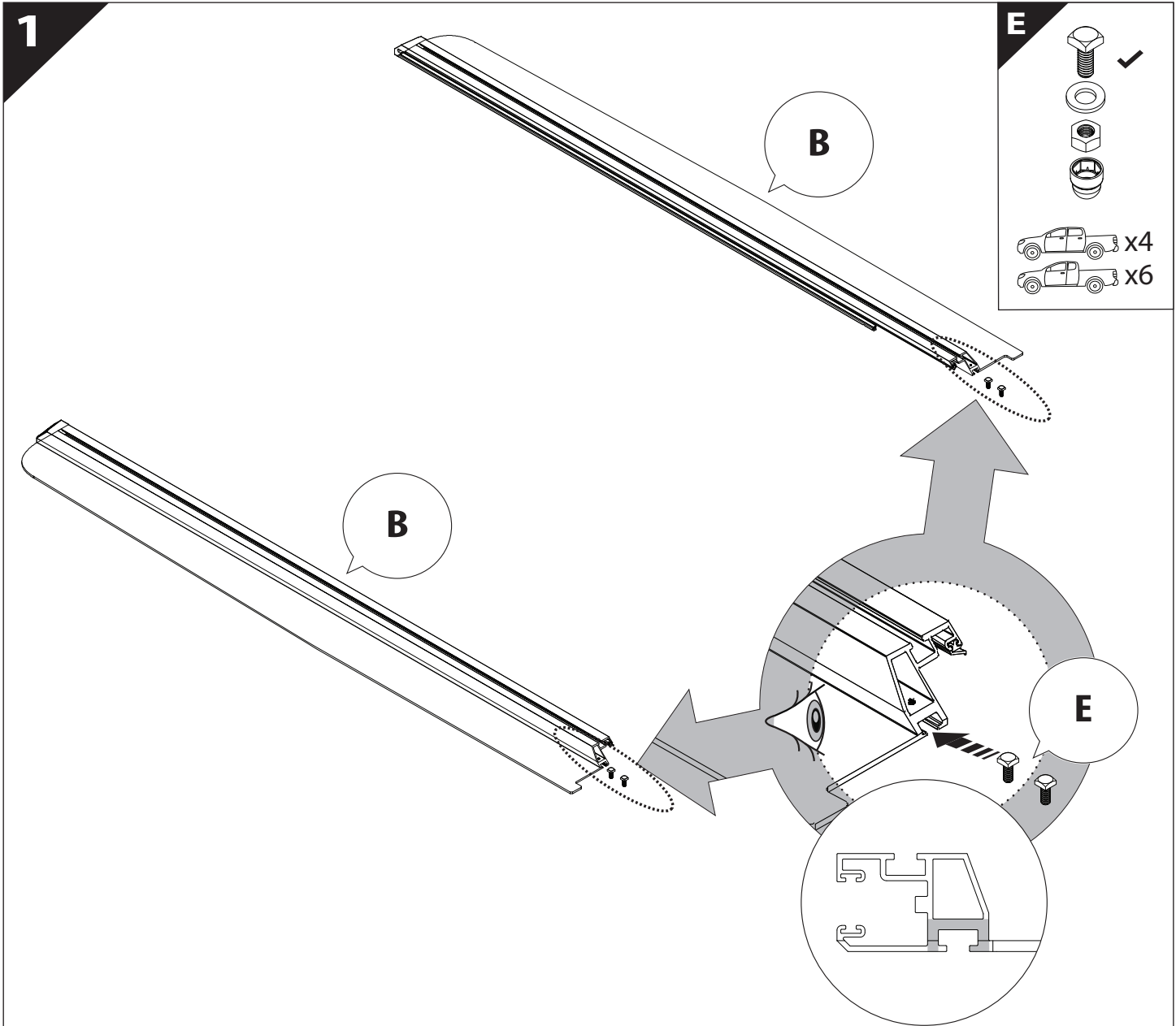


B

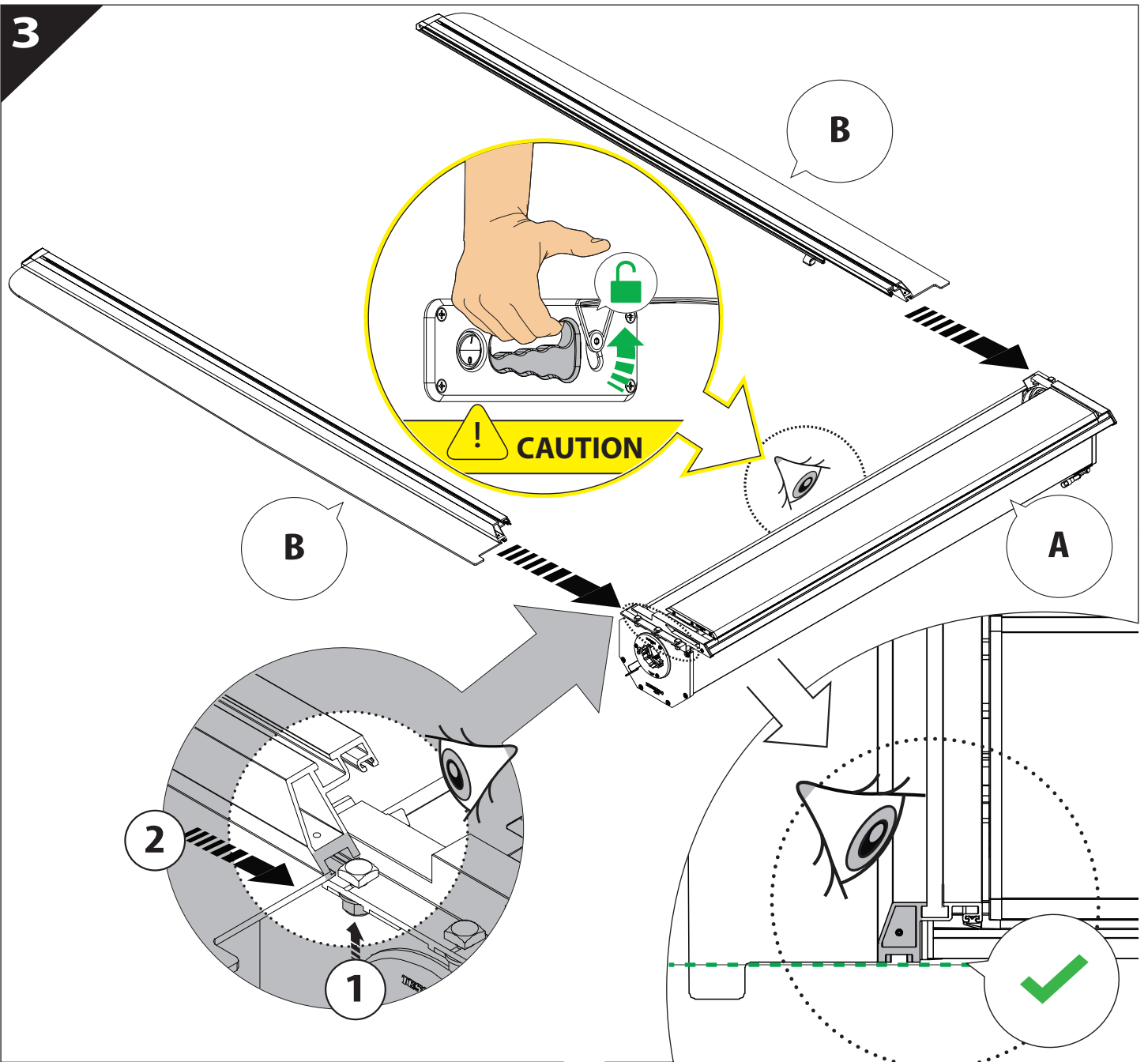
A

KITS

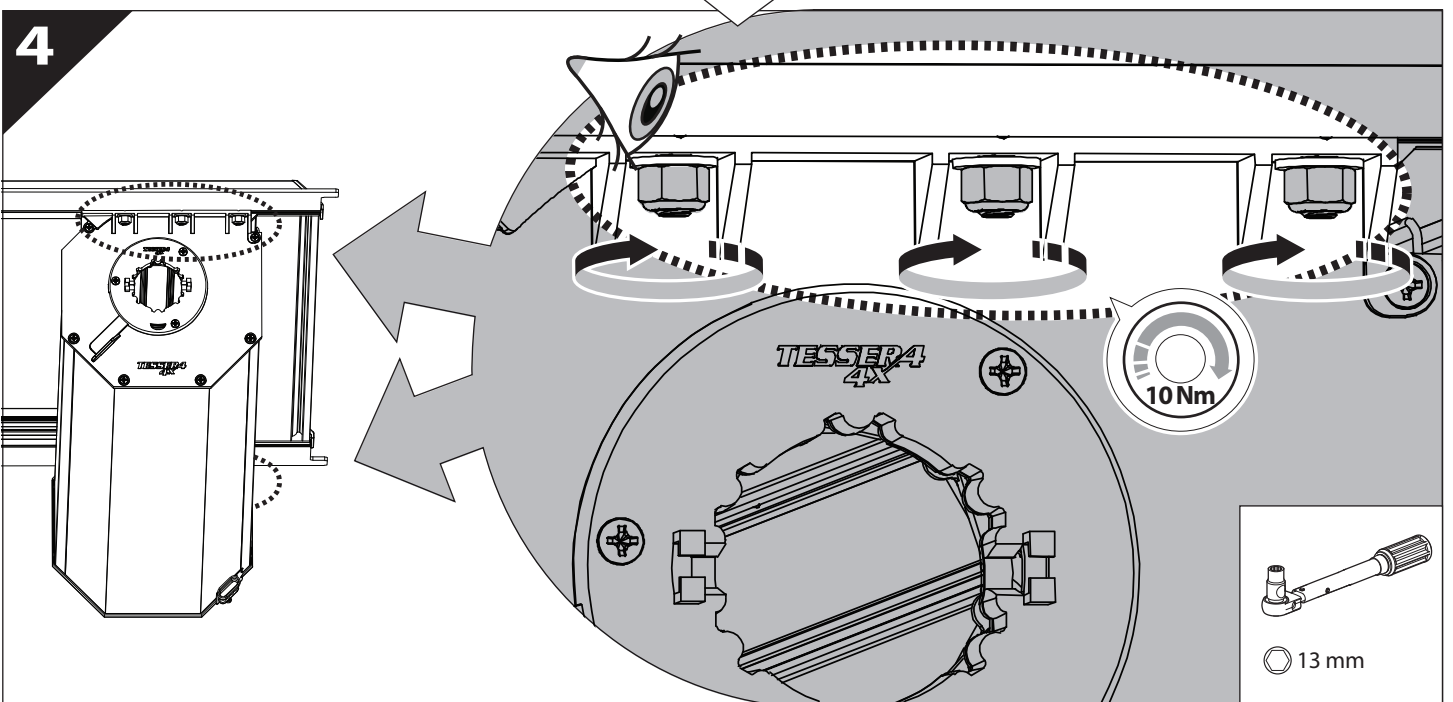
L

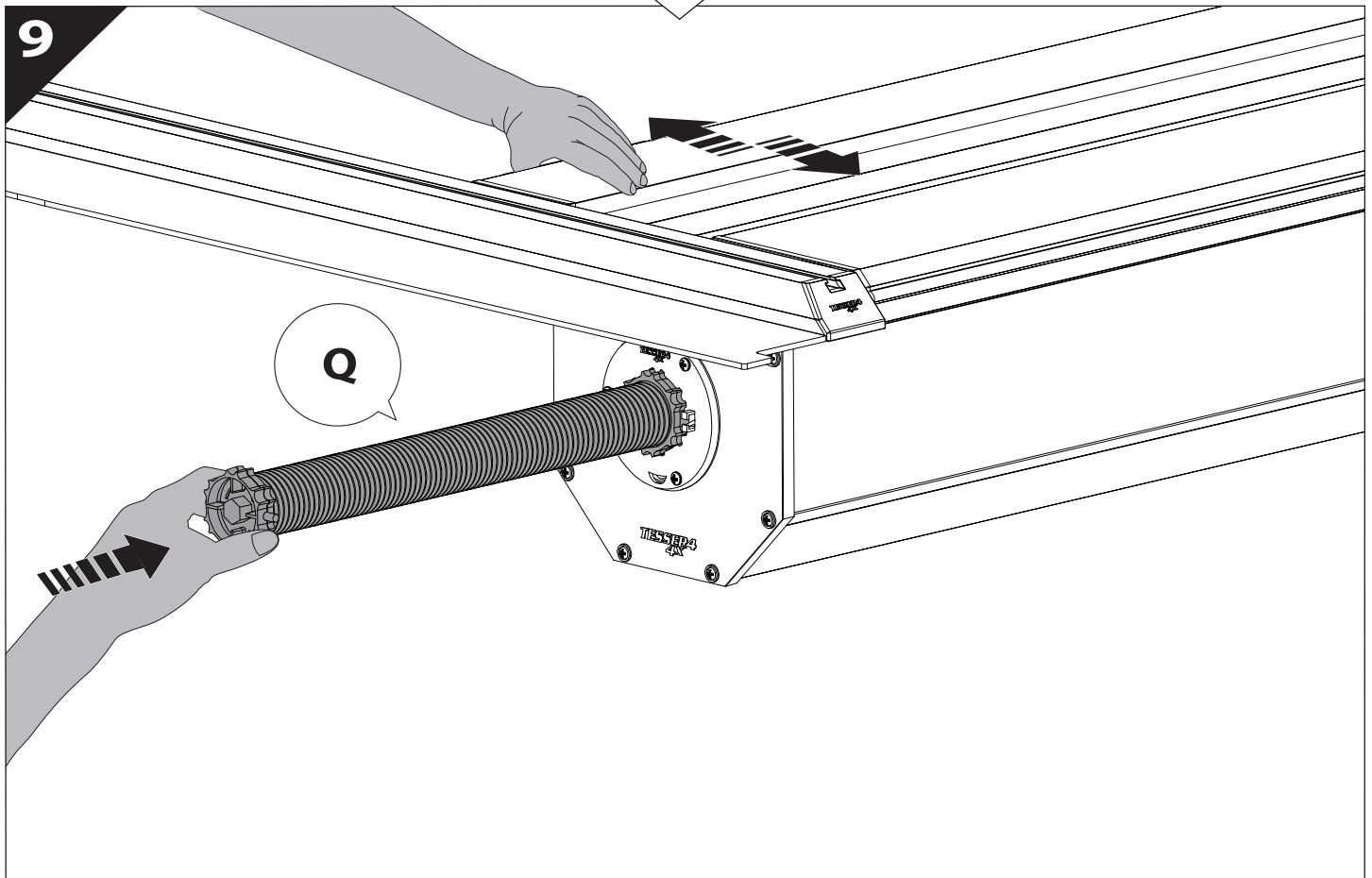
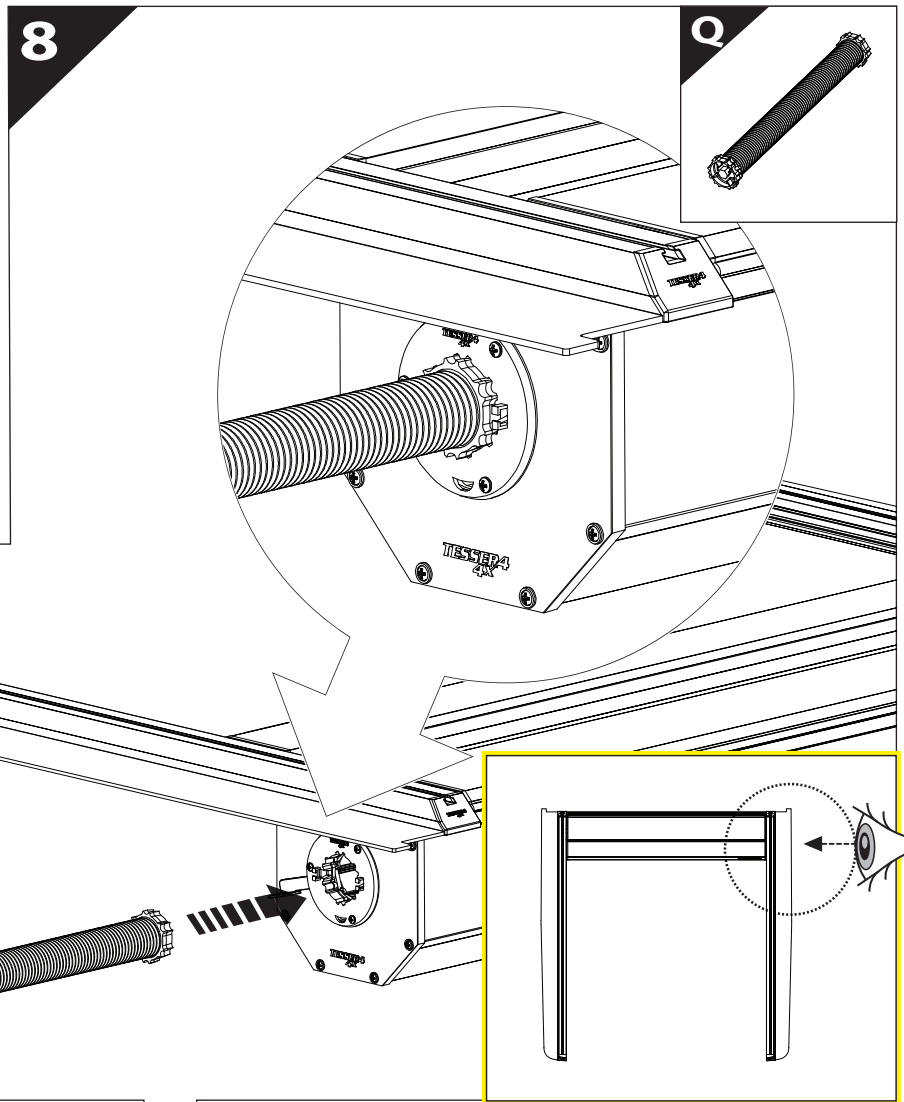
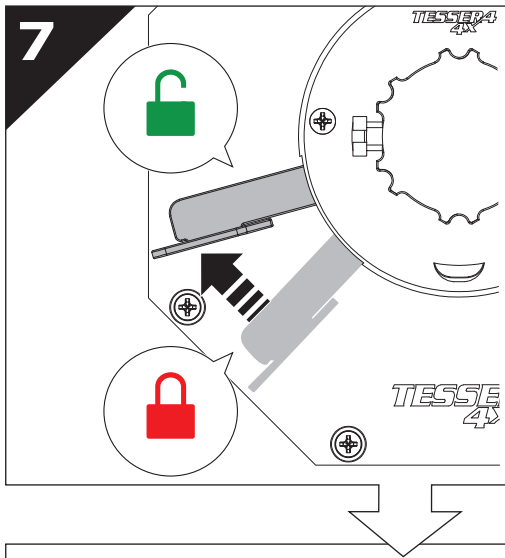


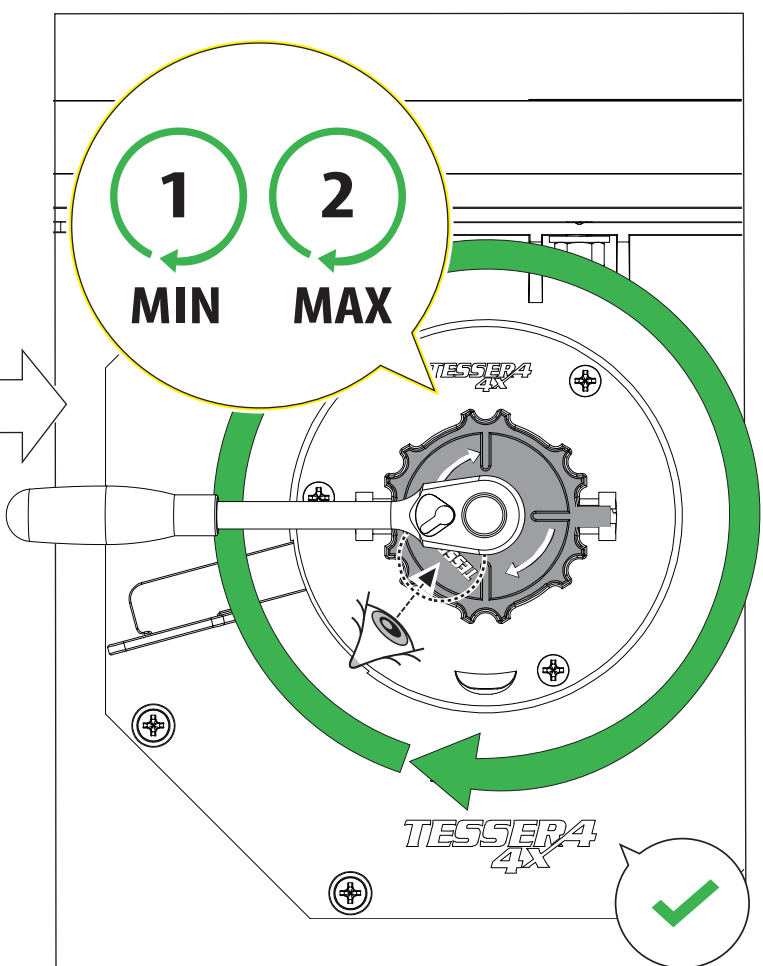
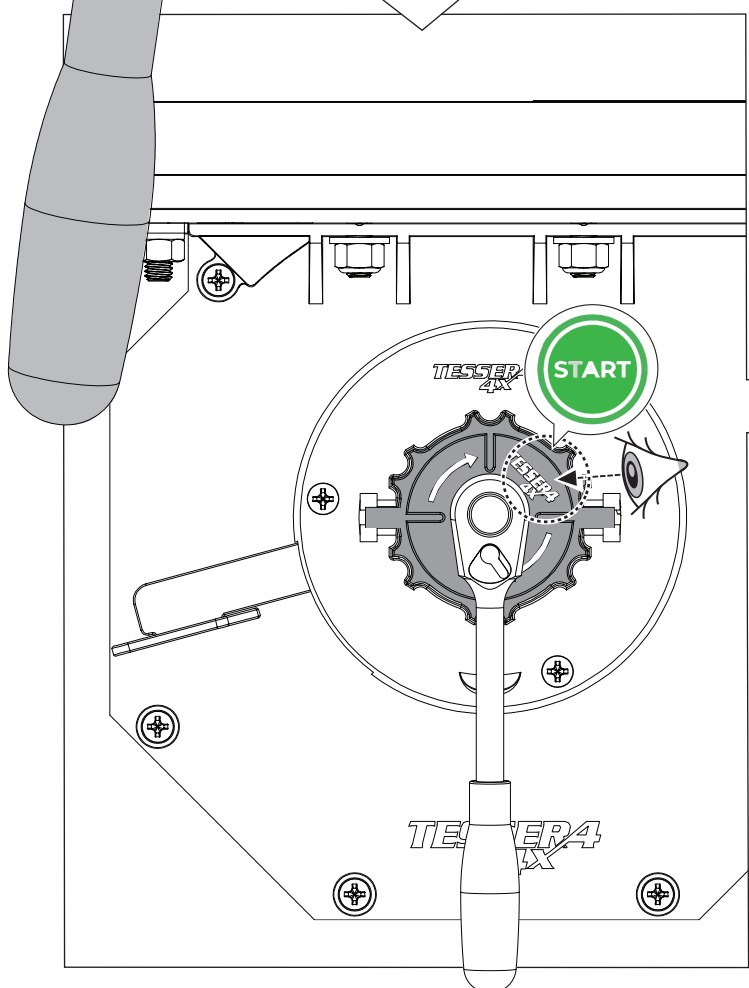
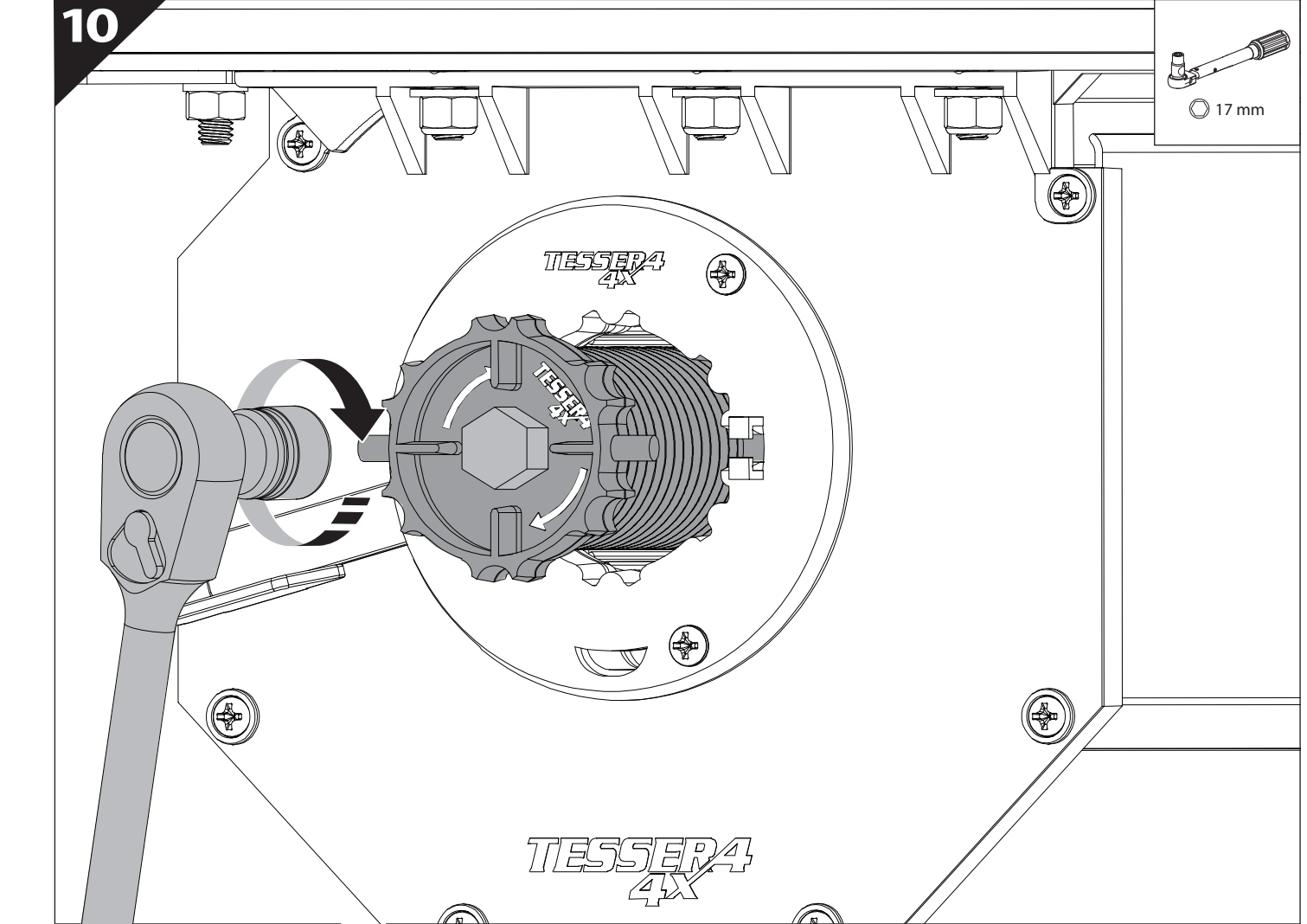
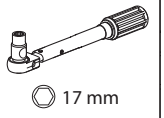
3



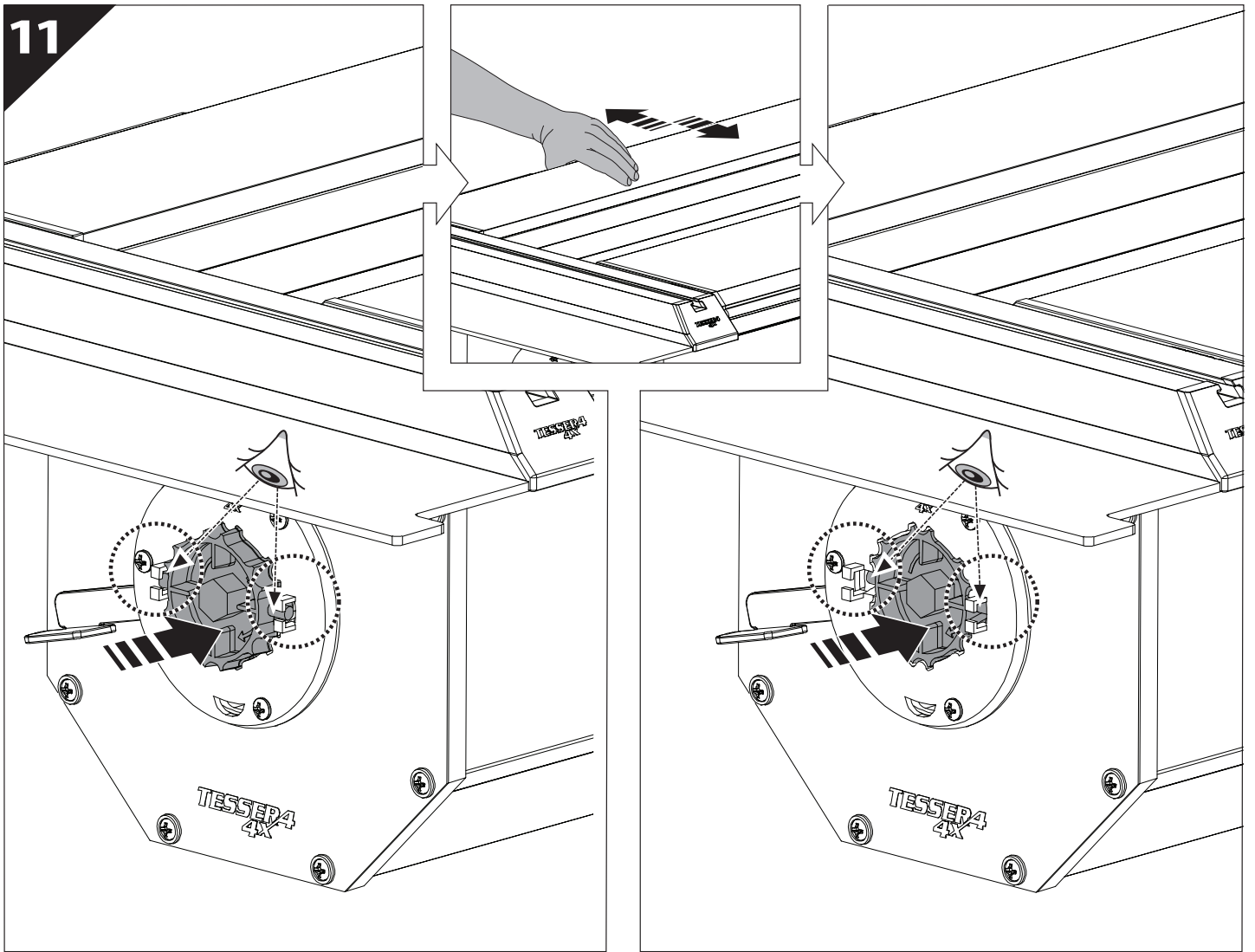
4



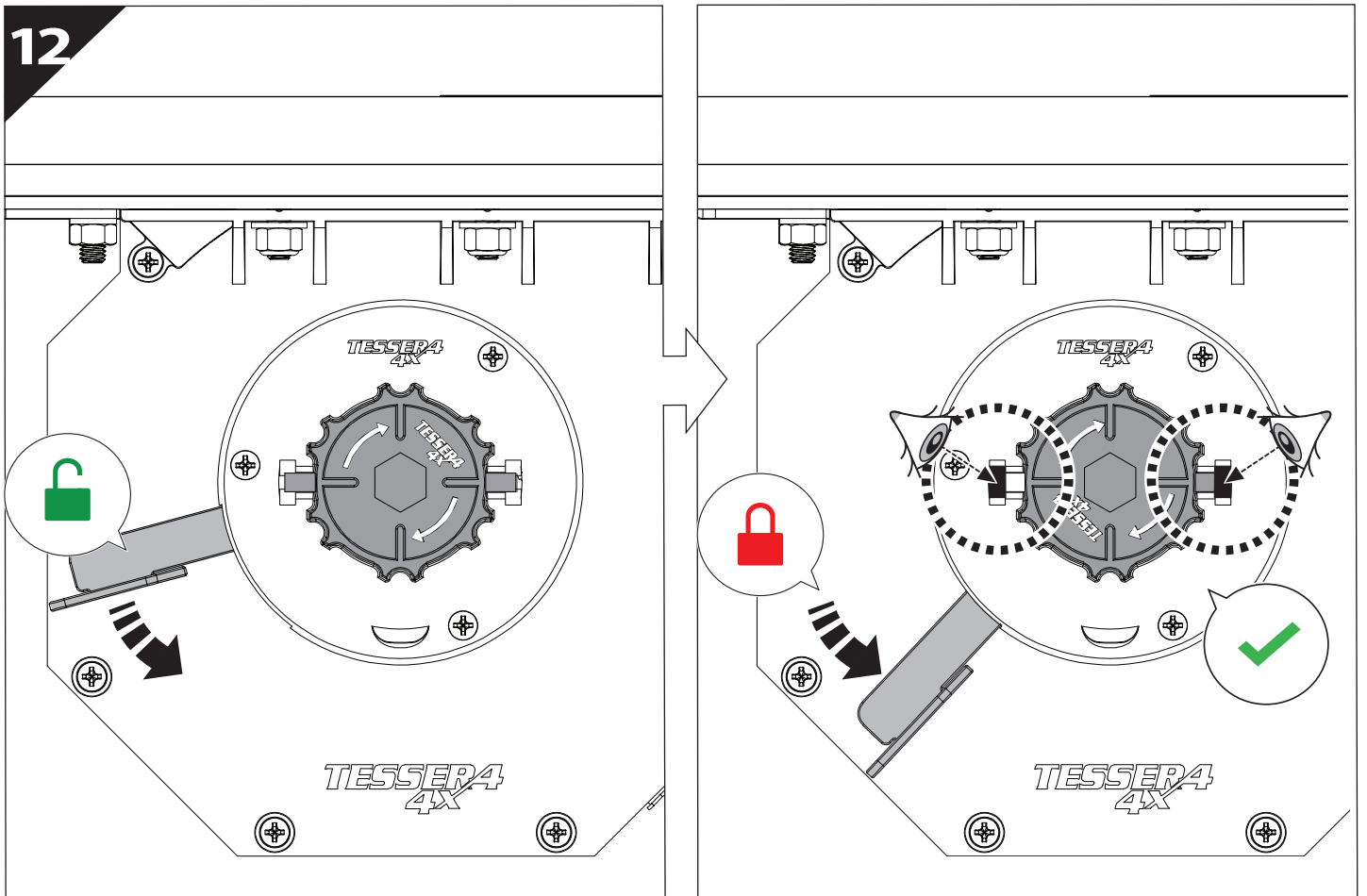




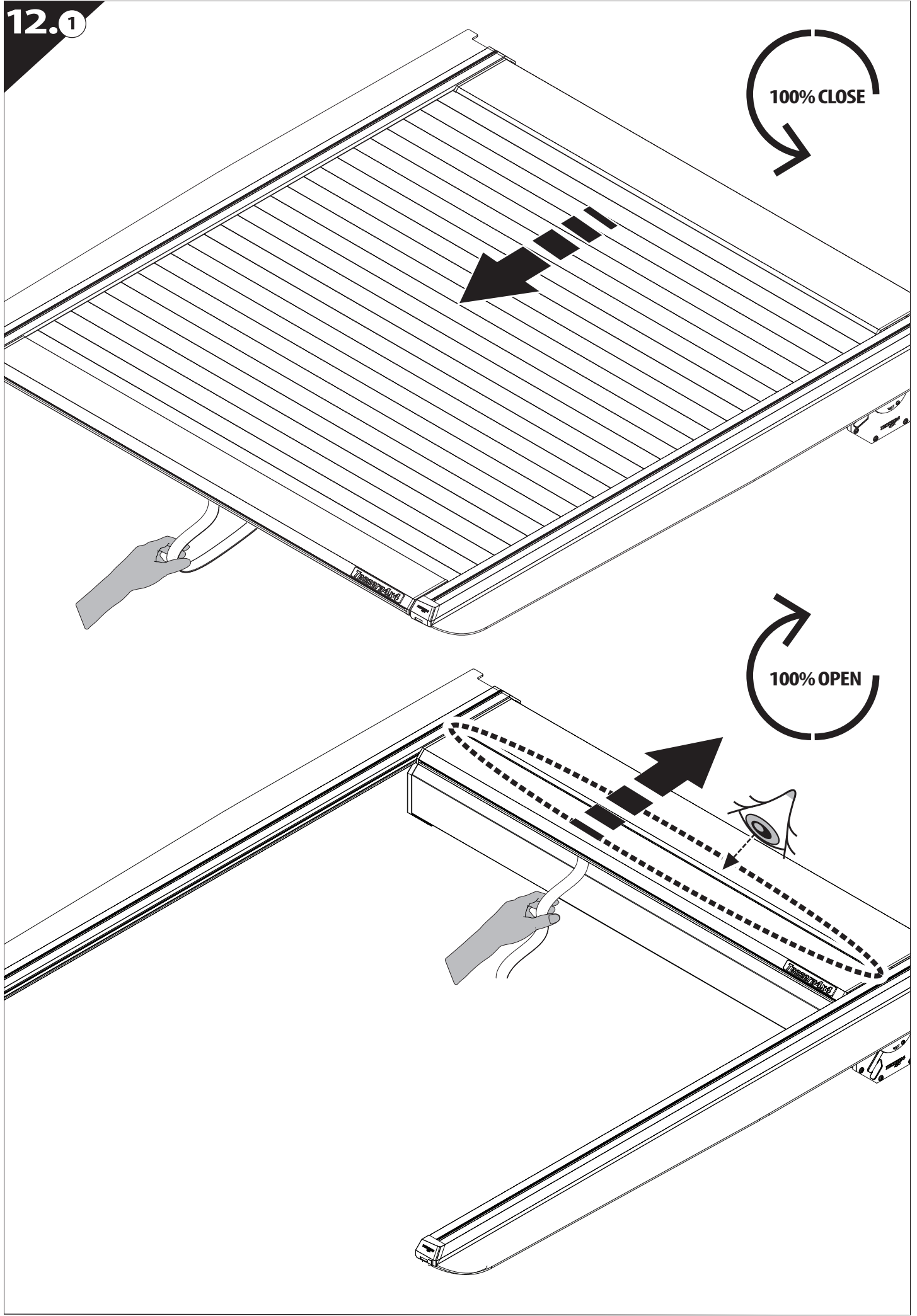
11



12



12.0



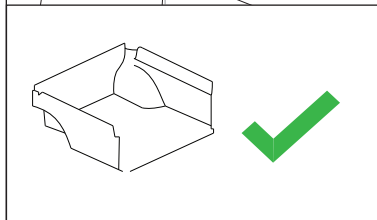
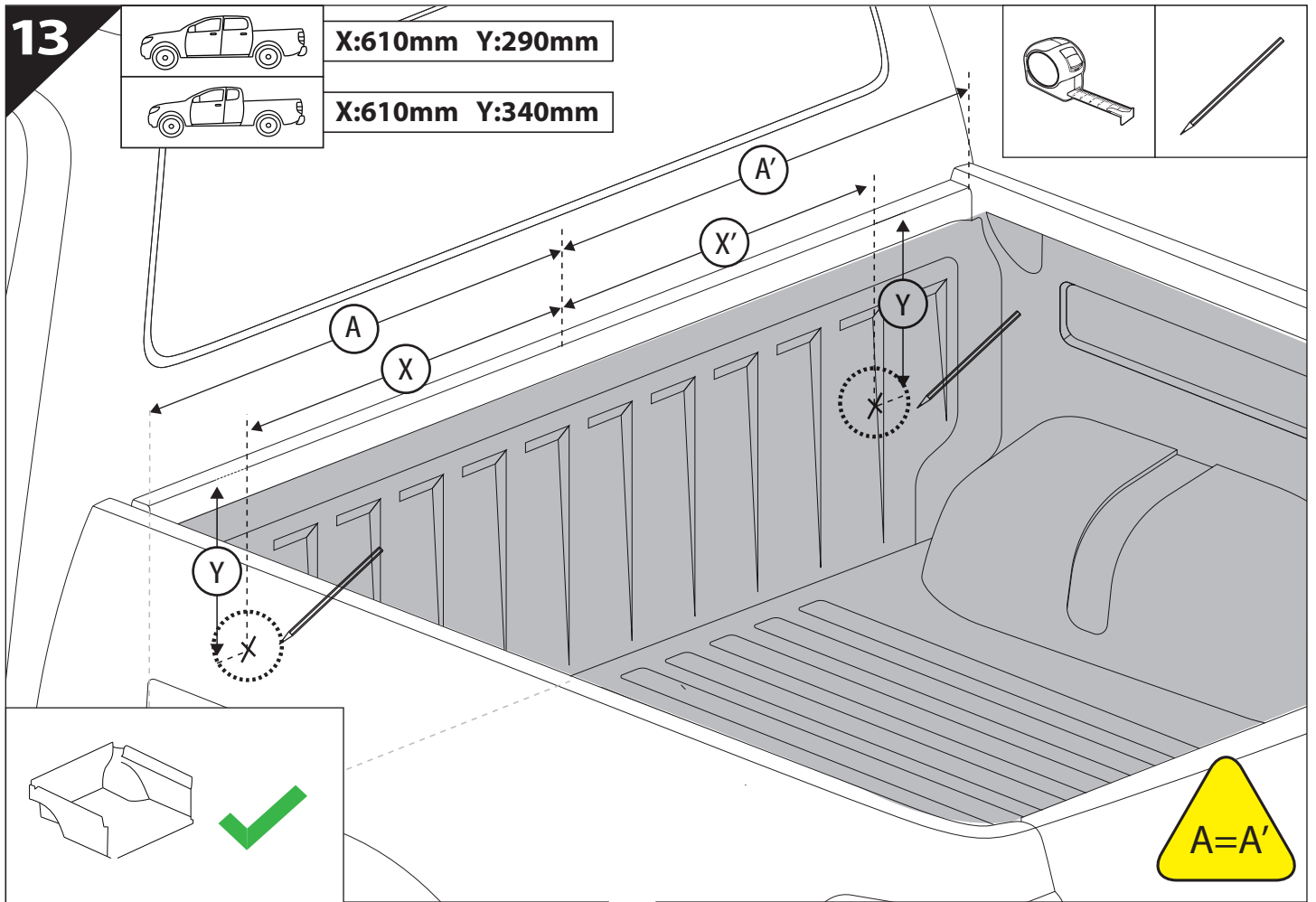
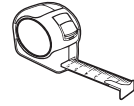
13



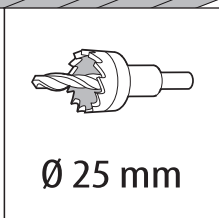
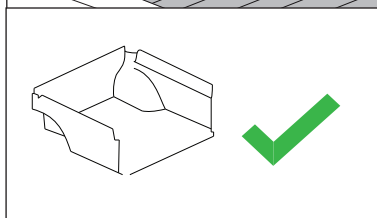
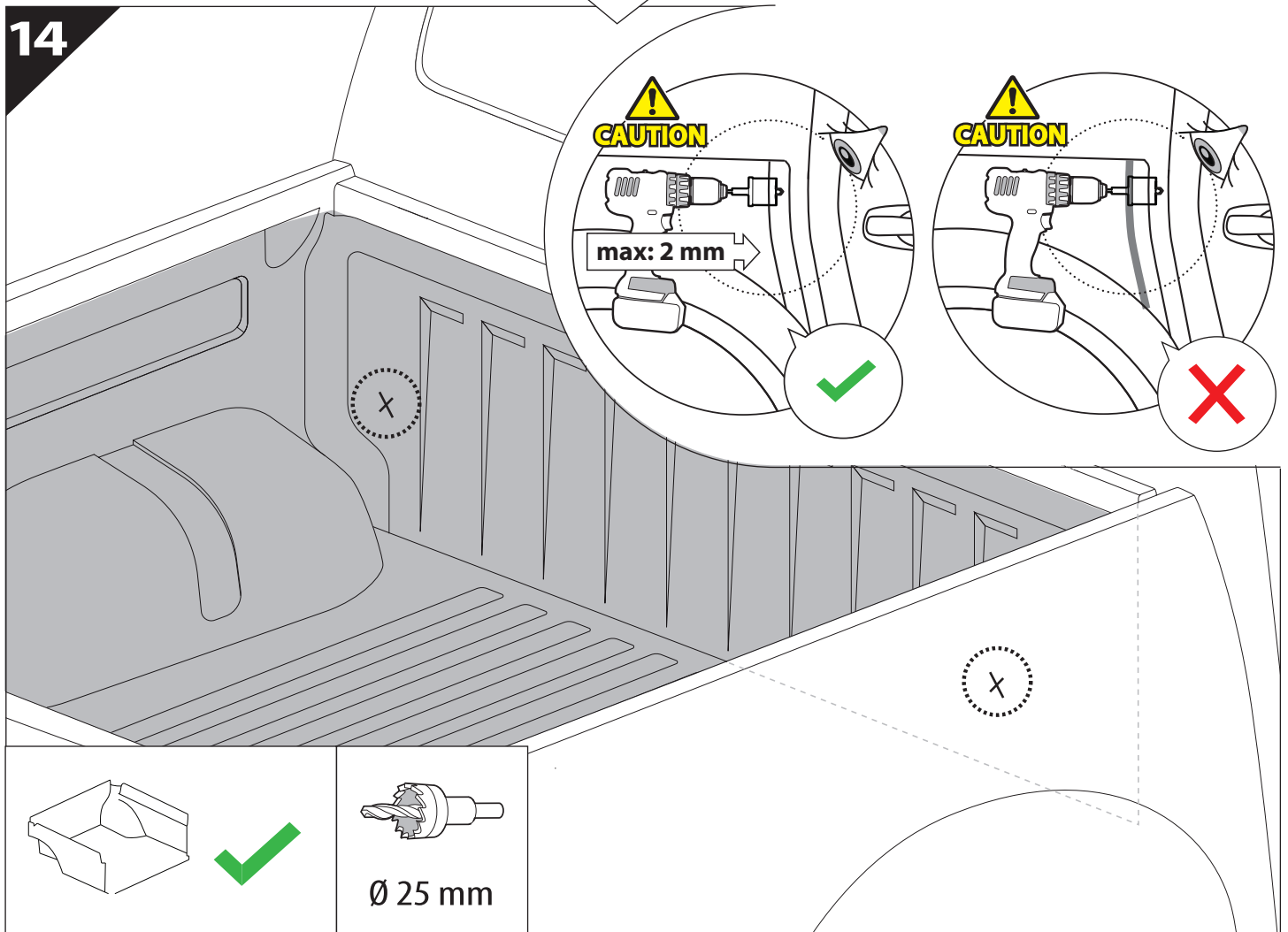
X:610mm Y:290mm



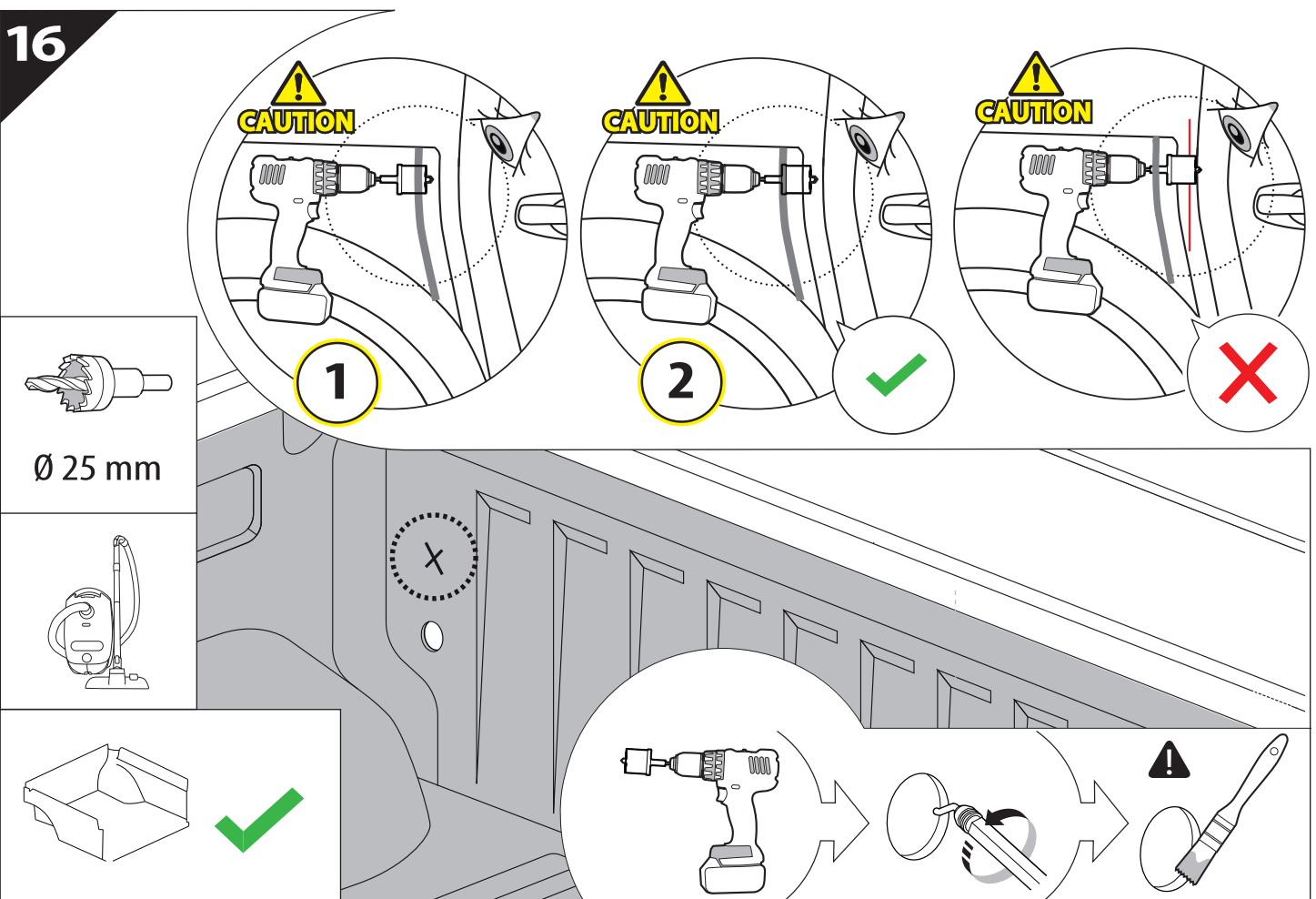
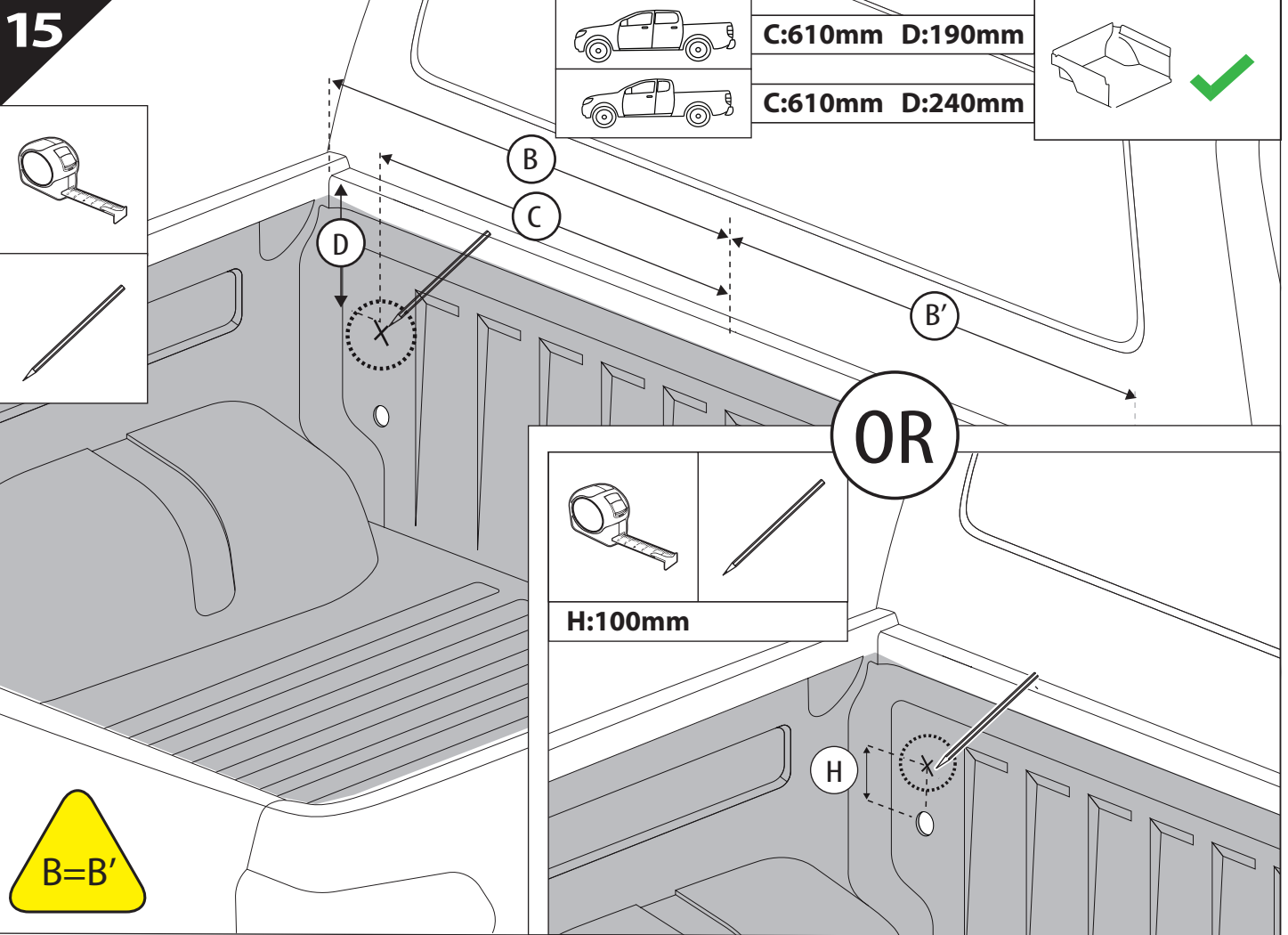
X:610mm Y:340mm

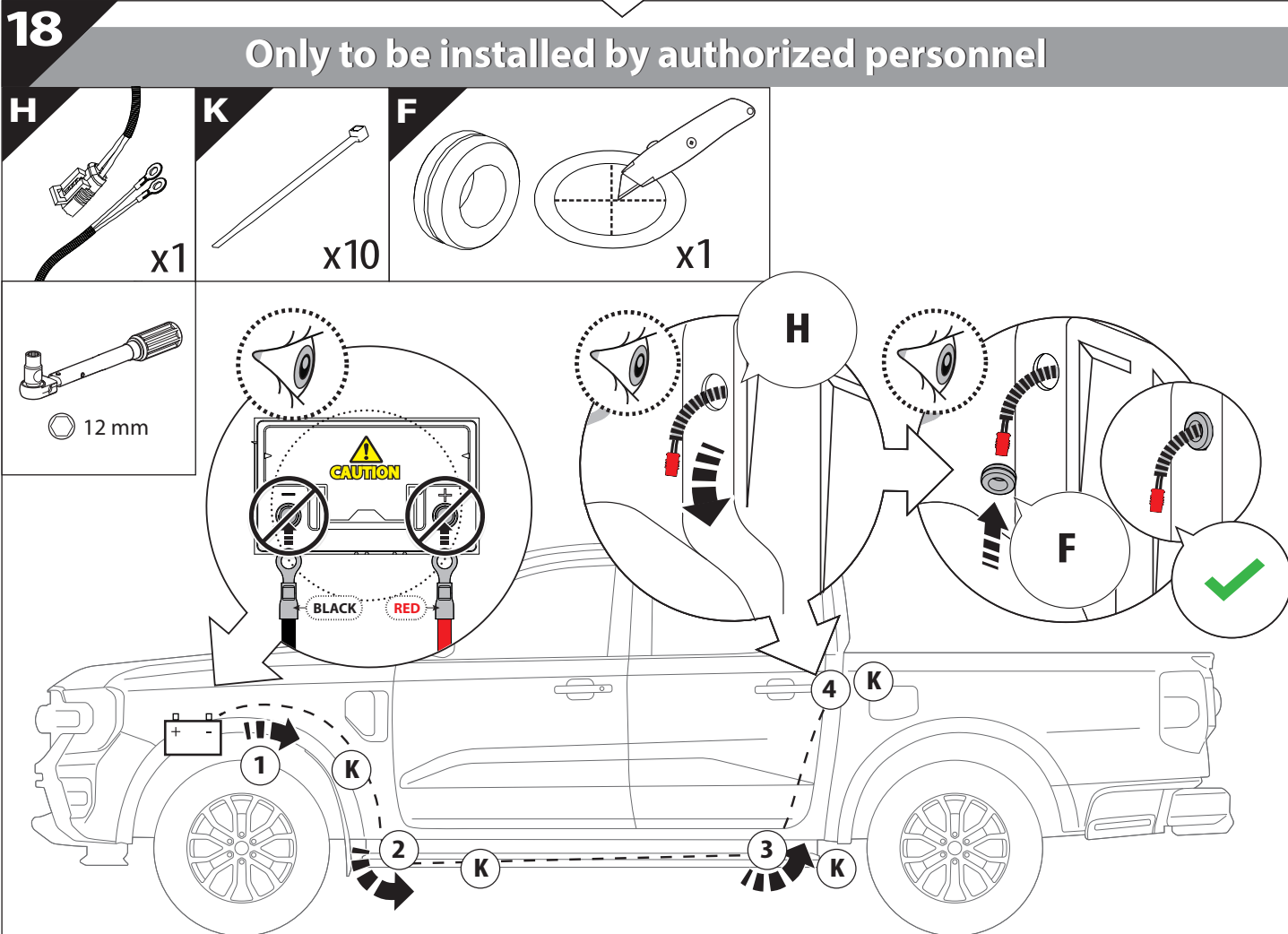
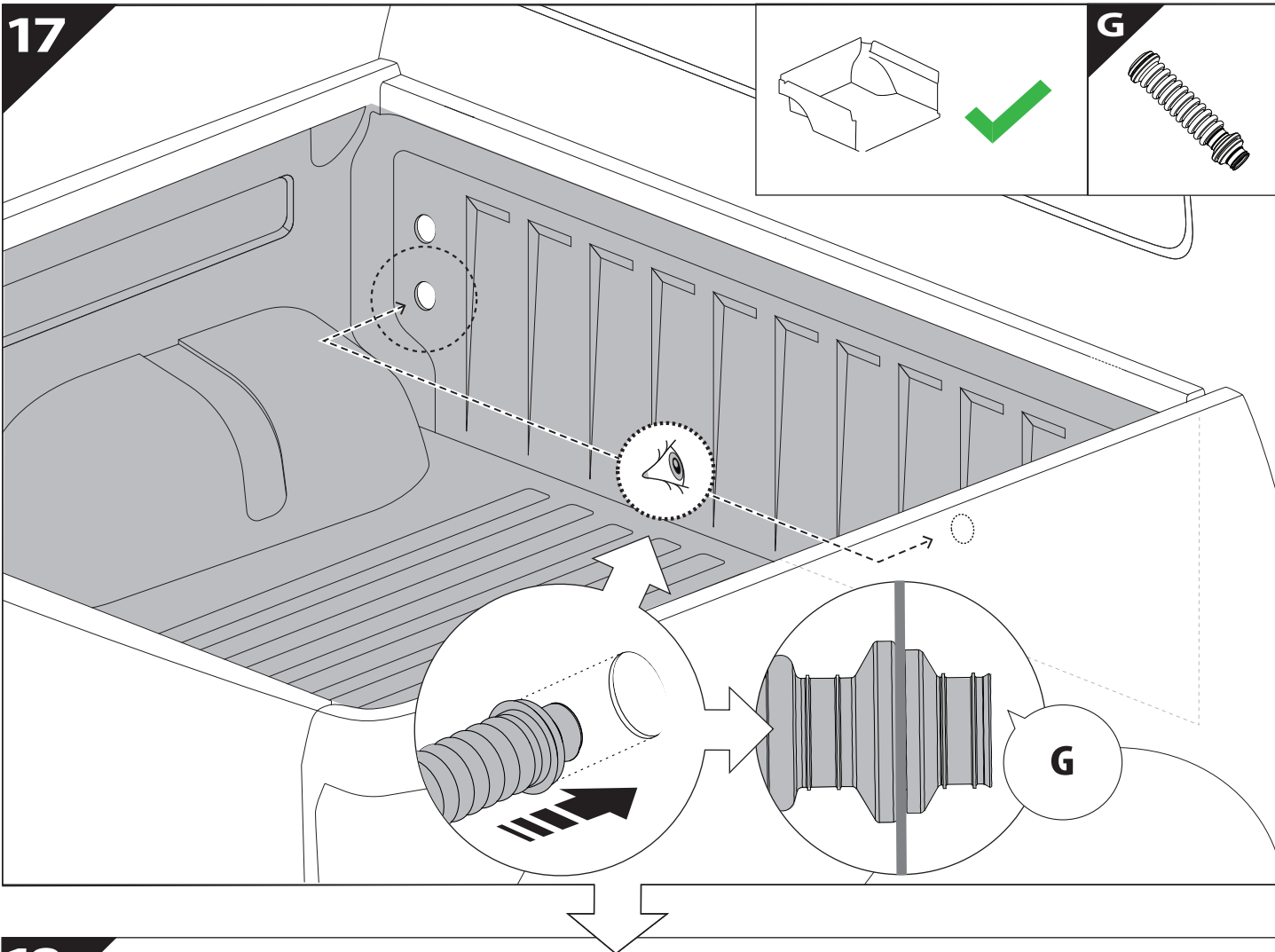


14

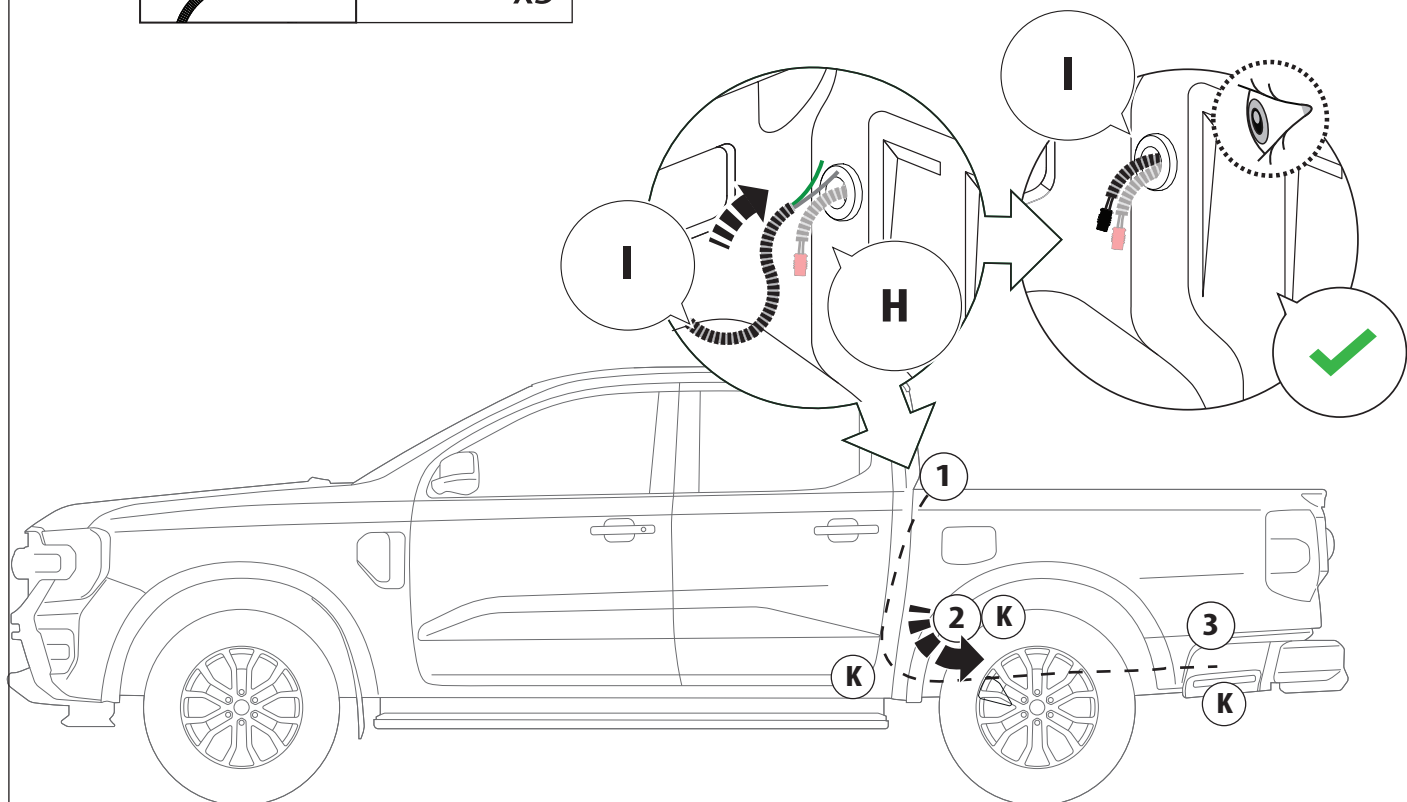
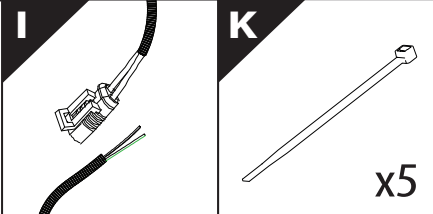


Ø 25 mm





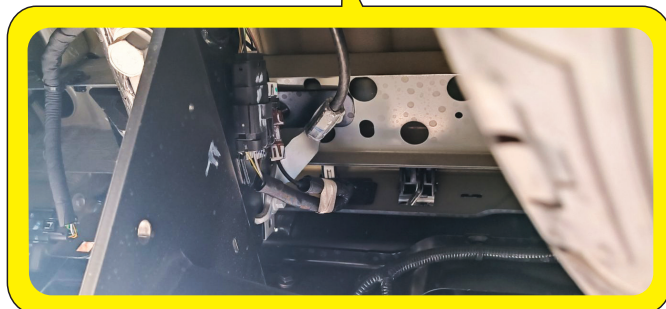
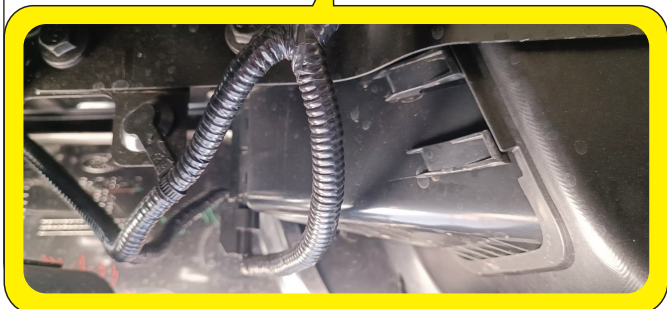
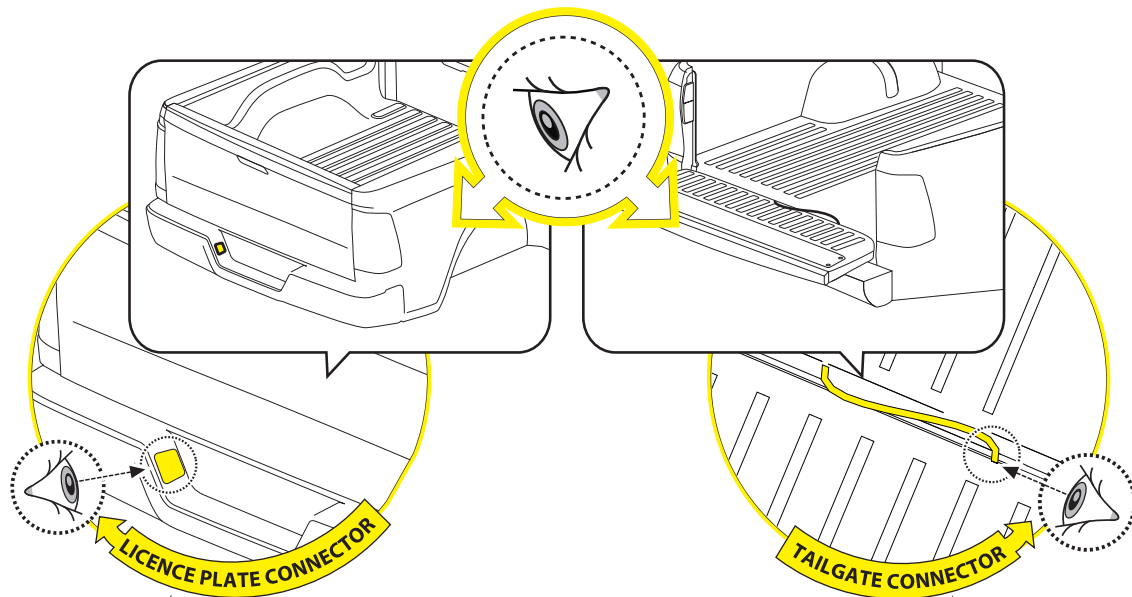
19



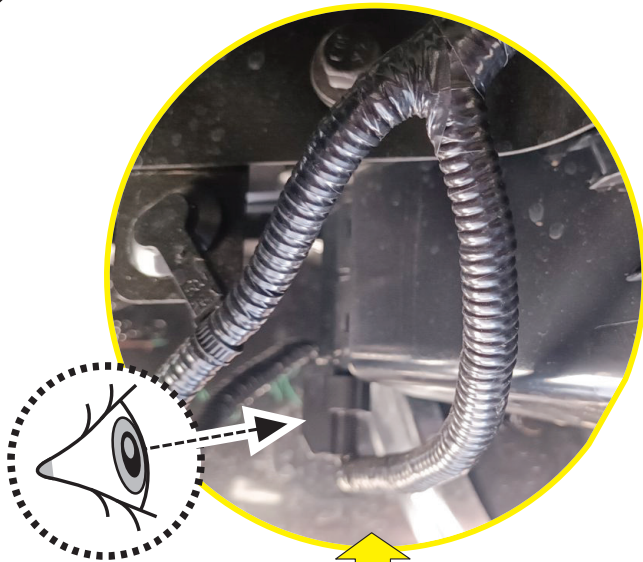
20



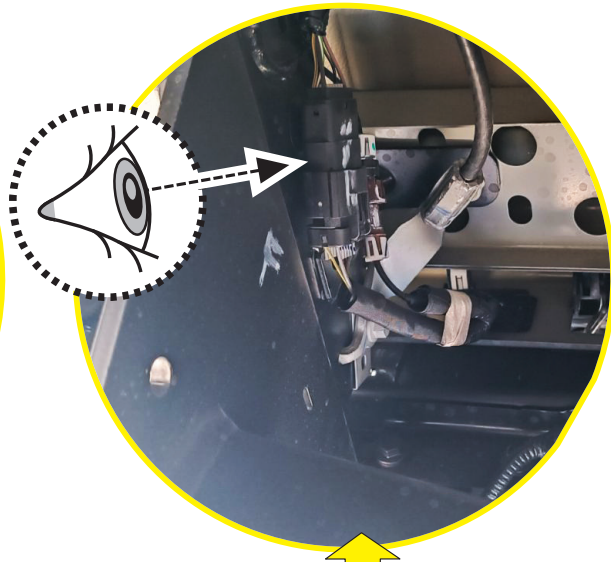
CAUTION: LIMITED, WILDTRAK, WILDTRAK X, PLATINUM



20.1



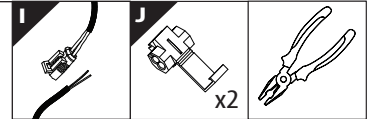
LICENCE PLATE CONNECTOR



TAILGATE CONNECTOR

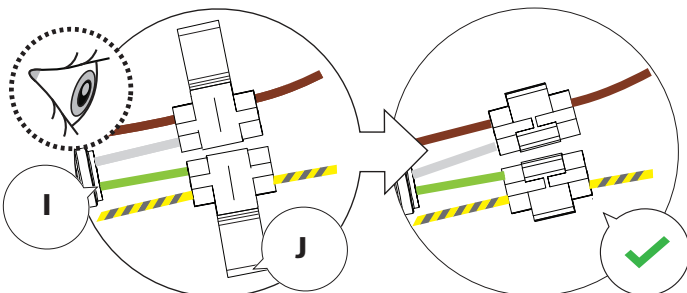
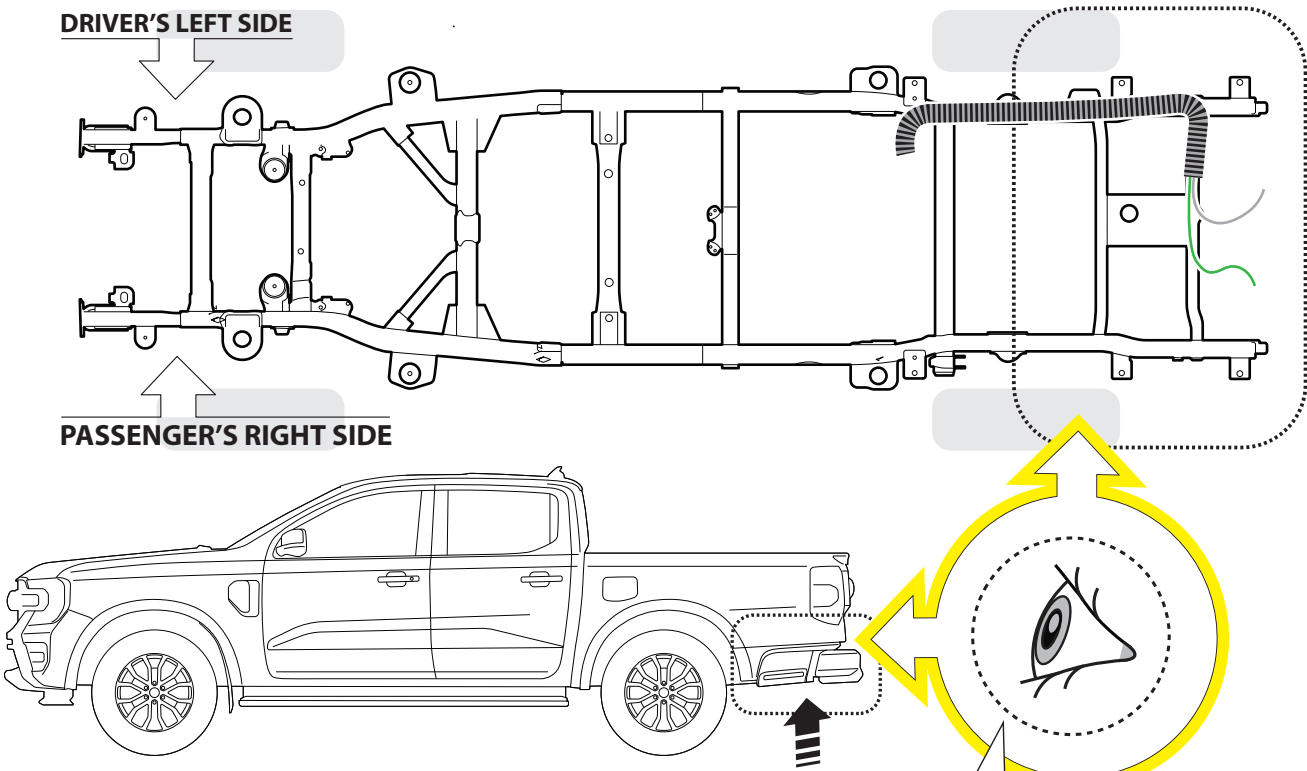
20.2

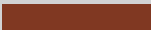
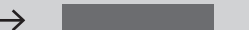


BOTTOM VIEW



DRIVER'S LEFT SIDE

PASSENGER'S RIGHT SIDE

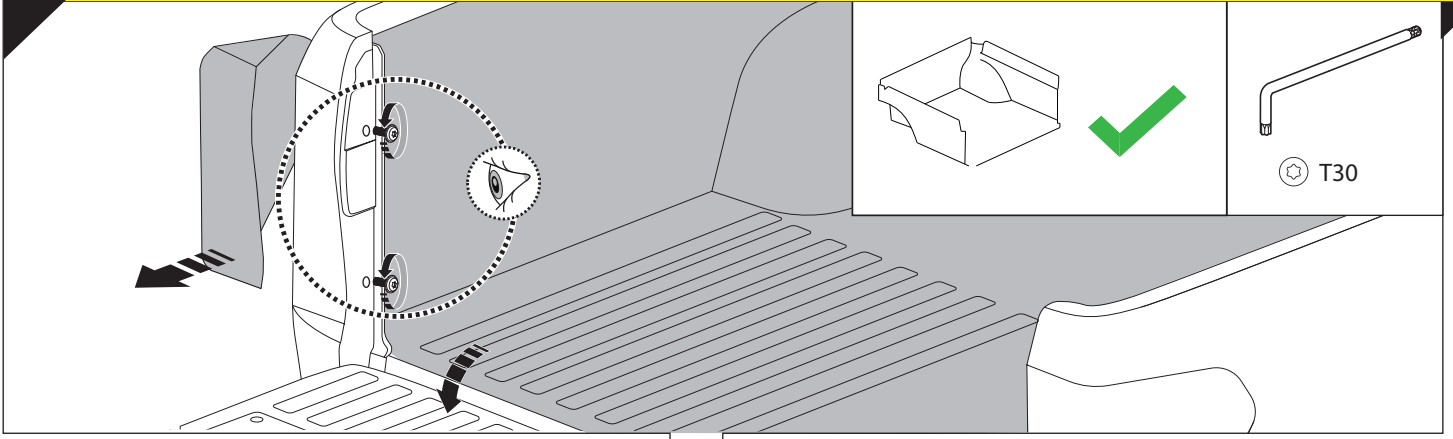


	CAR		TESSERA ROLL+
BEAM		↔	
LICENCE PLATE 2 PIN LIGHT CONNECTOR			
STOP		↔	
TAILGATE CONNECTOR			

21

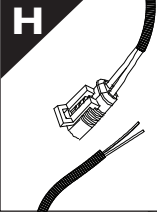


CAUTION: XL, XLT, TREMOR

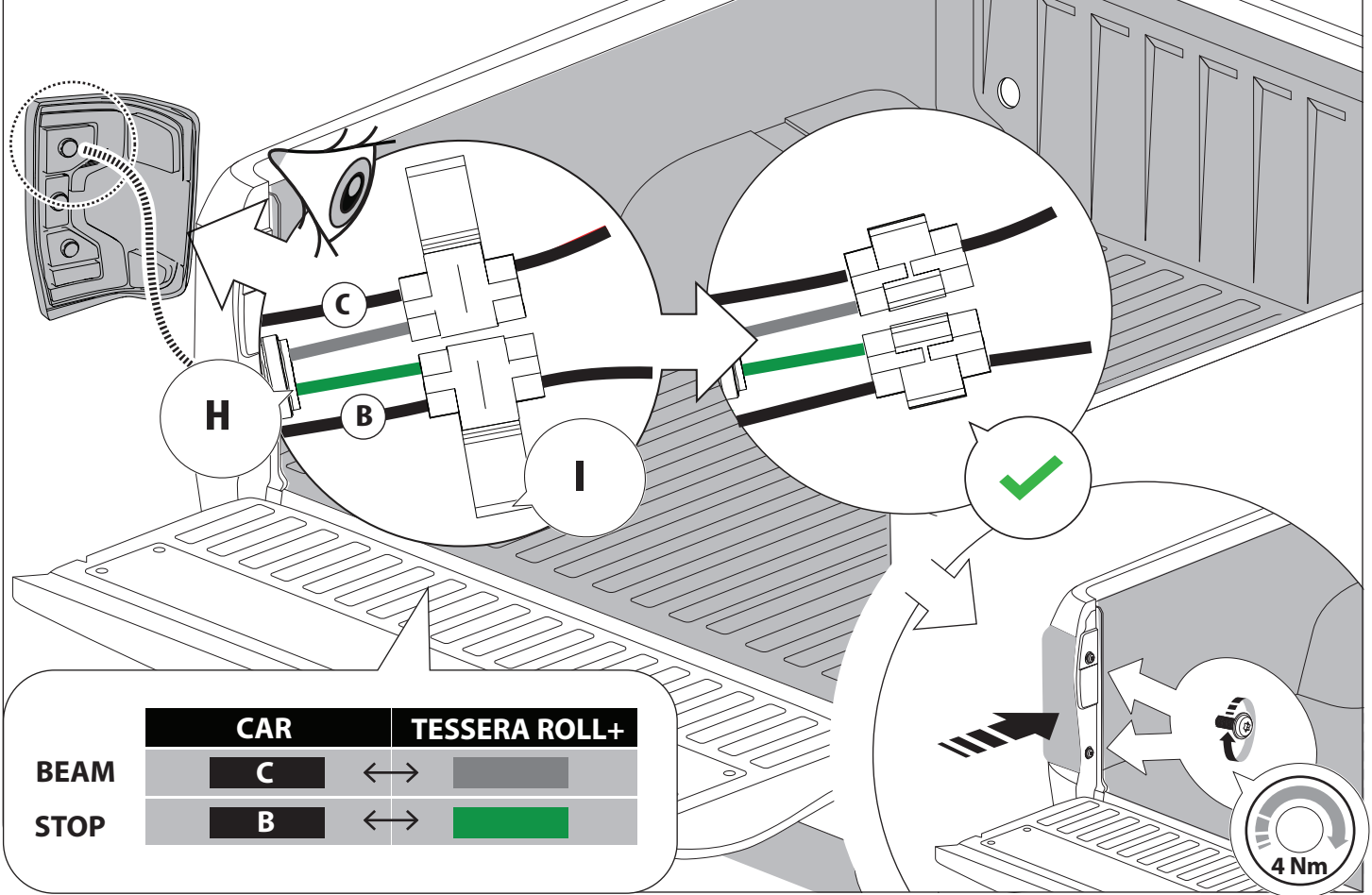
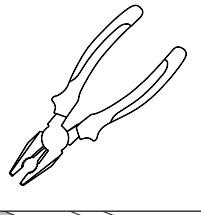
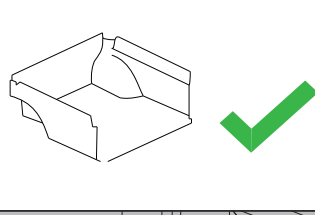
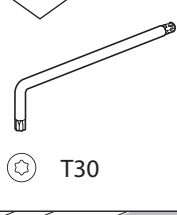
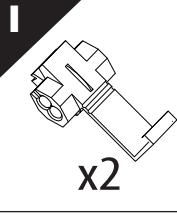


21.0

H

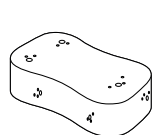
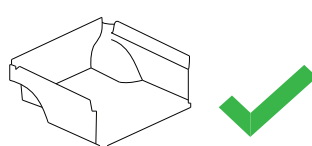
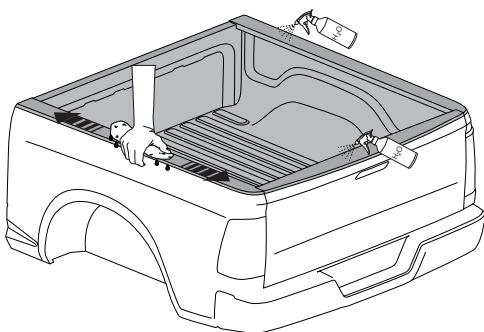


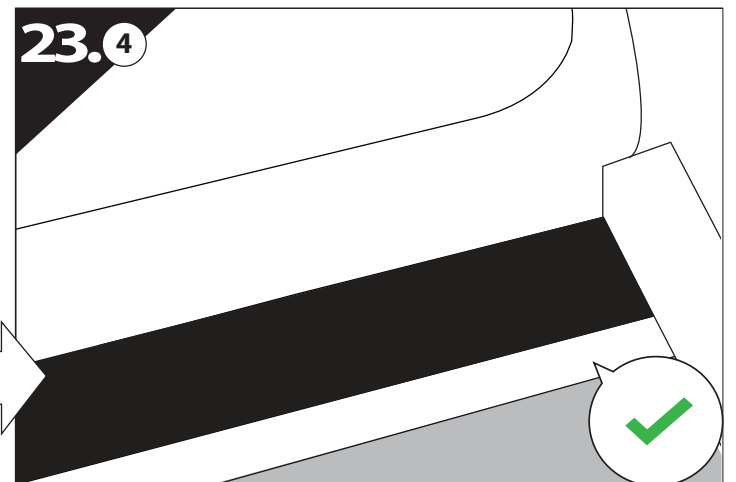
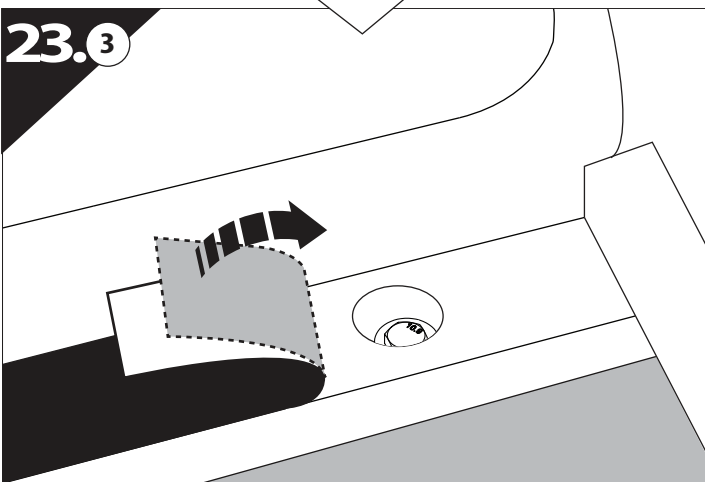
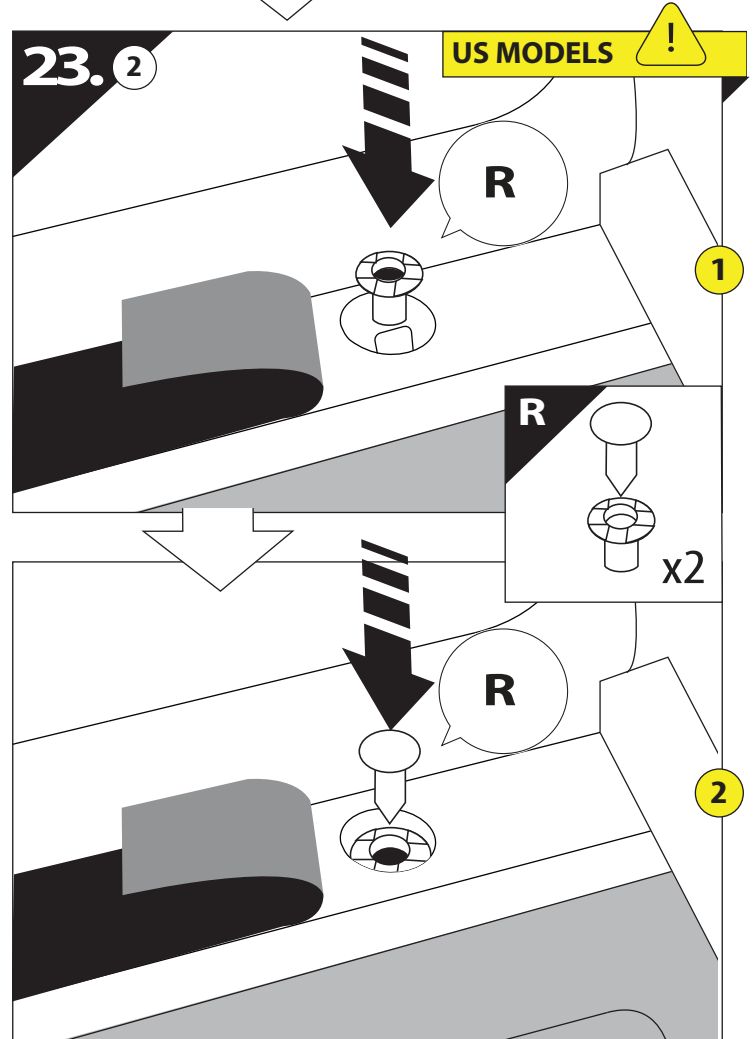
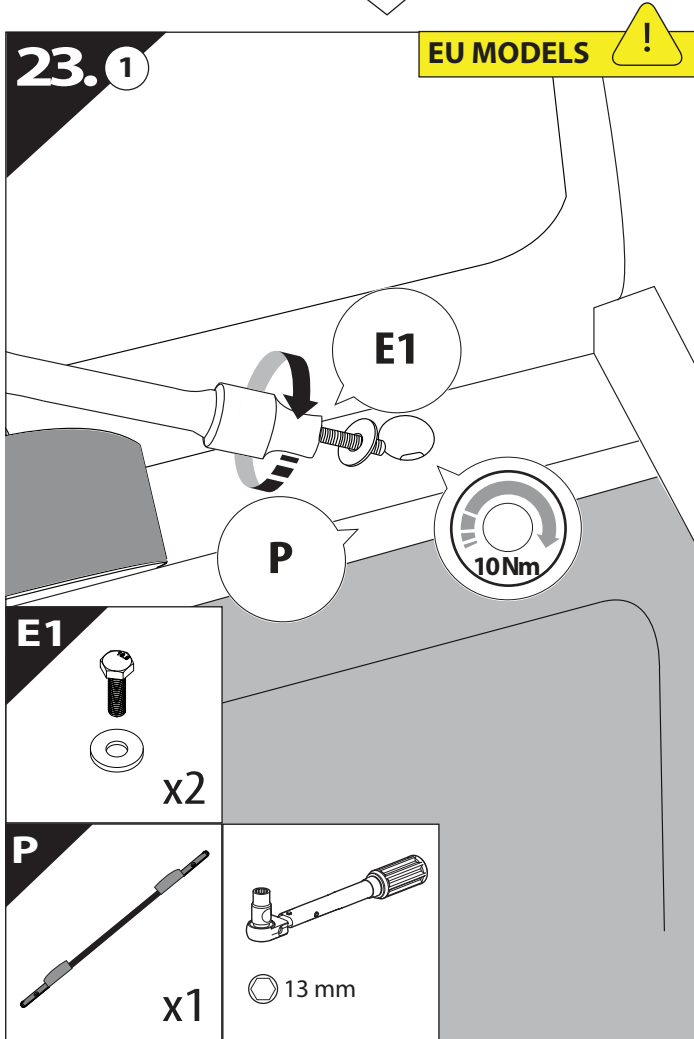
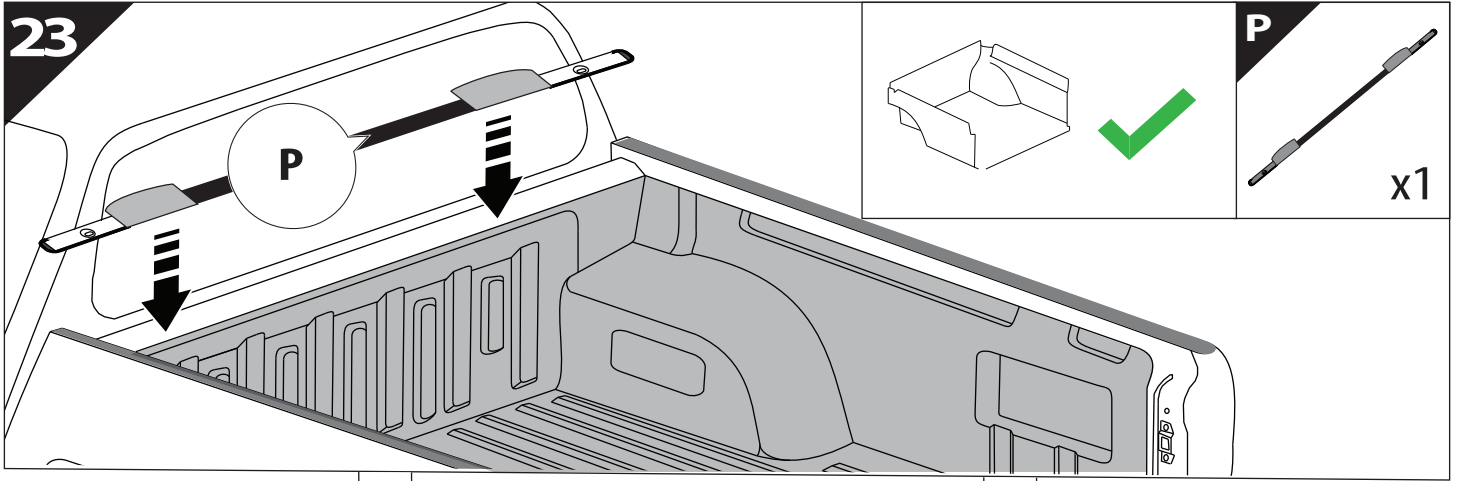
I

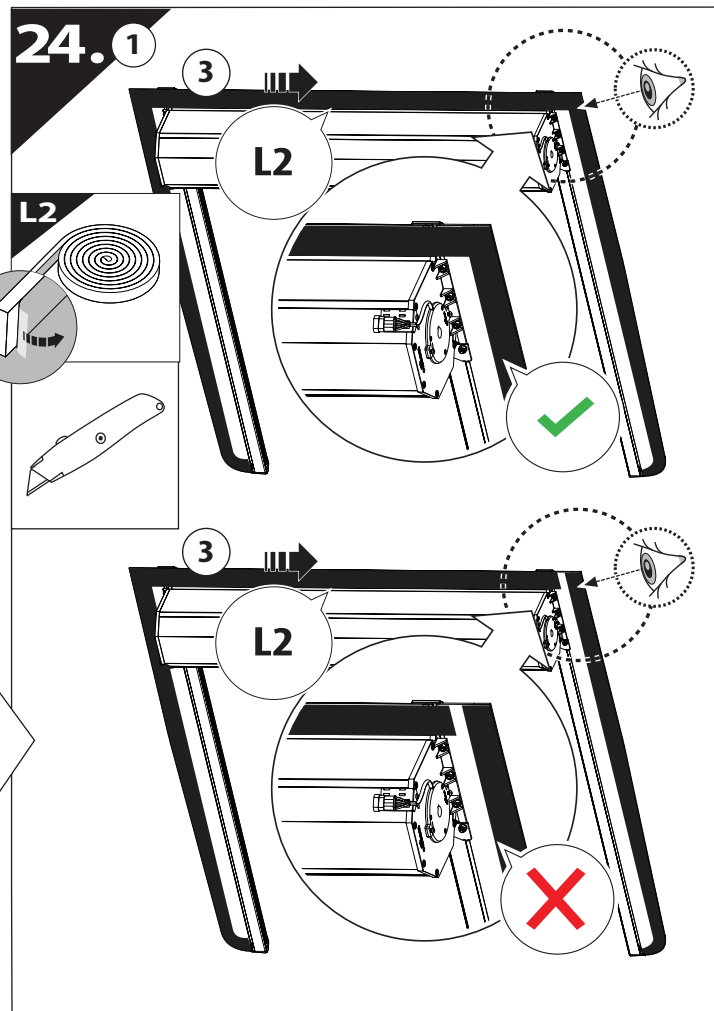
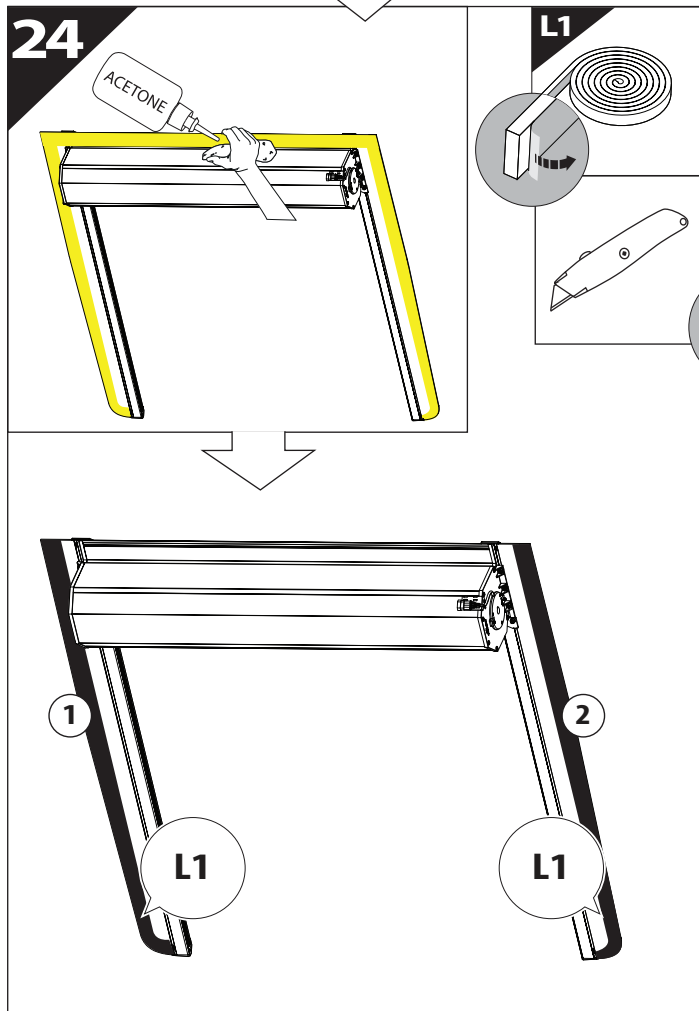
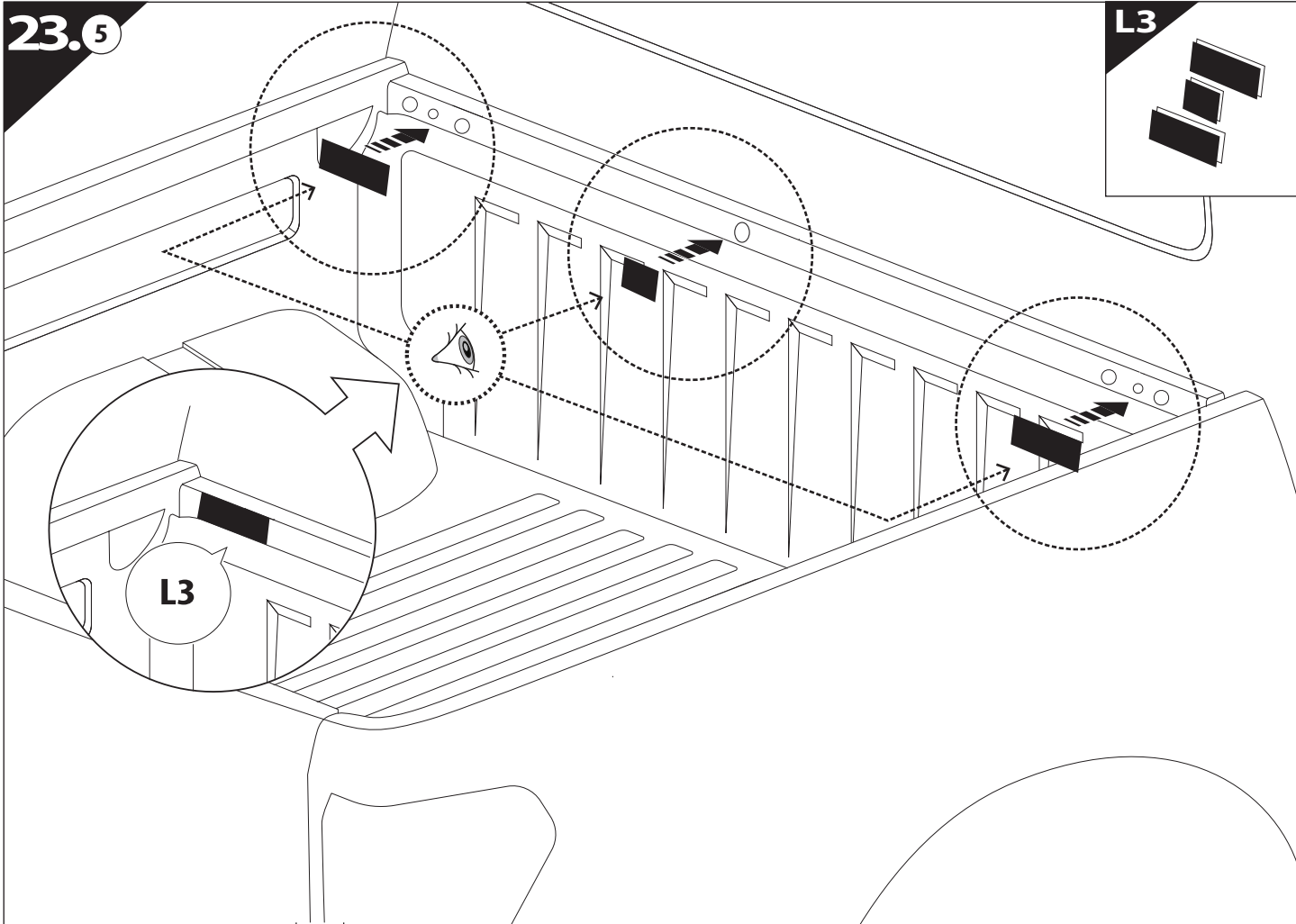


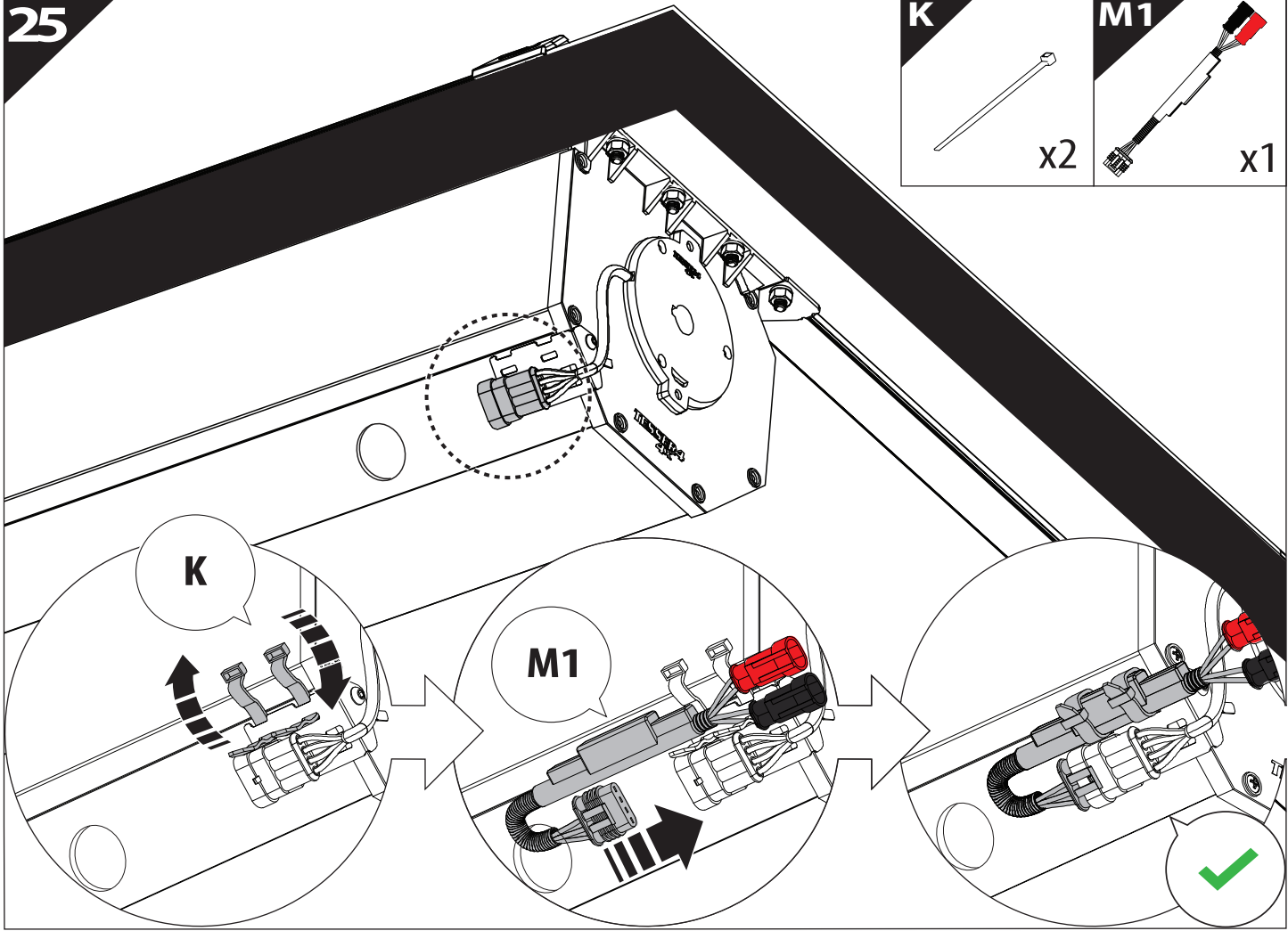
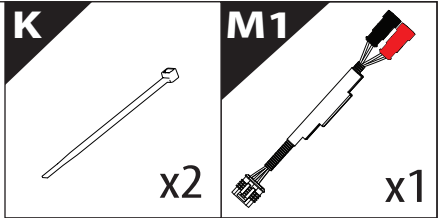
	CAR		TESSERA ROLL+
BEAM	C	↔	■
STOP	B	↔	■

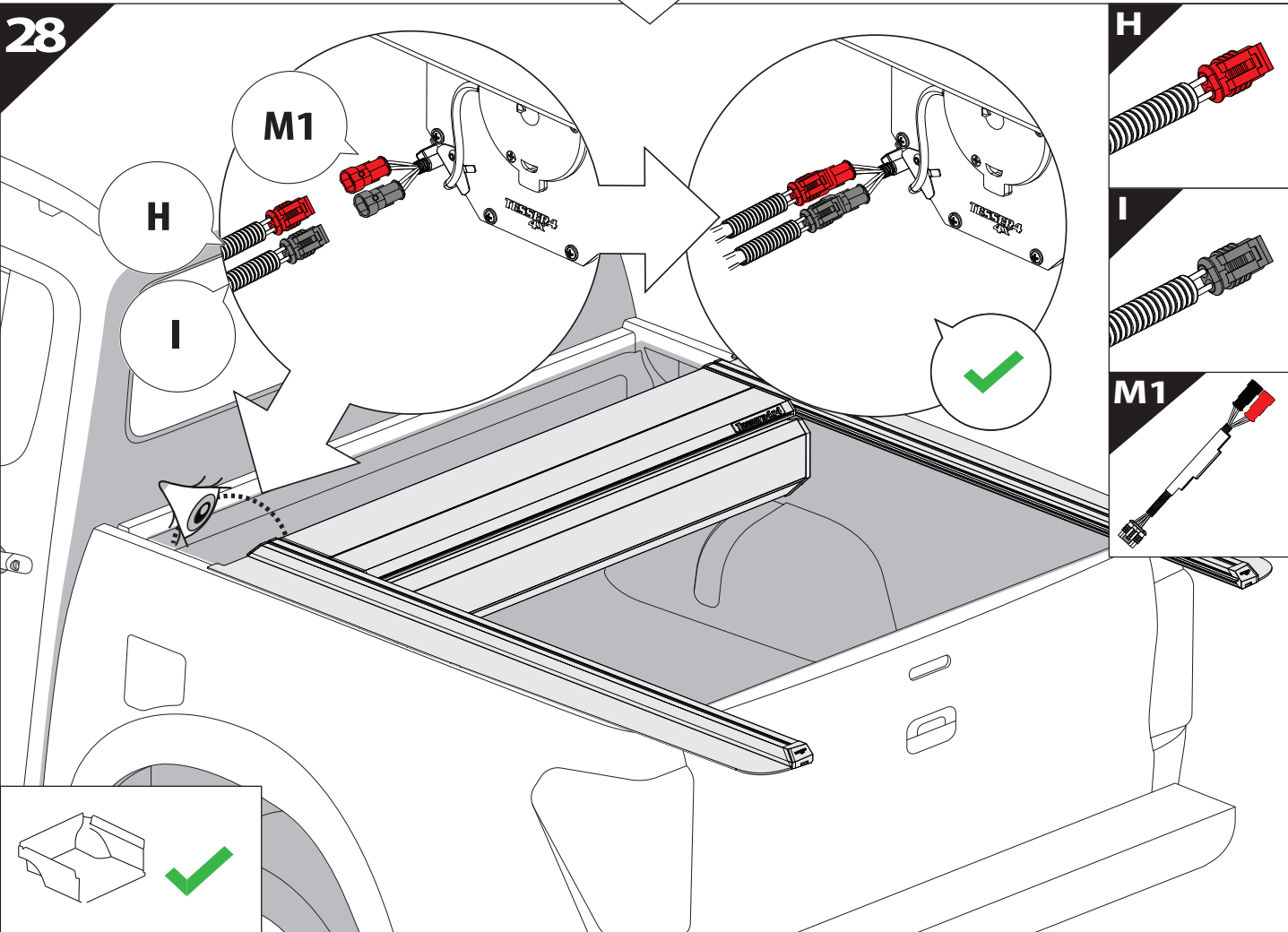
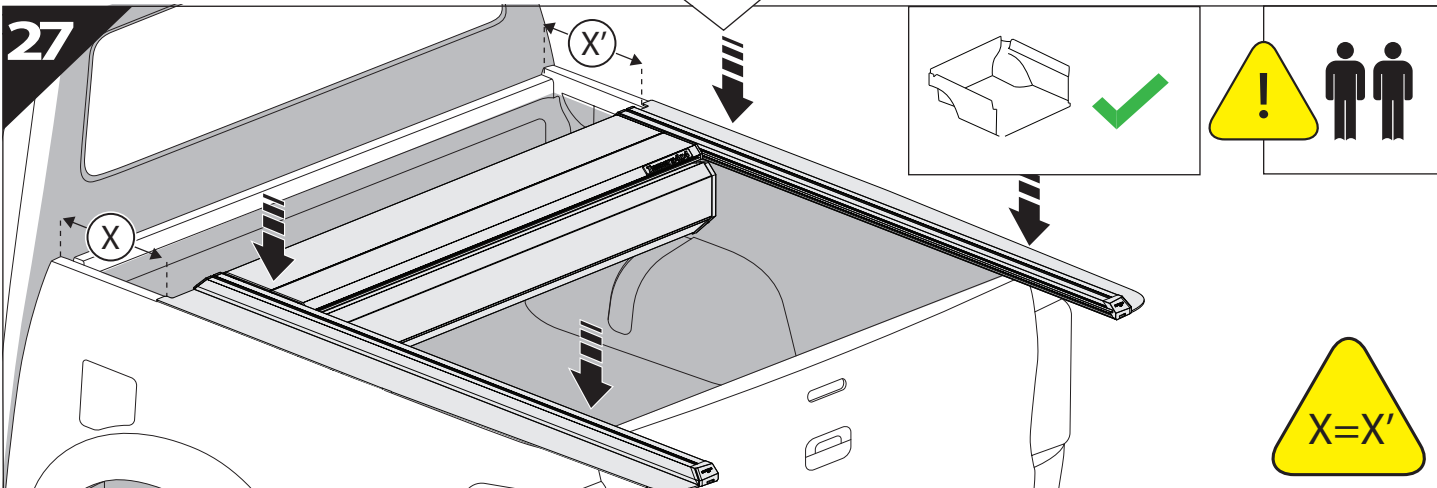
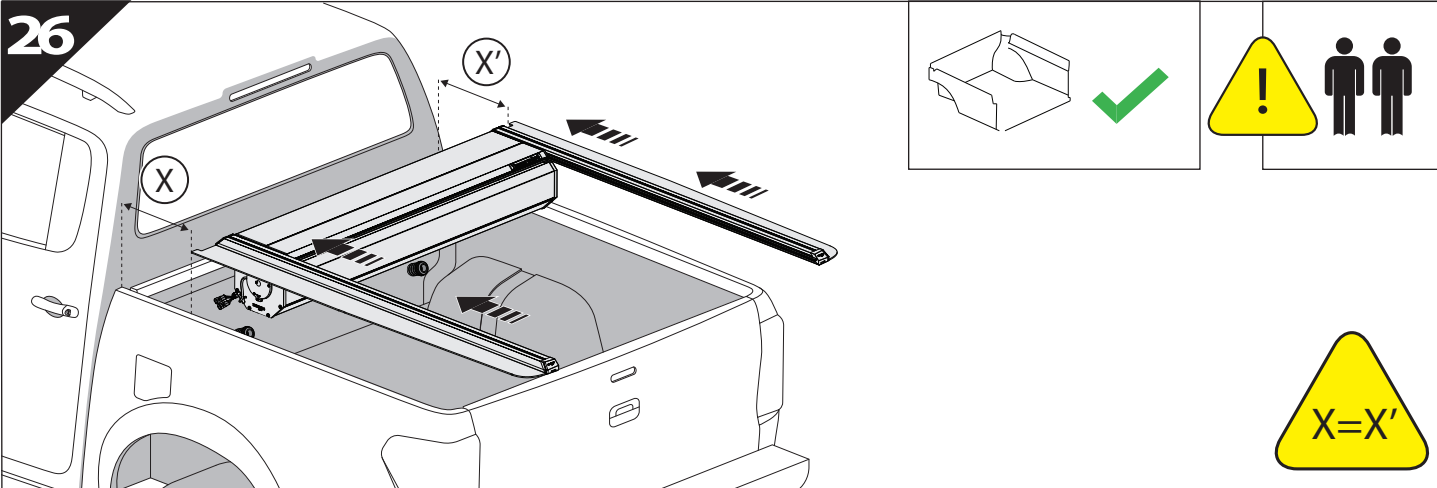
22



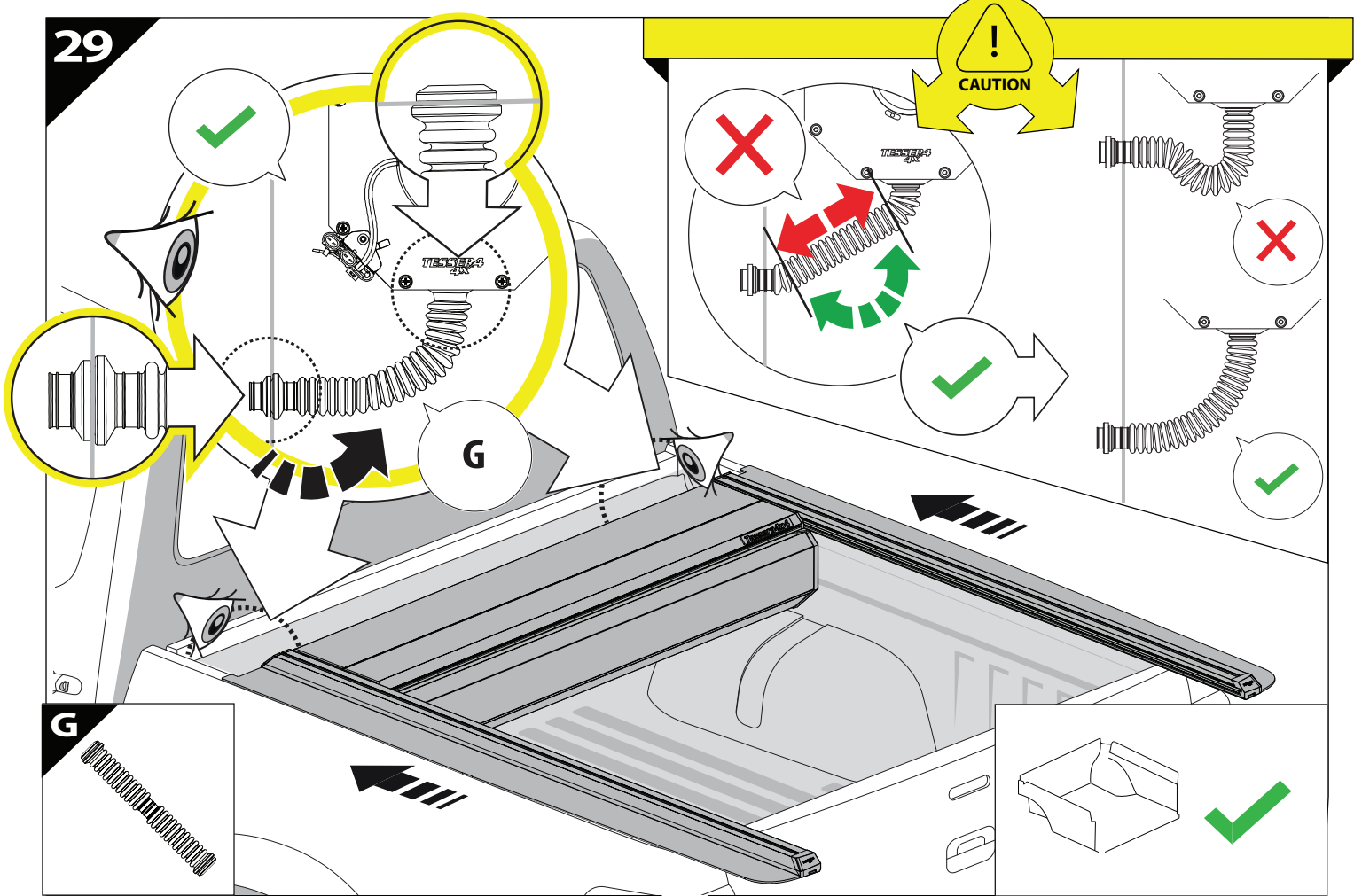




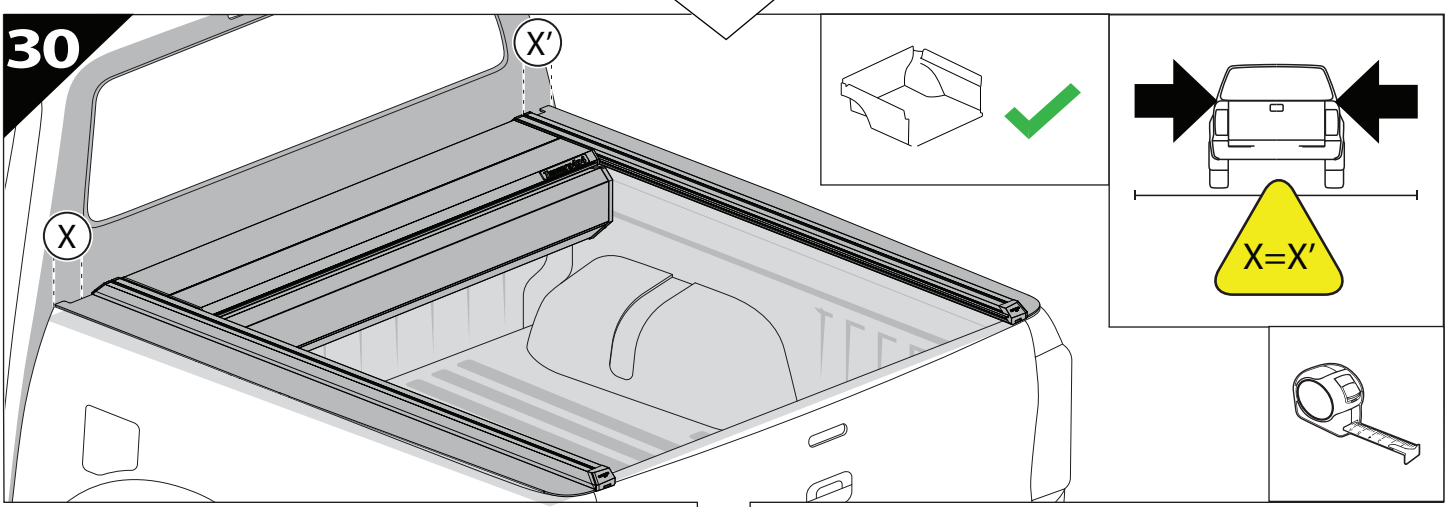




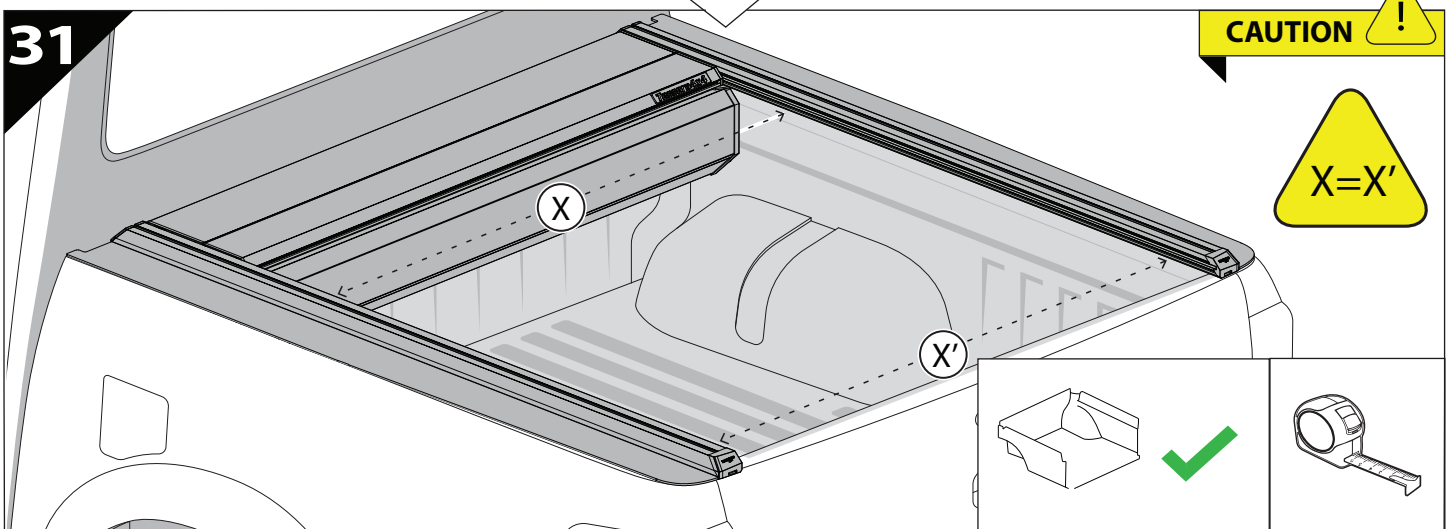
29



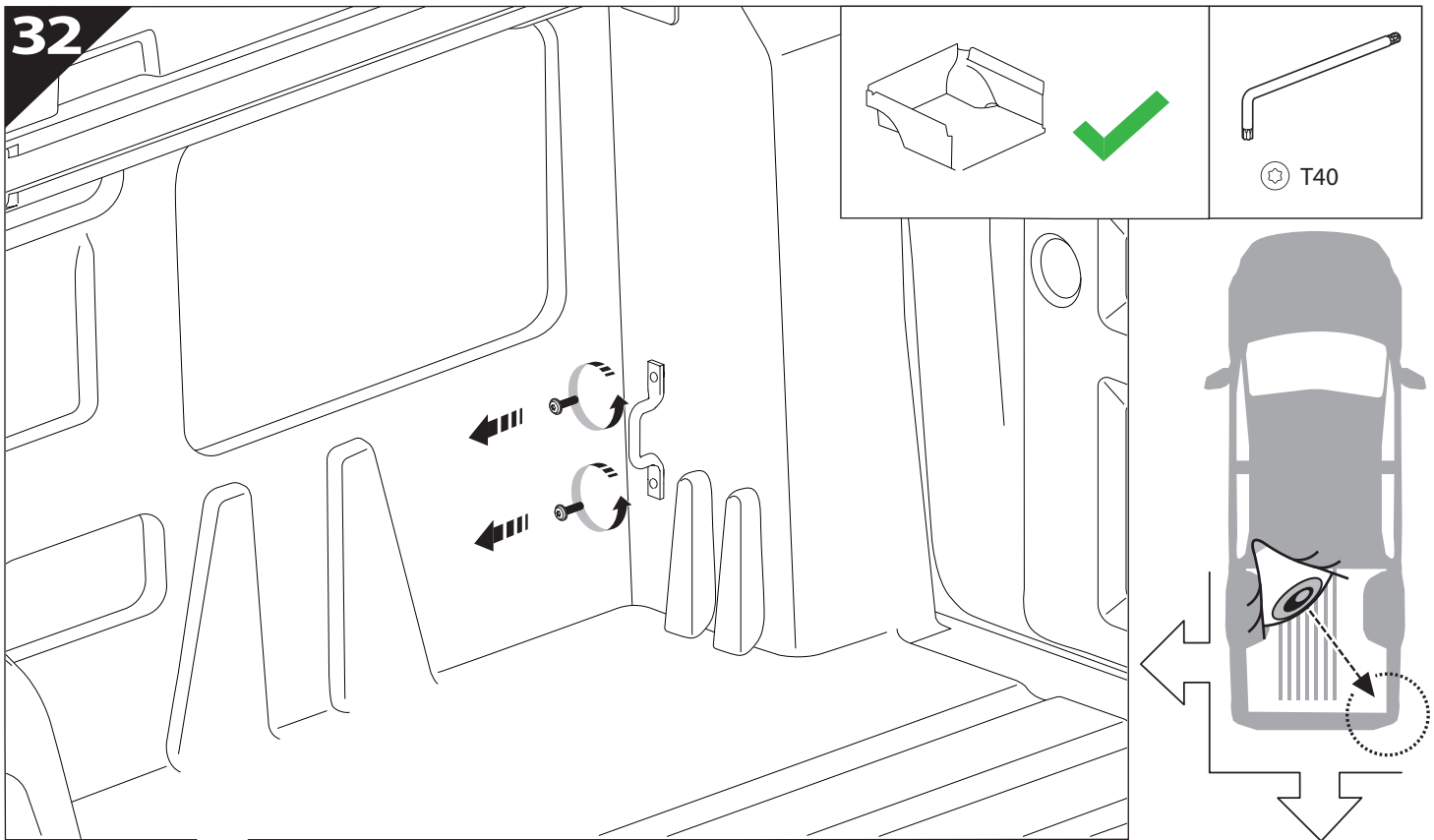
30



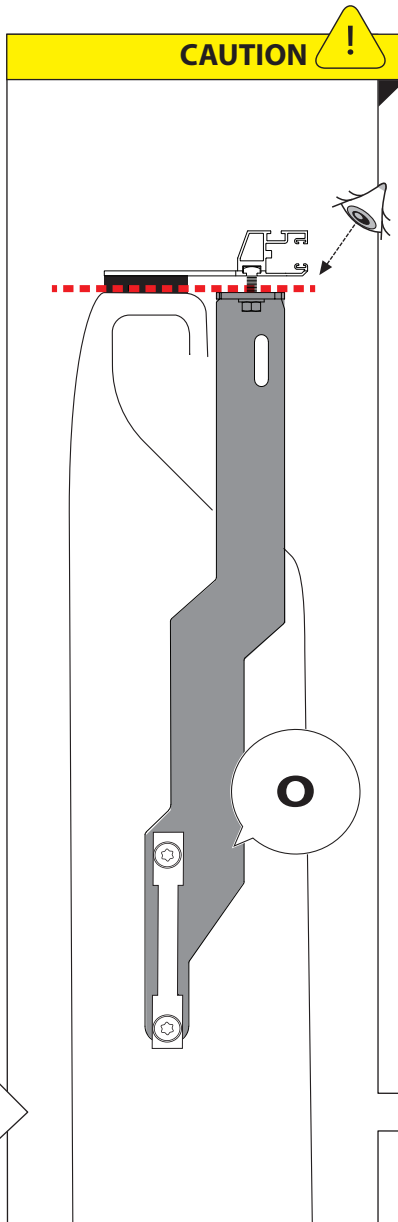
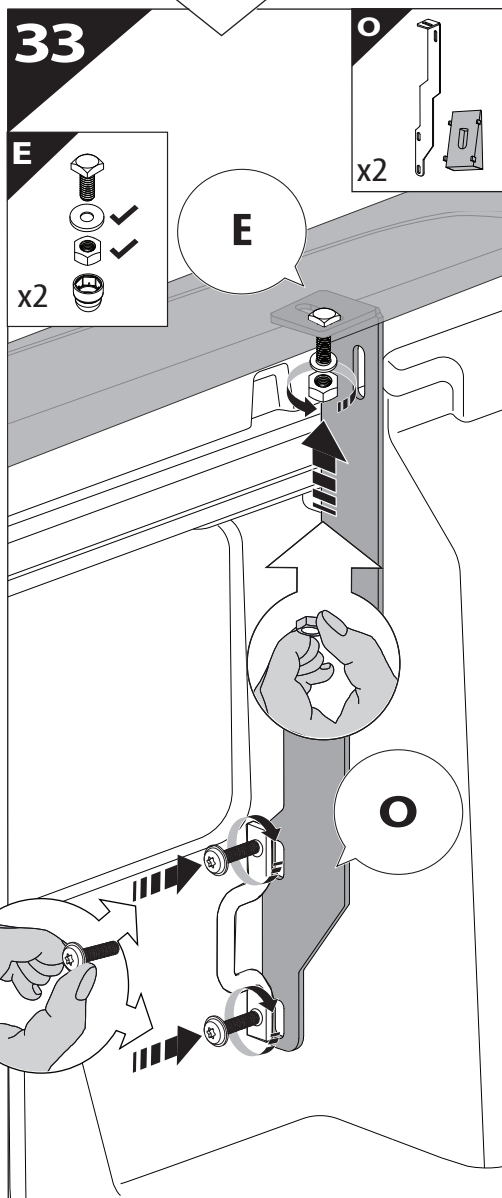
31



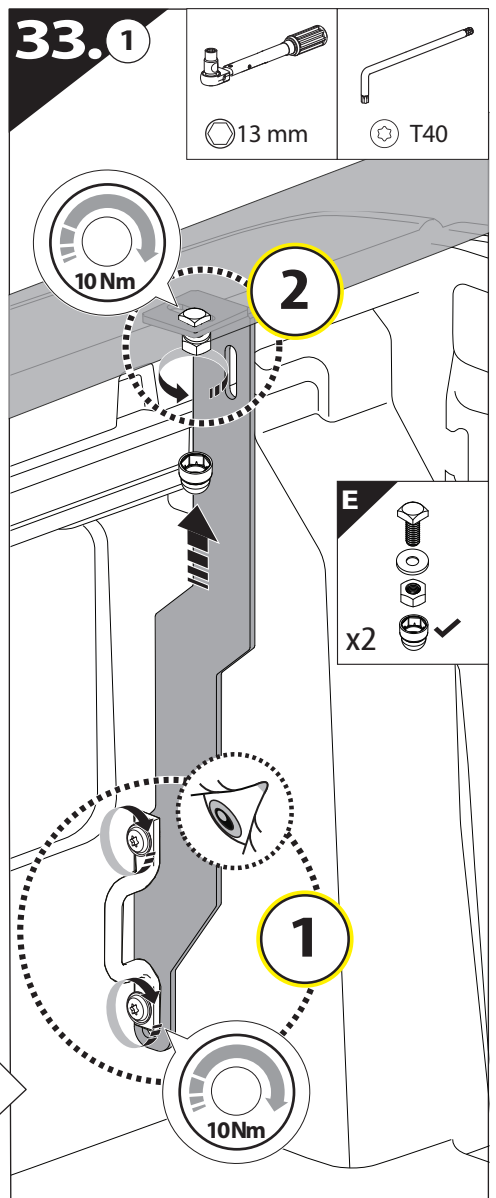
32



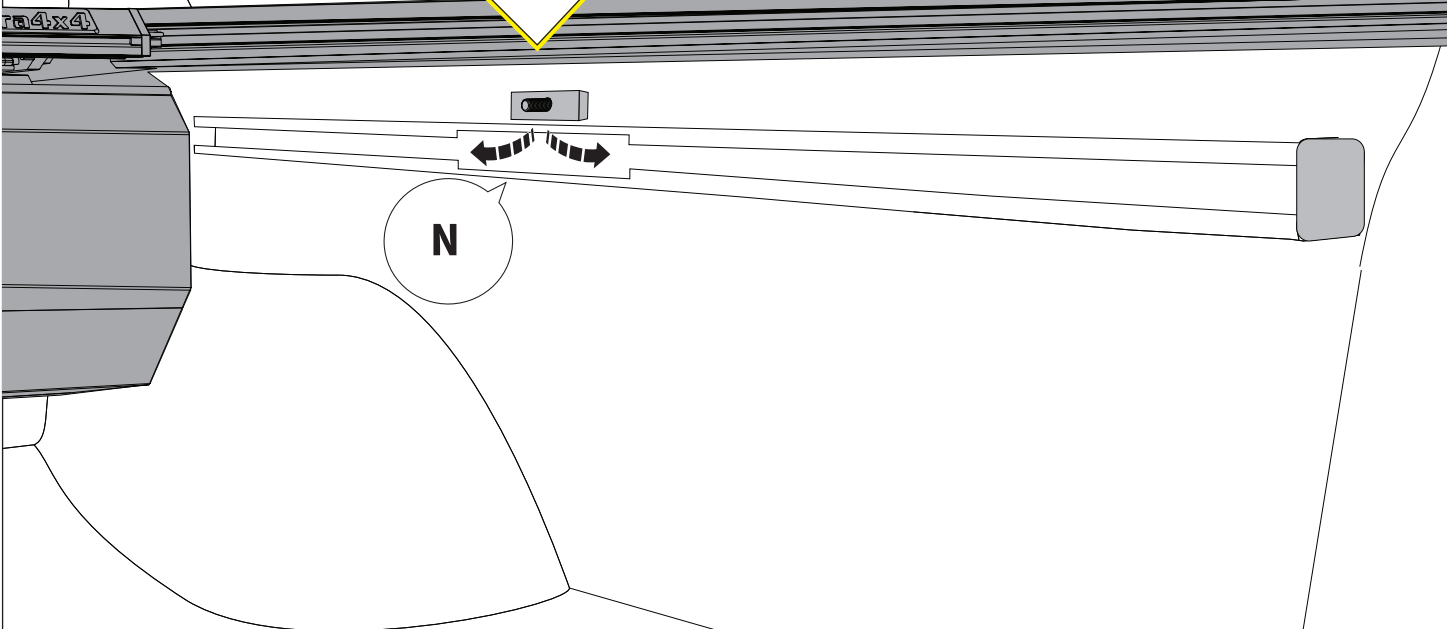
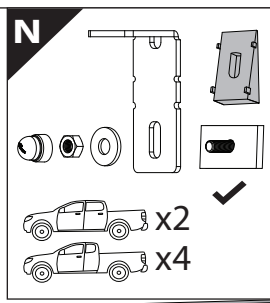
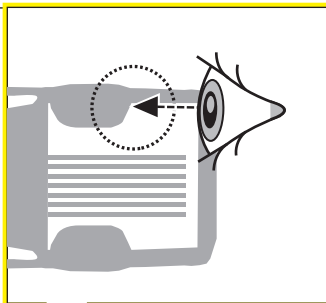
33



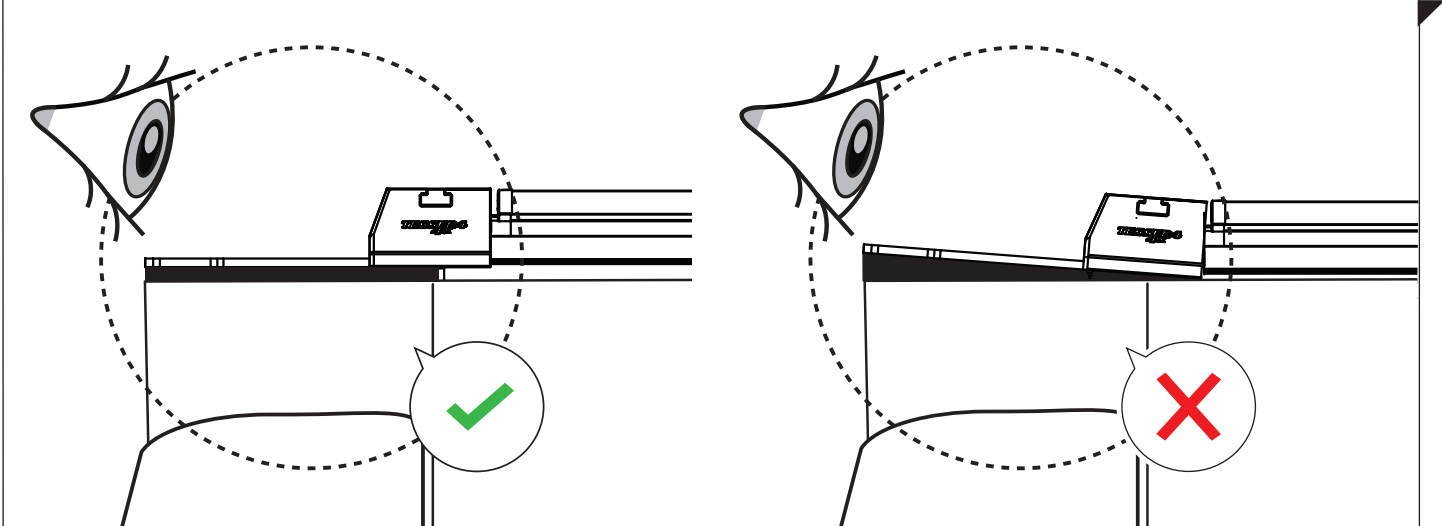
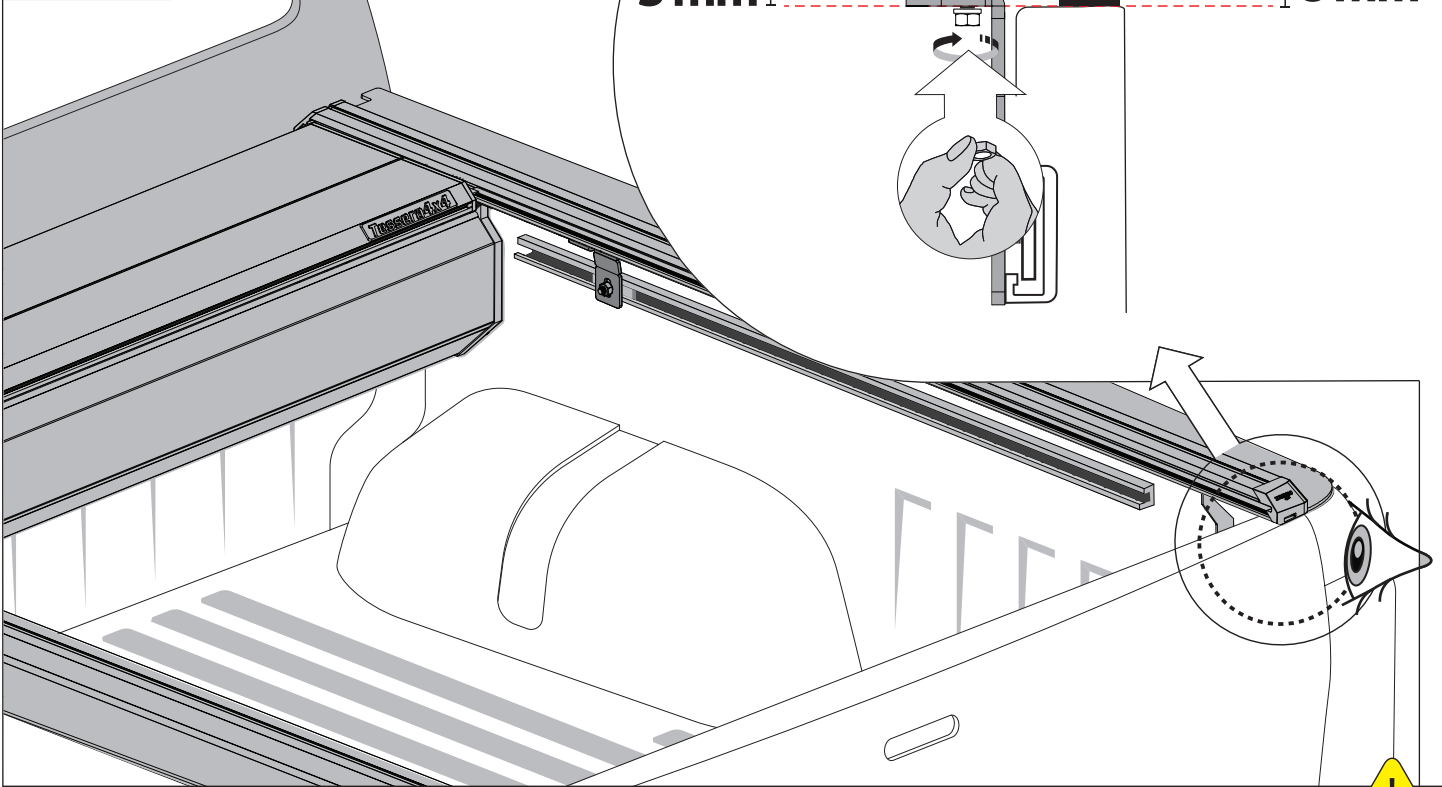
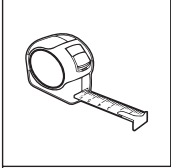
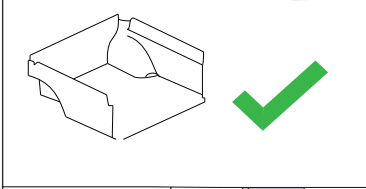
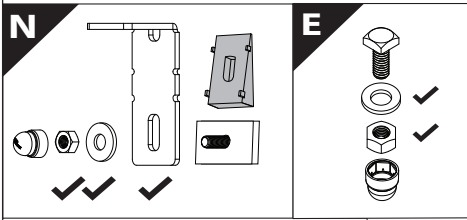
33.1

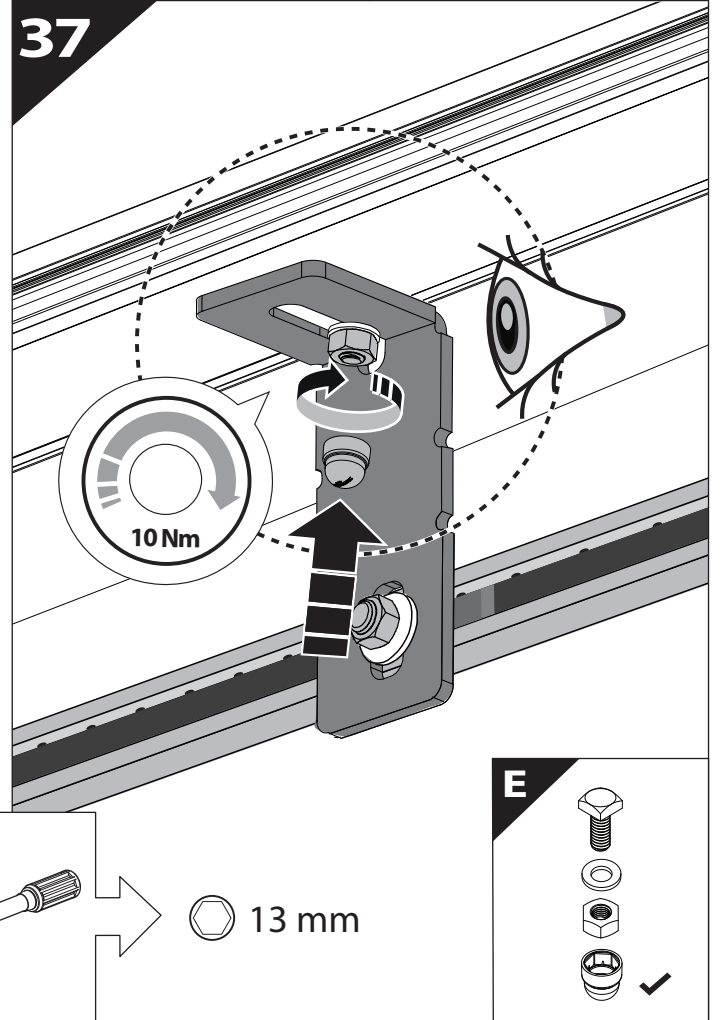
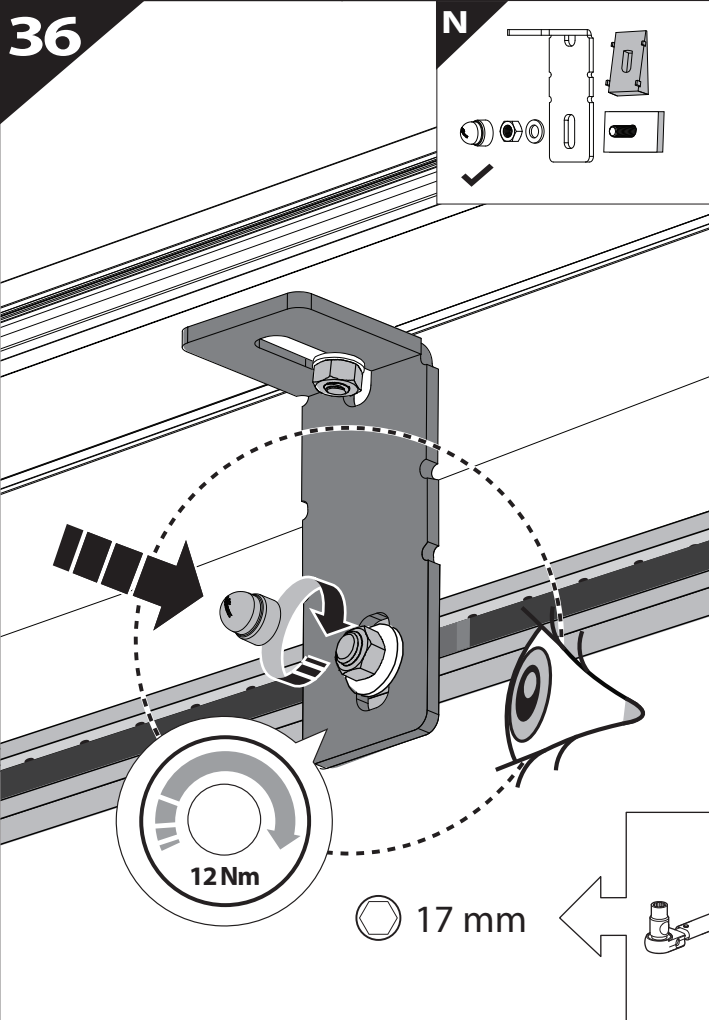


34

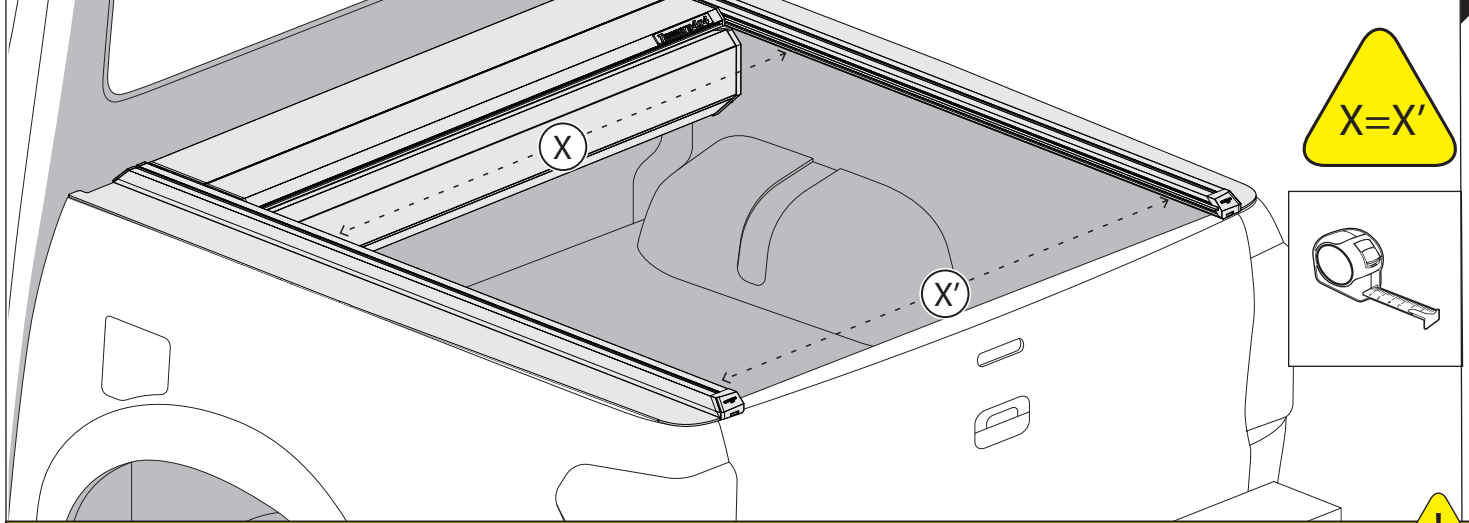


35

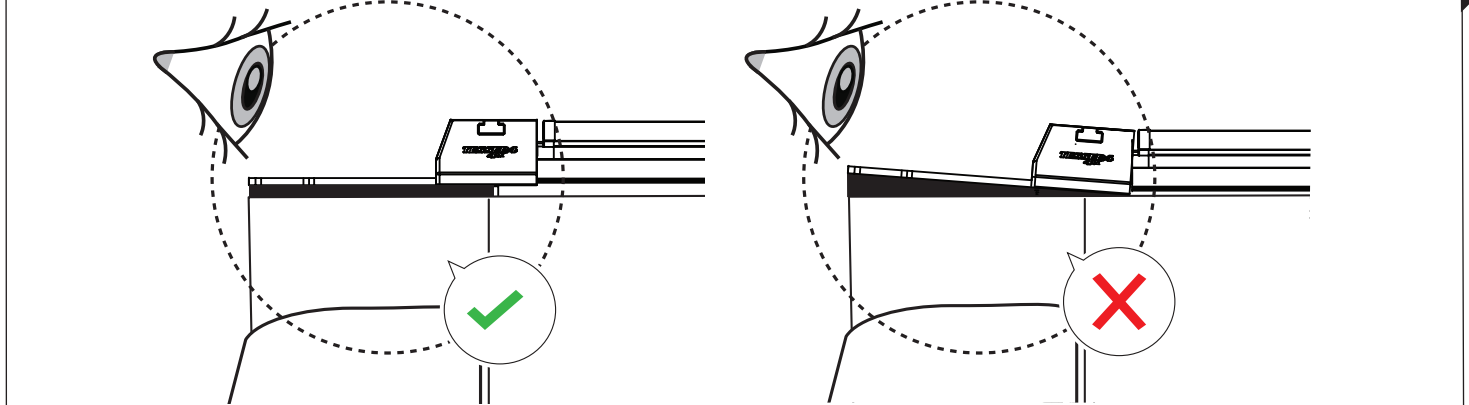


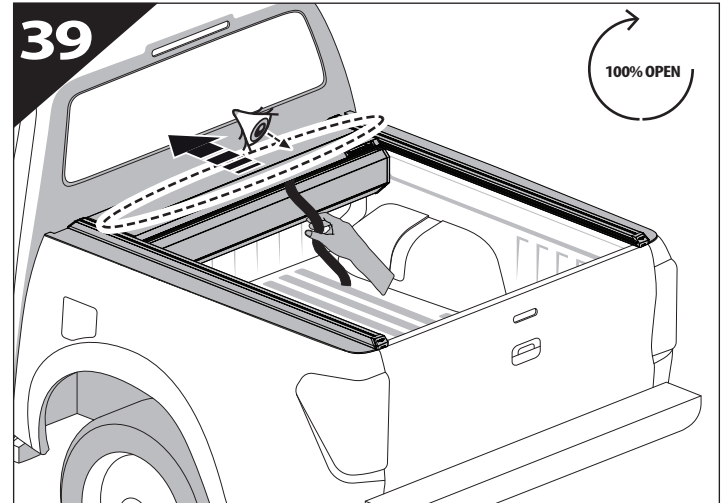
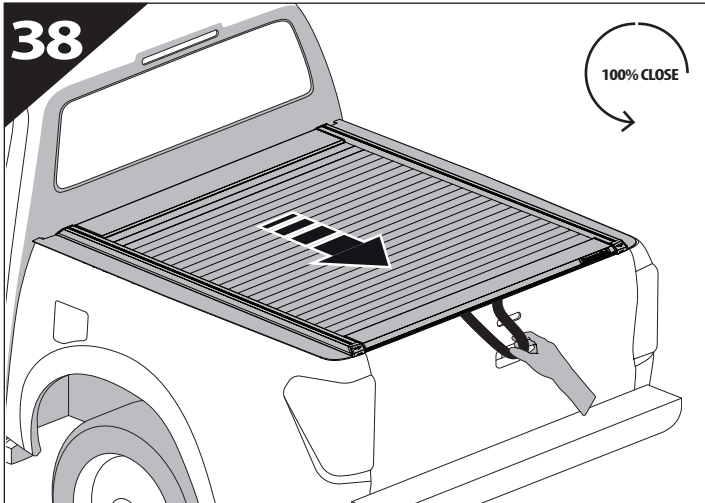


CAUTION !



CAUTION !





GR: Οδηγίες Εγκατάστασης
GB: Installation manual
SF: Asennusohje
F: Notice de montage
PL: Instrukcja montażu
NL: Installatie-instructies
TR: Montaj Talimatı
S: Monteringsanvisning
E: Instrucciones de montaje

H: Szerelési utasítás
P: Instruções de instalação
RUS: Инструкция по установке
N: Monteringsveiledning
D: Einbauanleitung
CZ: Návod k instalaci
I: Istruzioni de montaggio
DK: Monteringsvejledning
RO: Instructiuni de instalare

Customer Service:

+30 (210) 5541161, +30 (210) 5541154 (08:00 - 16:00 EET)

Support department:

info@gianso.gr

Website:

www.tessera4x4.com

Address:

19.5 km of National road Athens-Korinthos (Elefsina) Greece, P.C: 19200