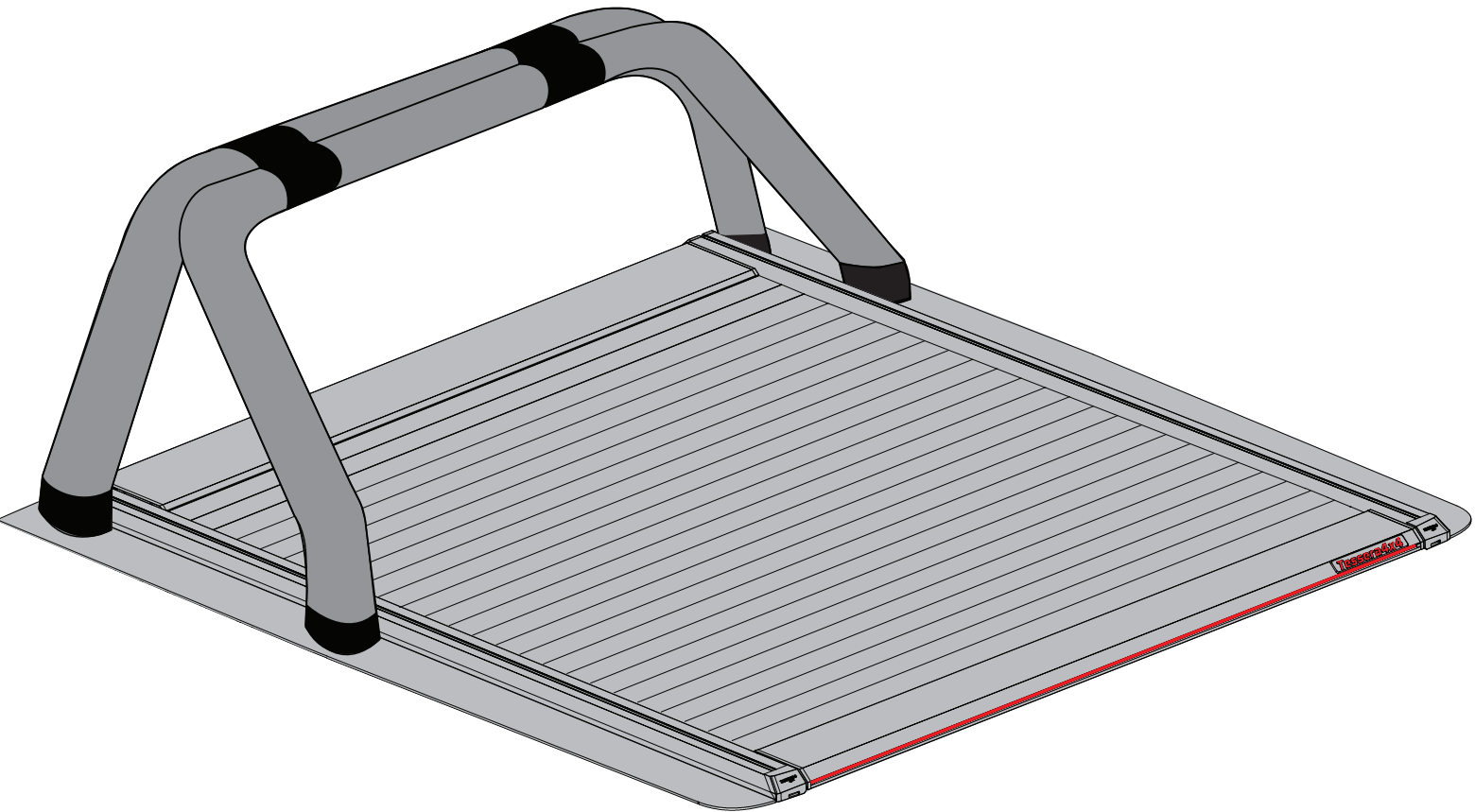


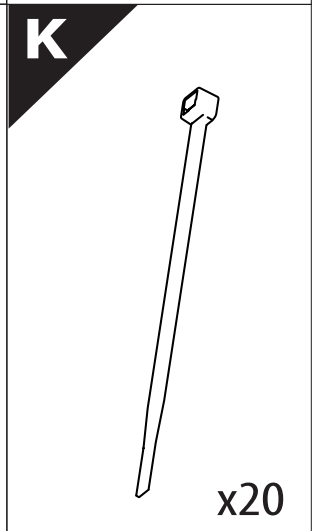
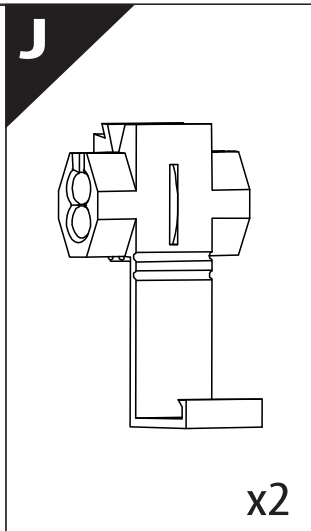
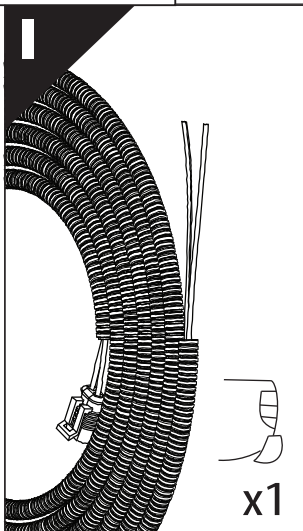
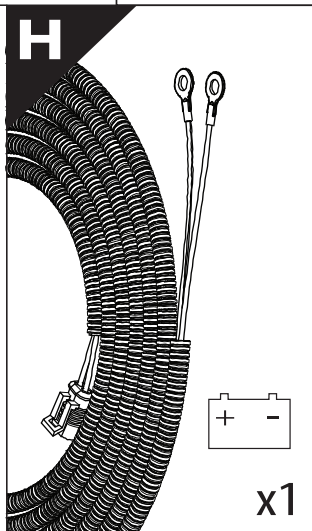
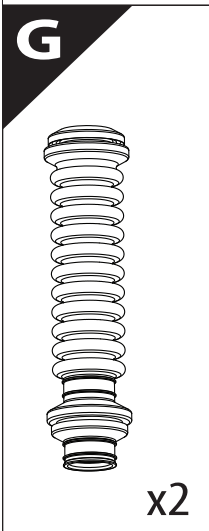
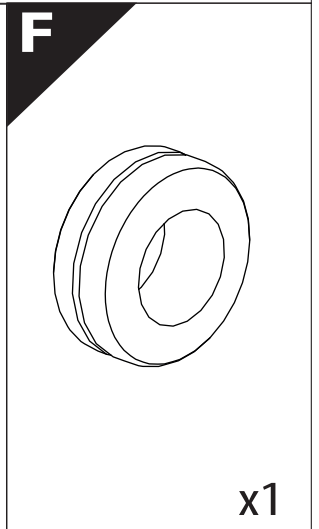
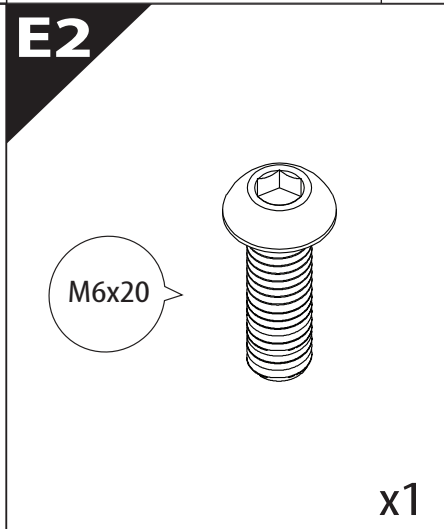
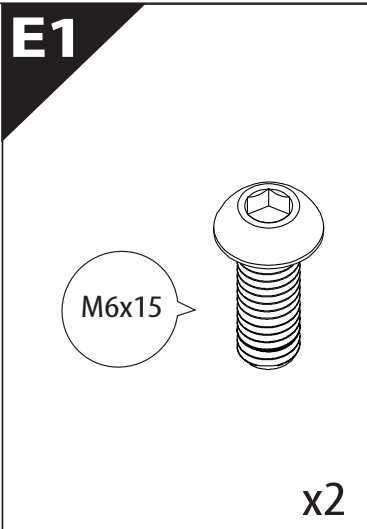
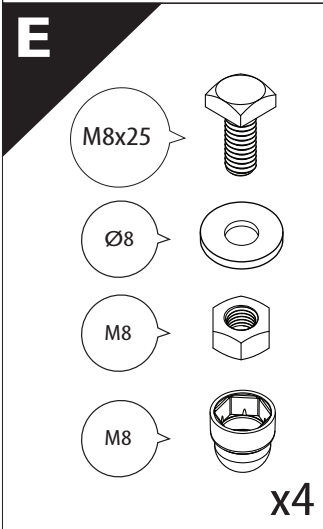
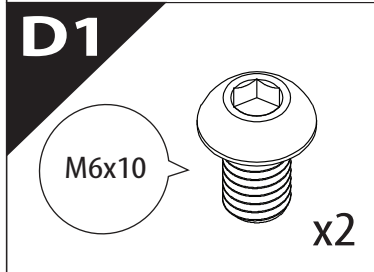
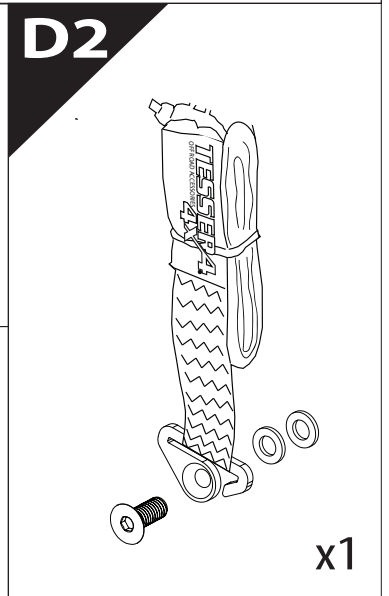
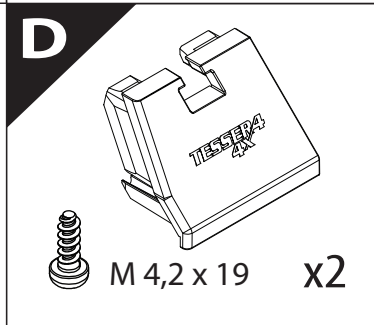
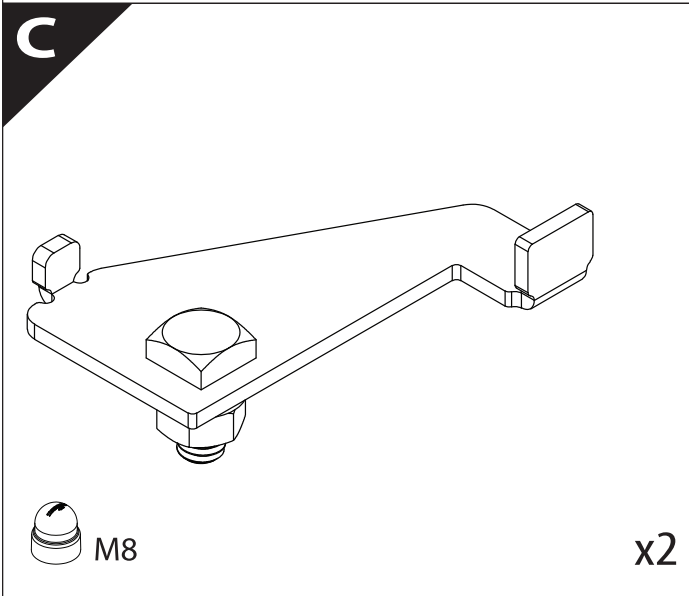
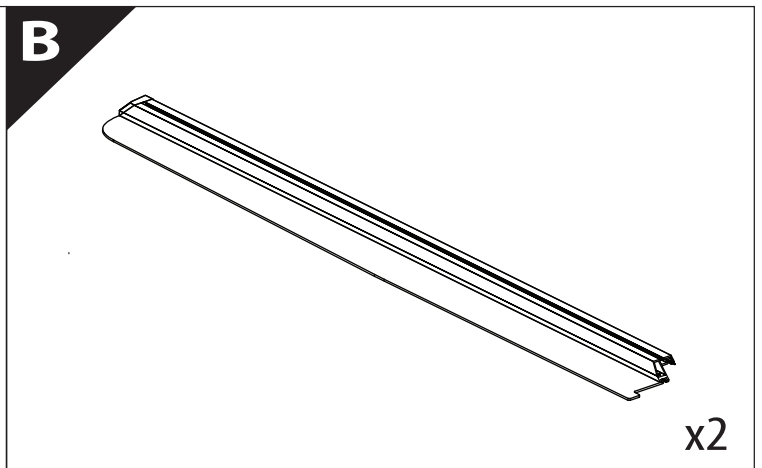
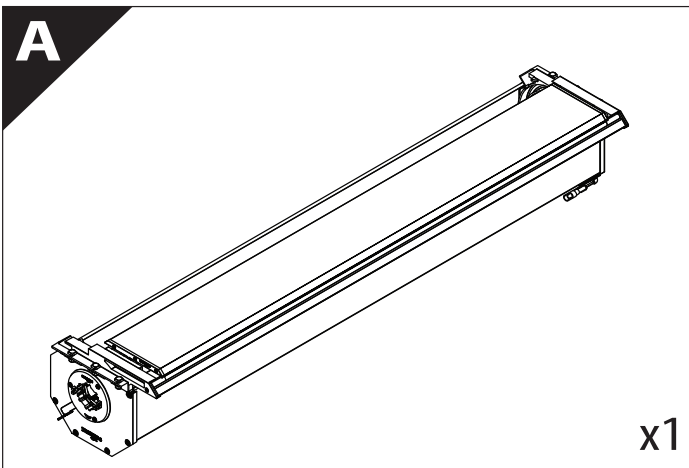
Tessera Roll+

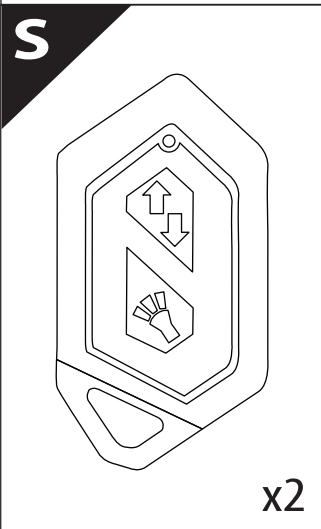
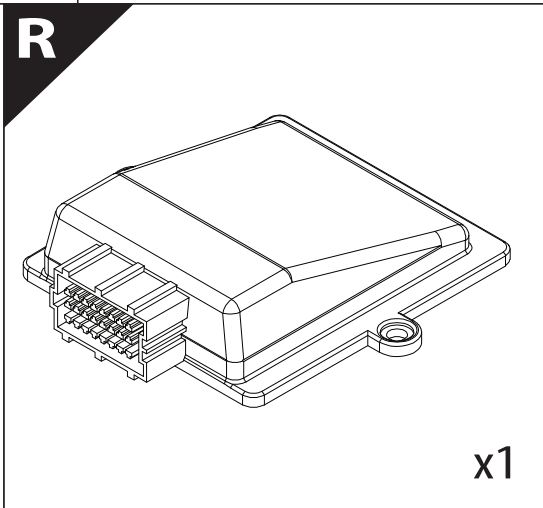
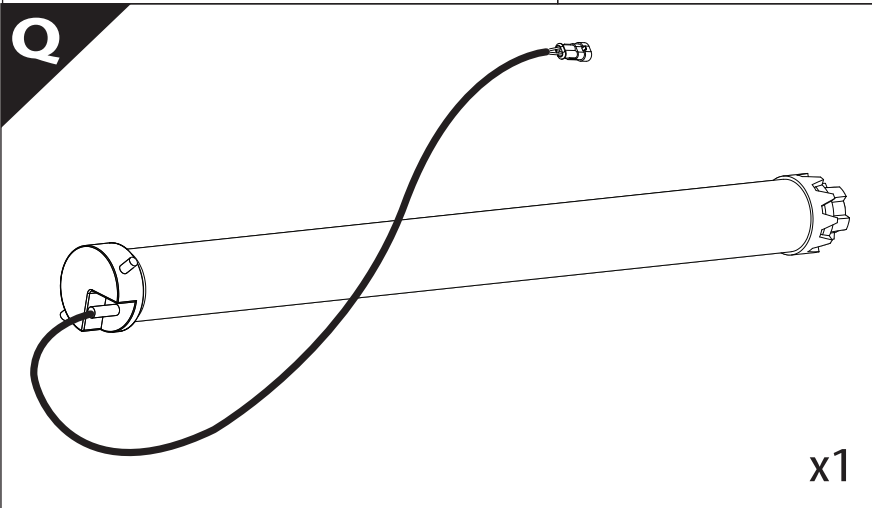
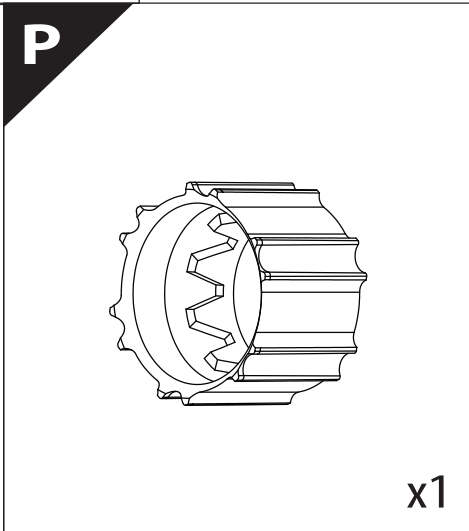
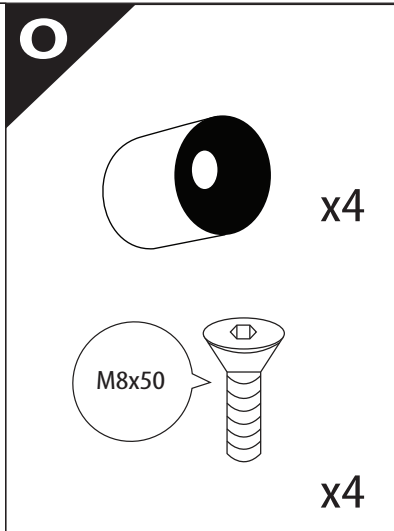
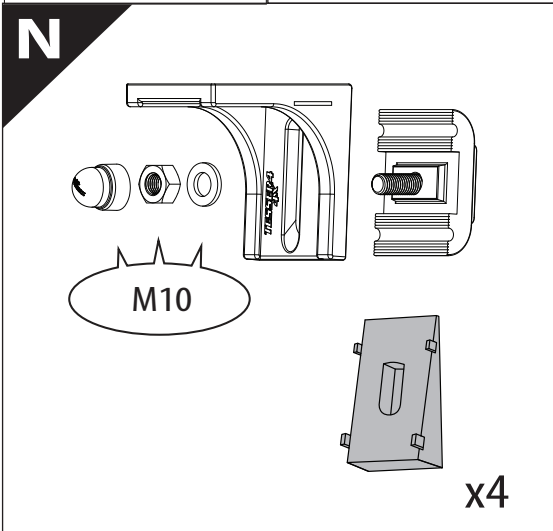
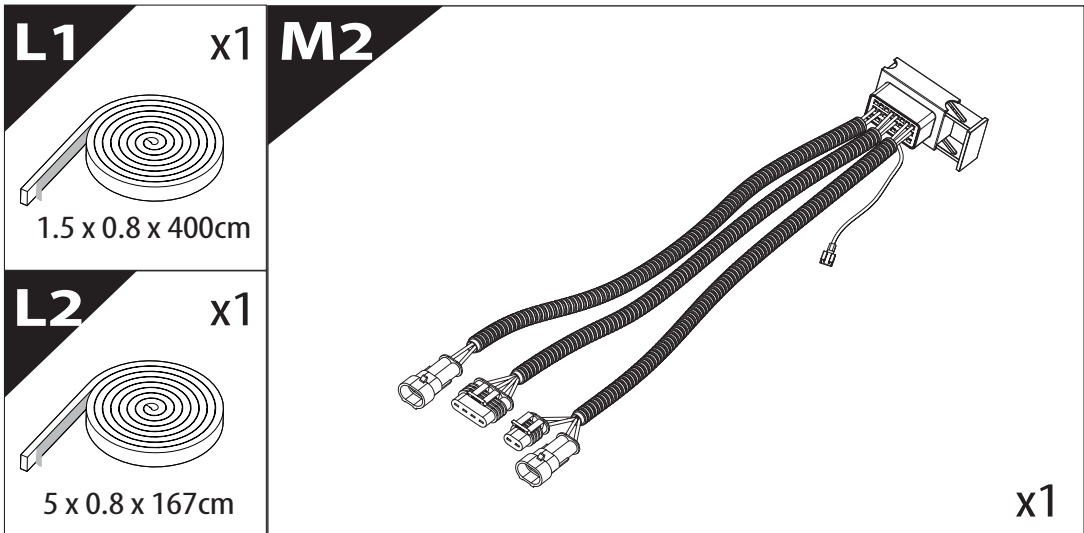
Basic Version + ⚡ E-KIT

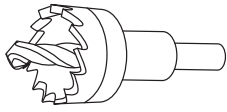


Installation Manual

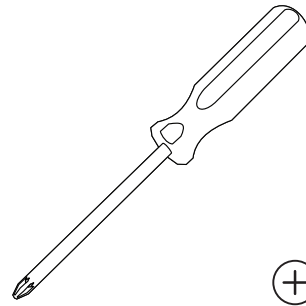
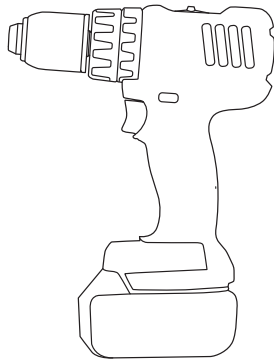
PART NUMBER(S)	Model Year
TESS 1401 ROLL+ ADAPT 006 +E-KIT	VW Amarok WITH OEM ROLL BAR 2010-2021
Cab(s)	Installation Time / Weight
Double Cab	40-60 minutes / 53-57 kg



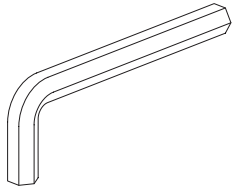
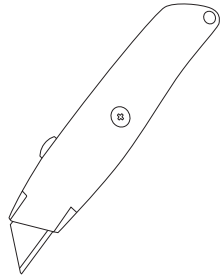
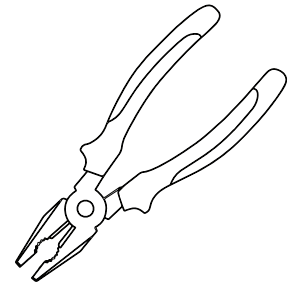




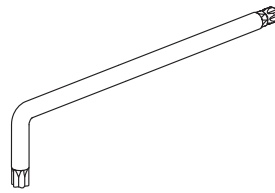
Ø 25 mm / Ø 40 mm



+

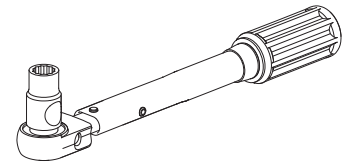


4, 5, 6 mm



T 30

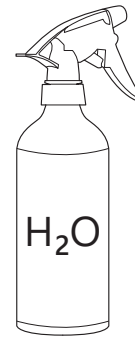
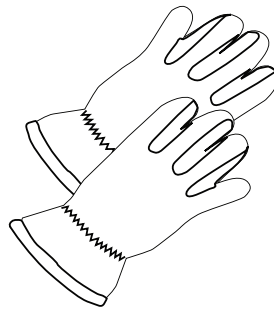
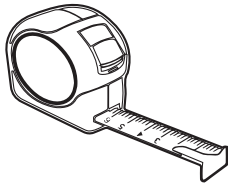
1 - 25 Nm



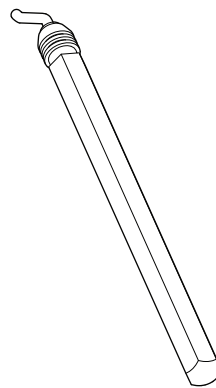
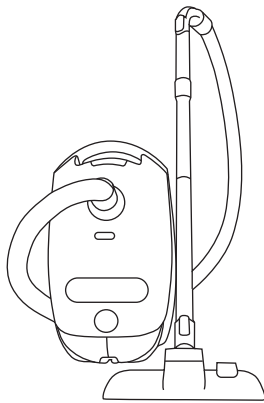
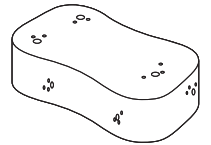
10, 12, 13, 17 mm



ACETONE



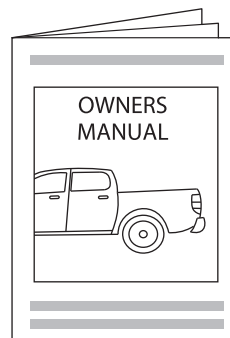
H₂O



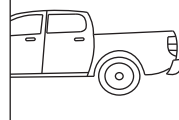
ANTI-RUST



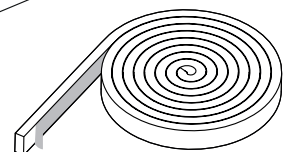
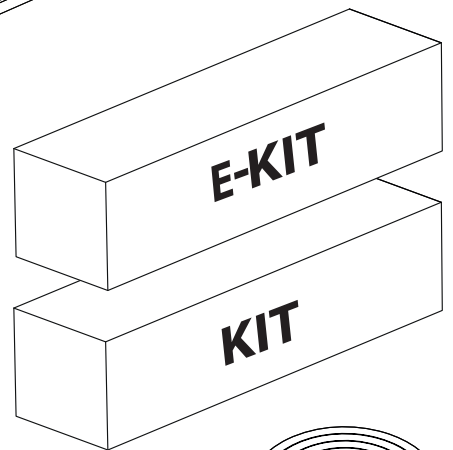
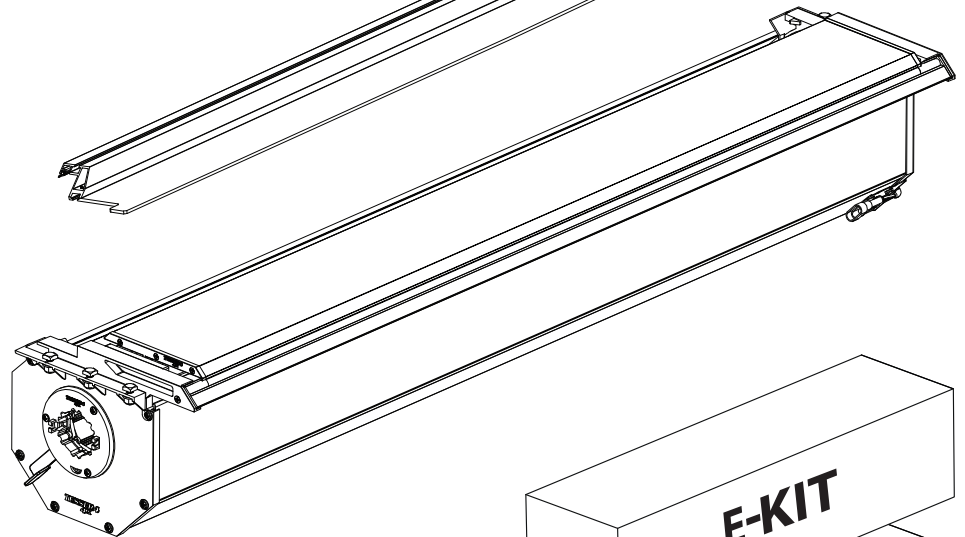
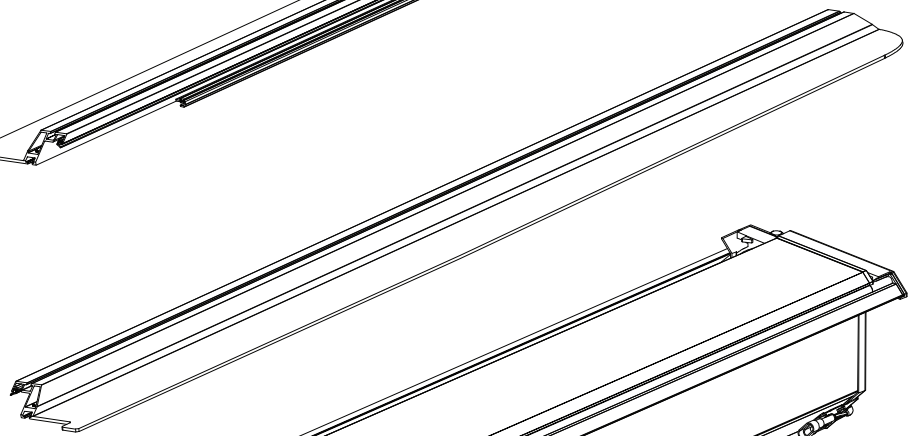
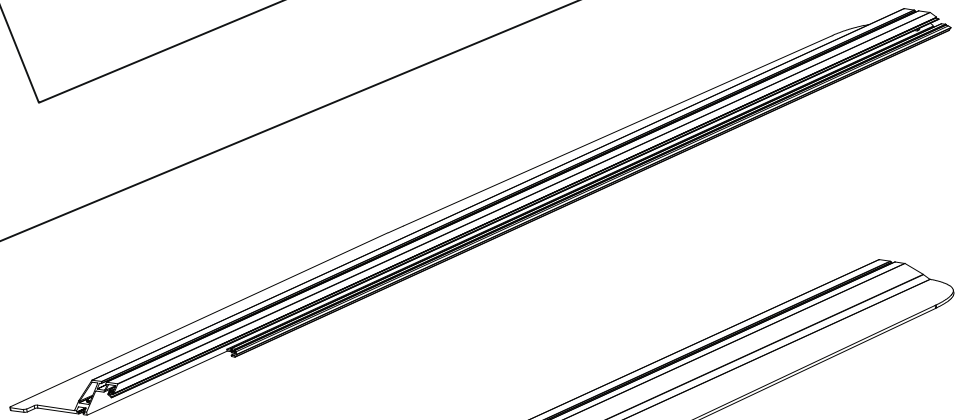
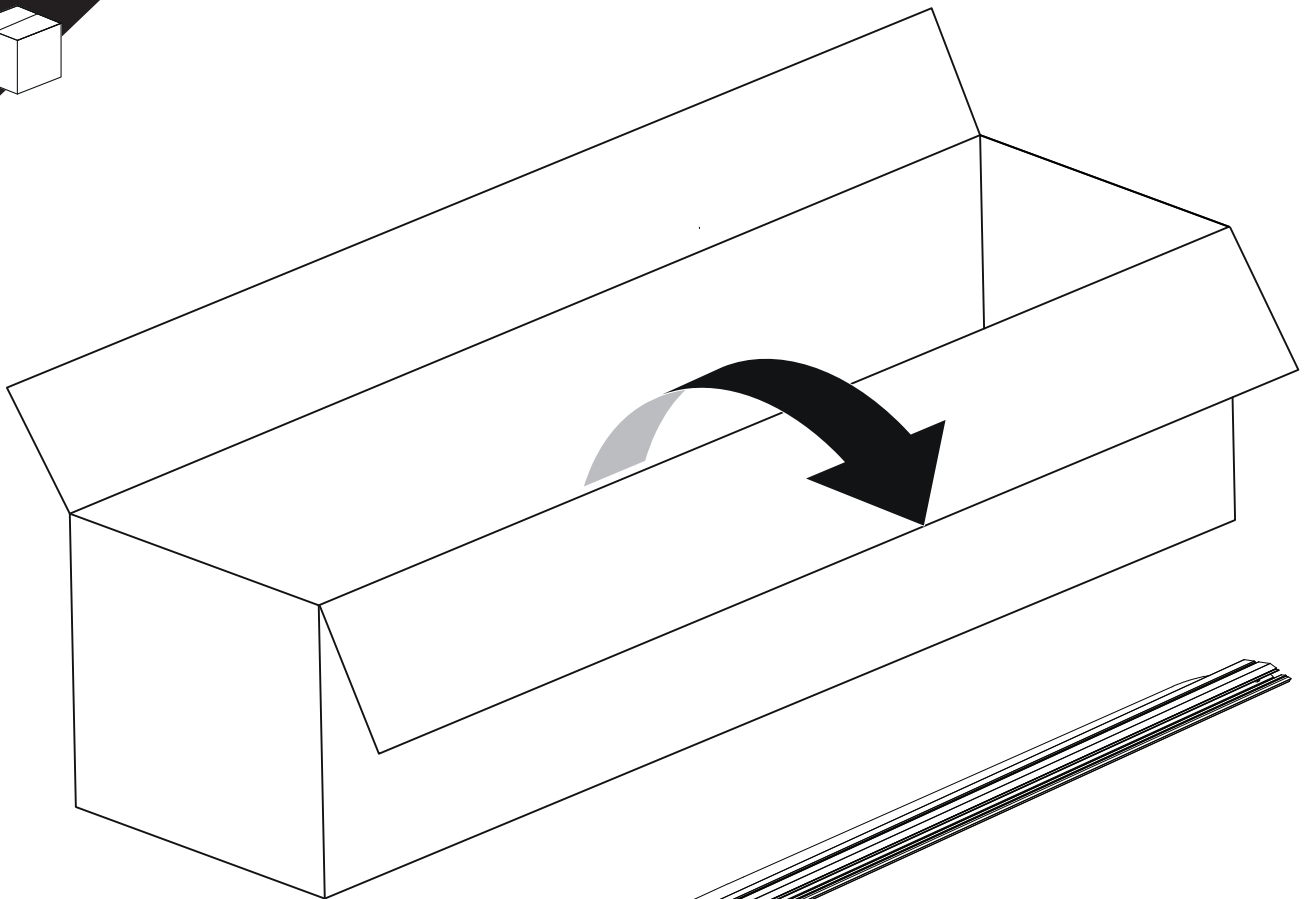
INSTALATION
MANUAL
+E-KIT



OWNERS
MANUAL



x1

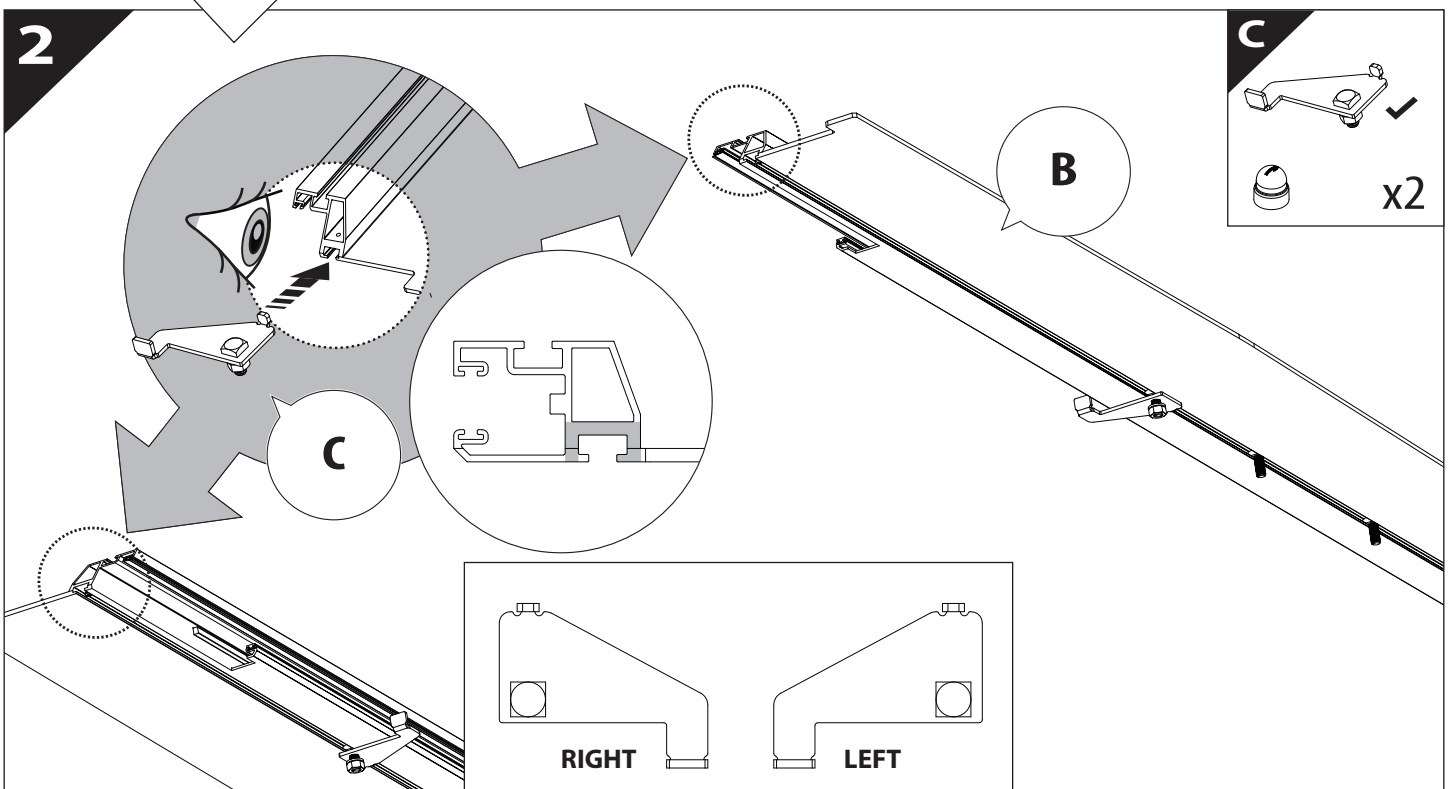
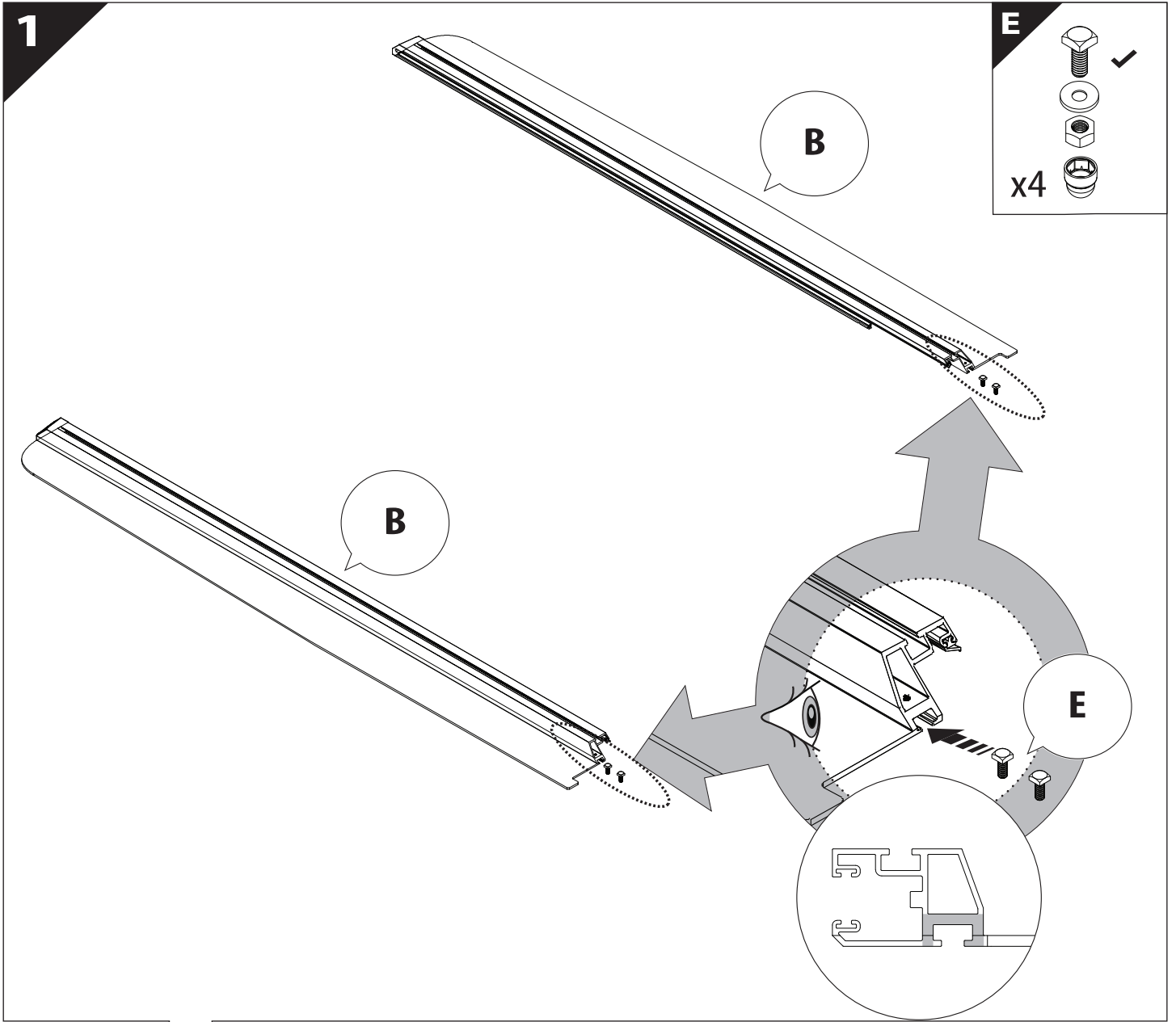


B

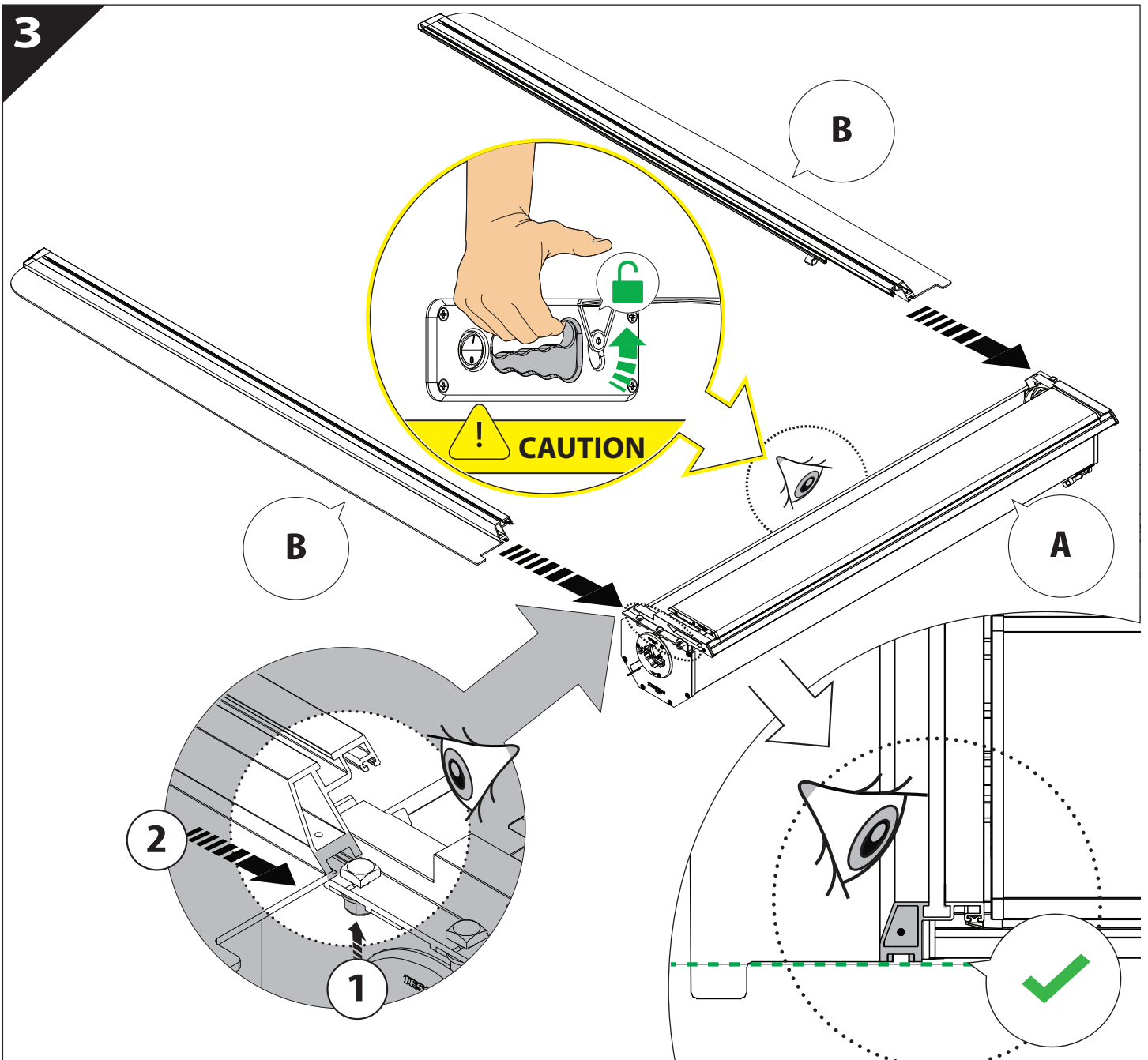
A

KITS

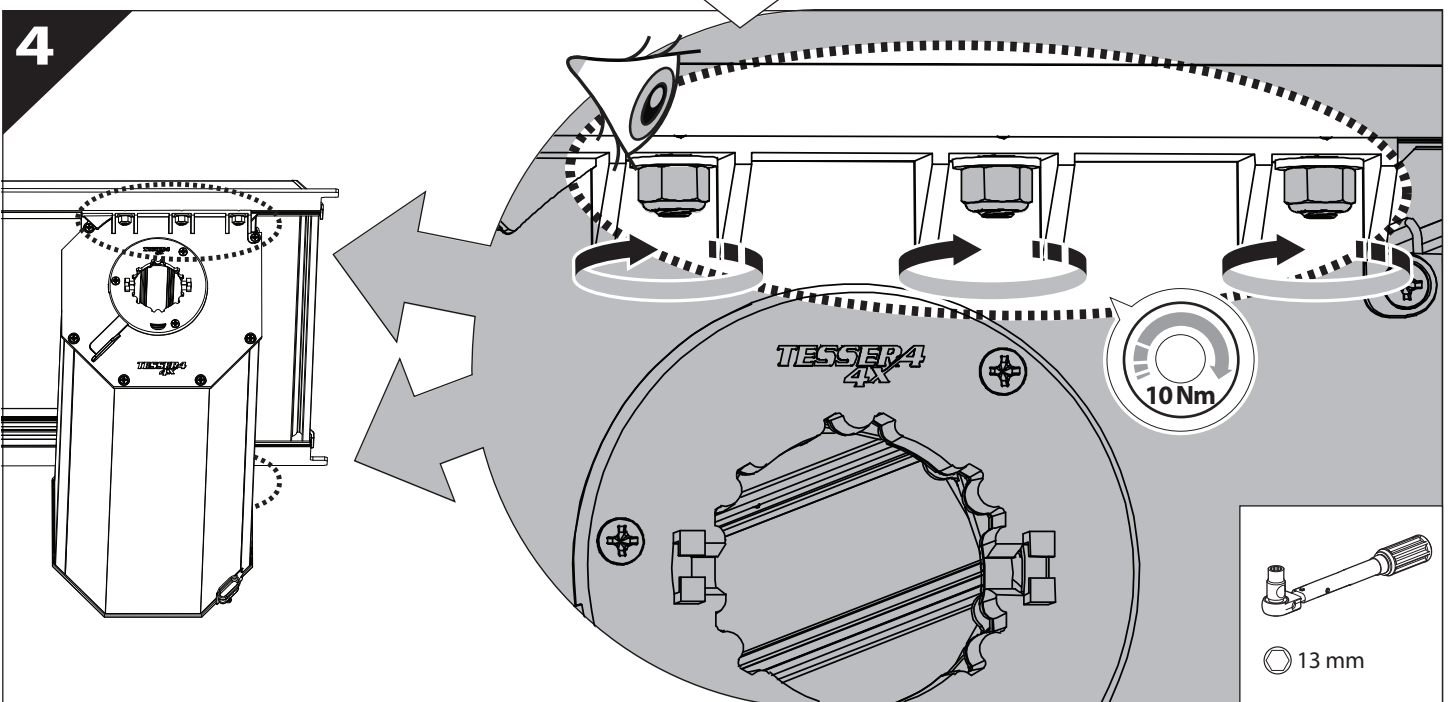
L



3

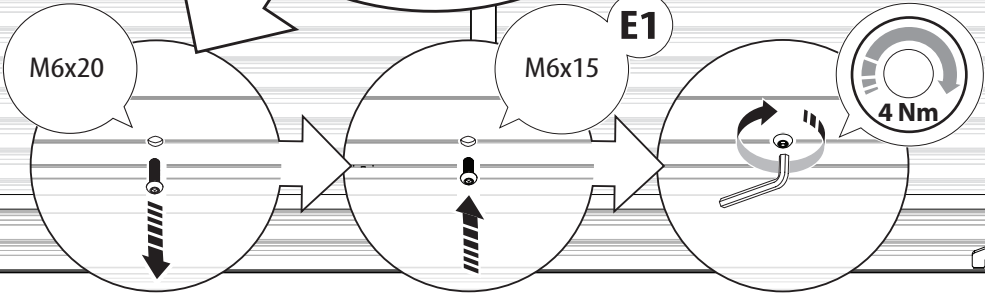
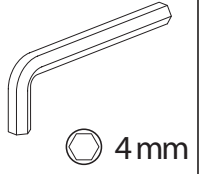


4

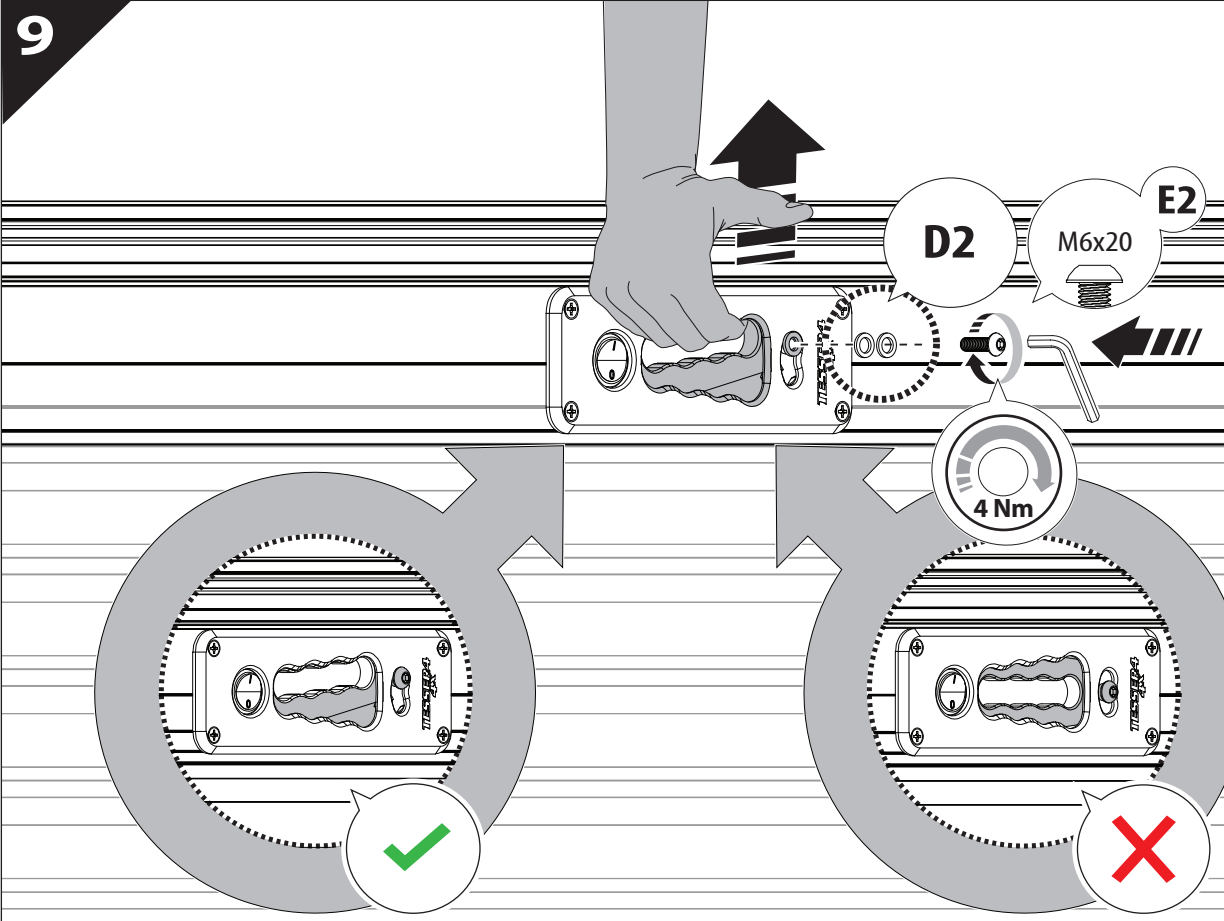
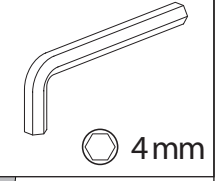
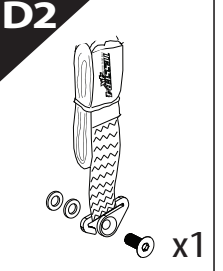
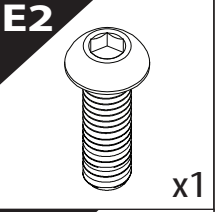


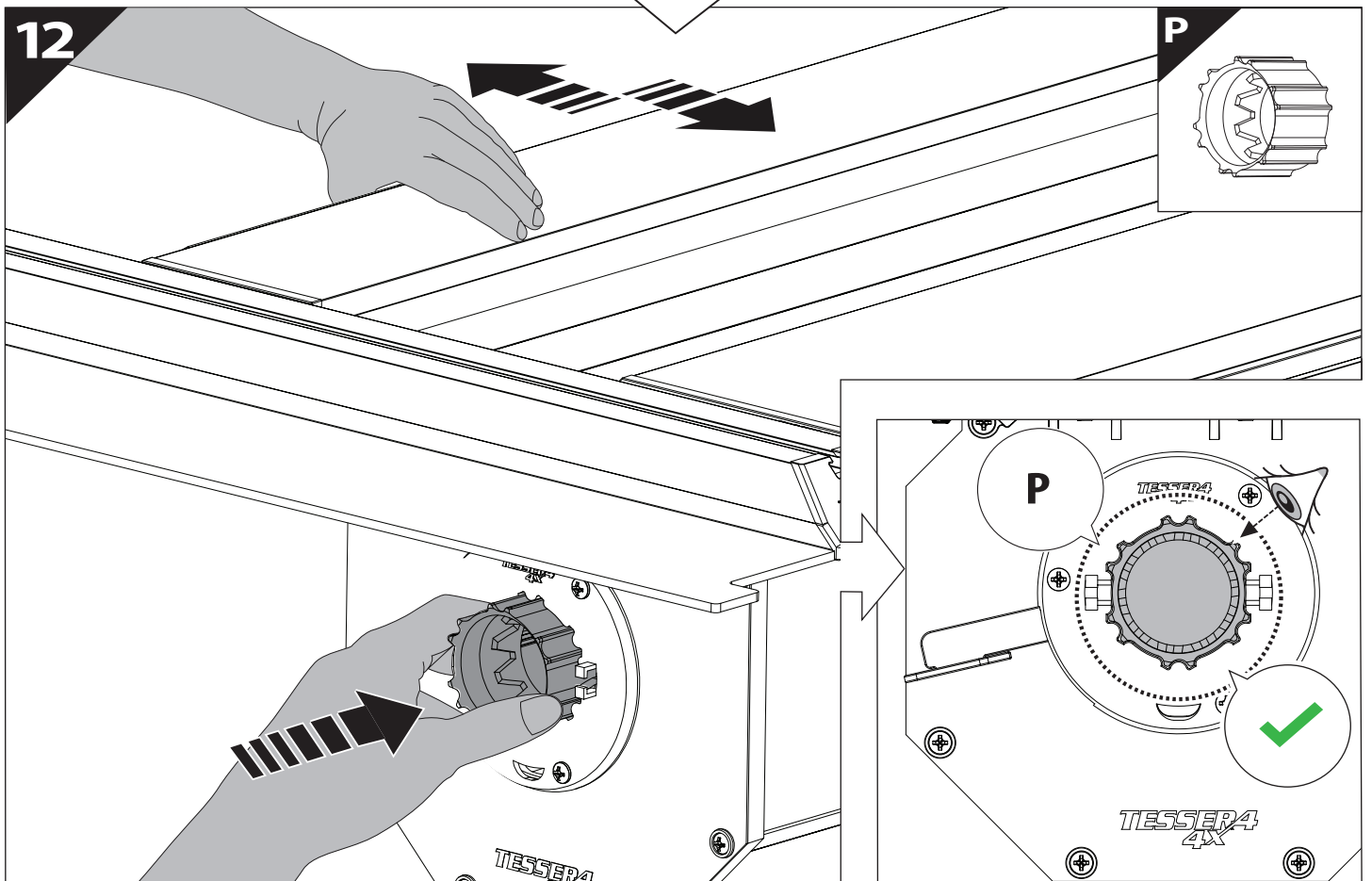
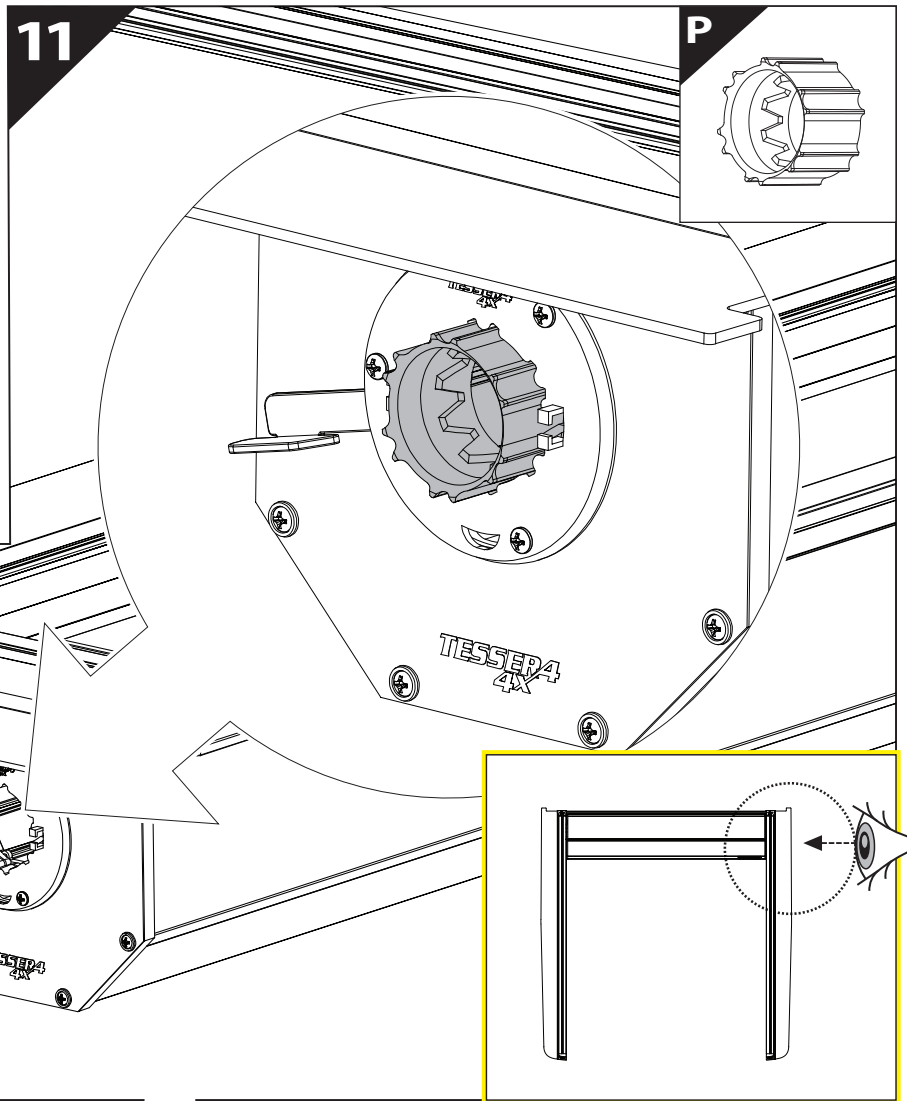
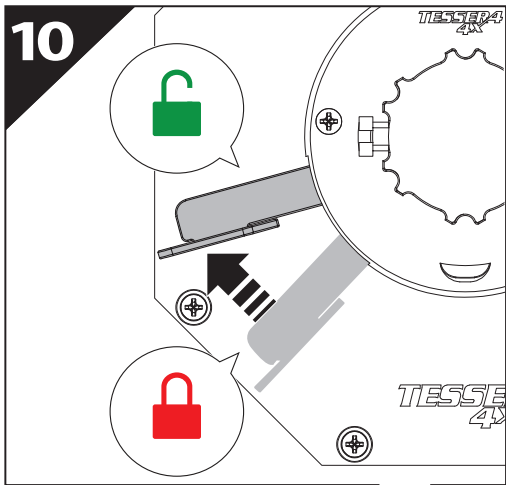
8

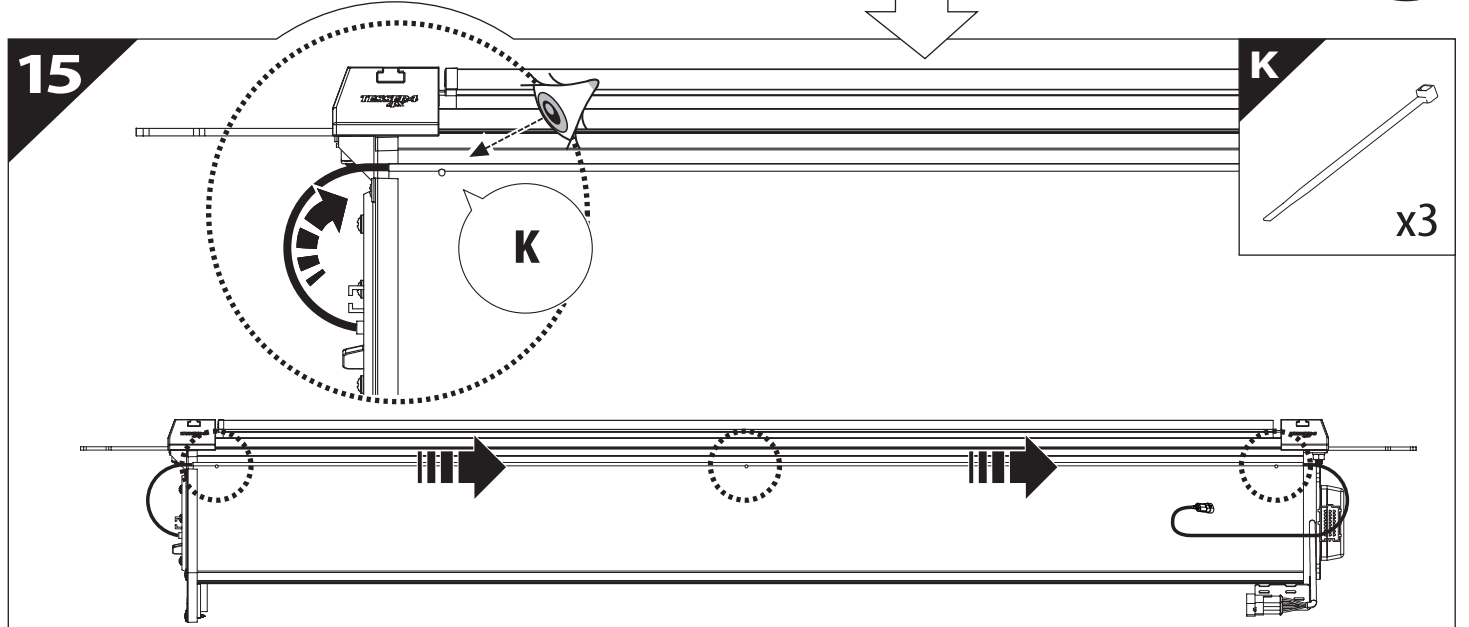
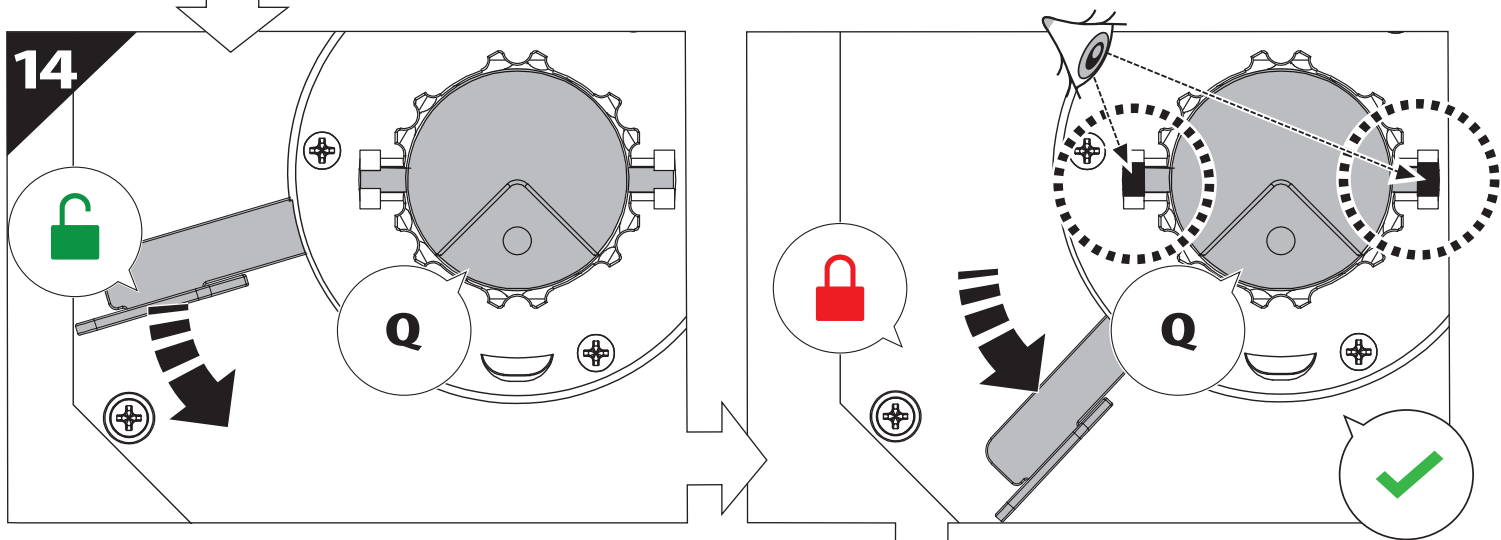
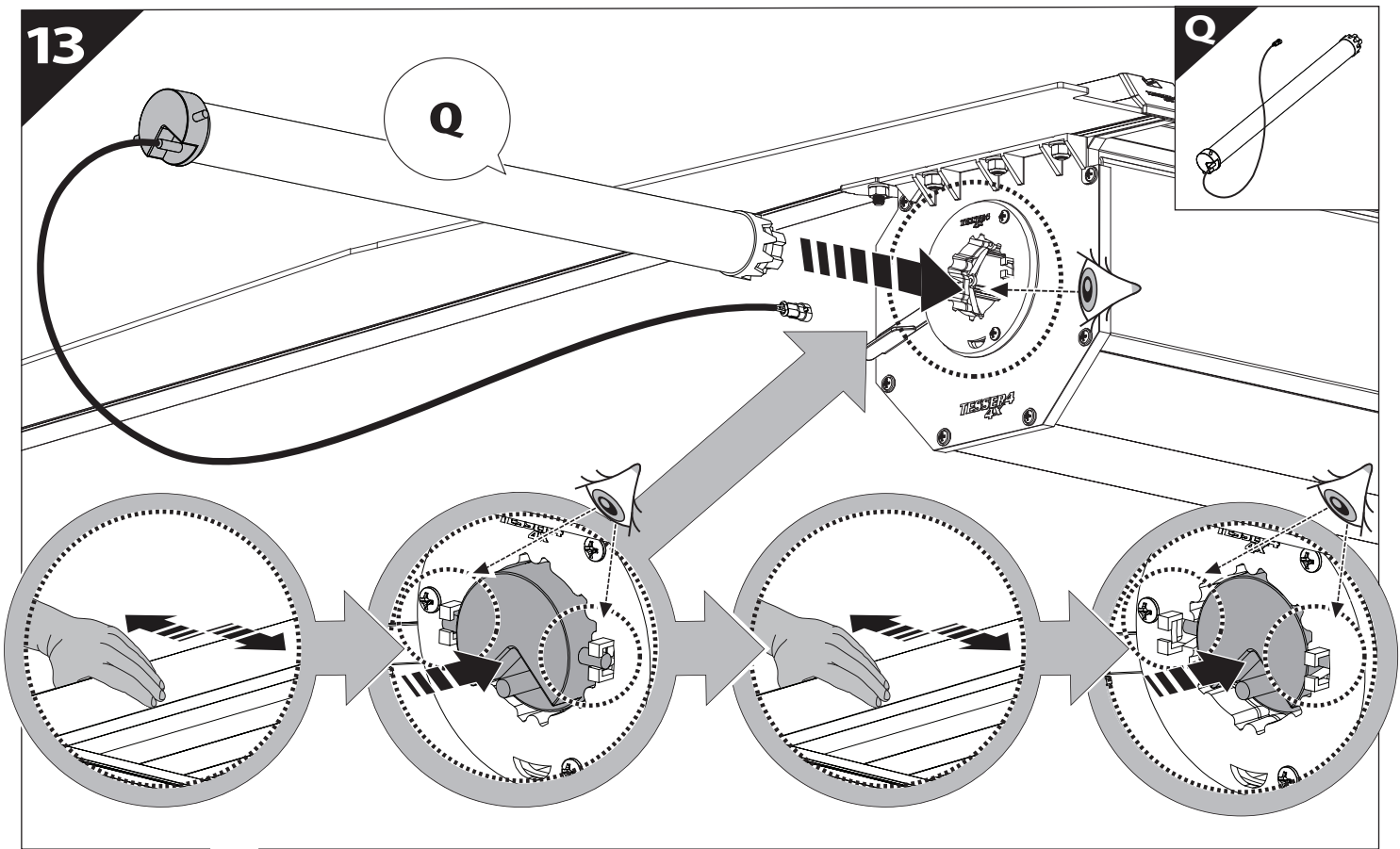
CAUTION



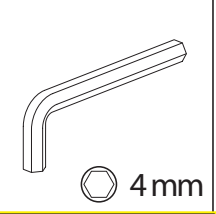
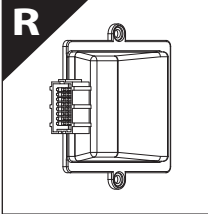
9





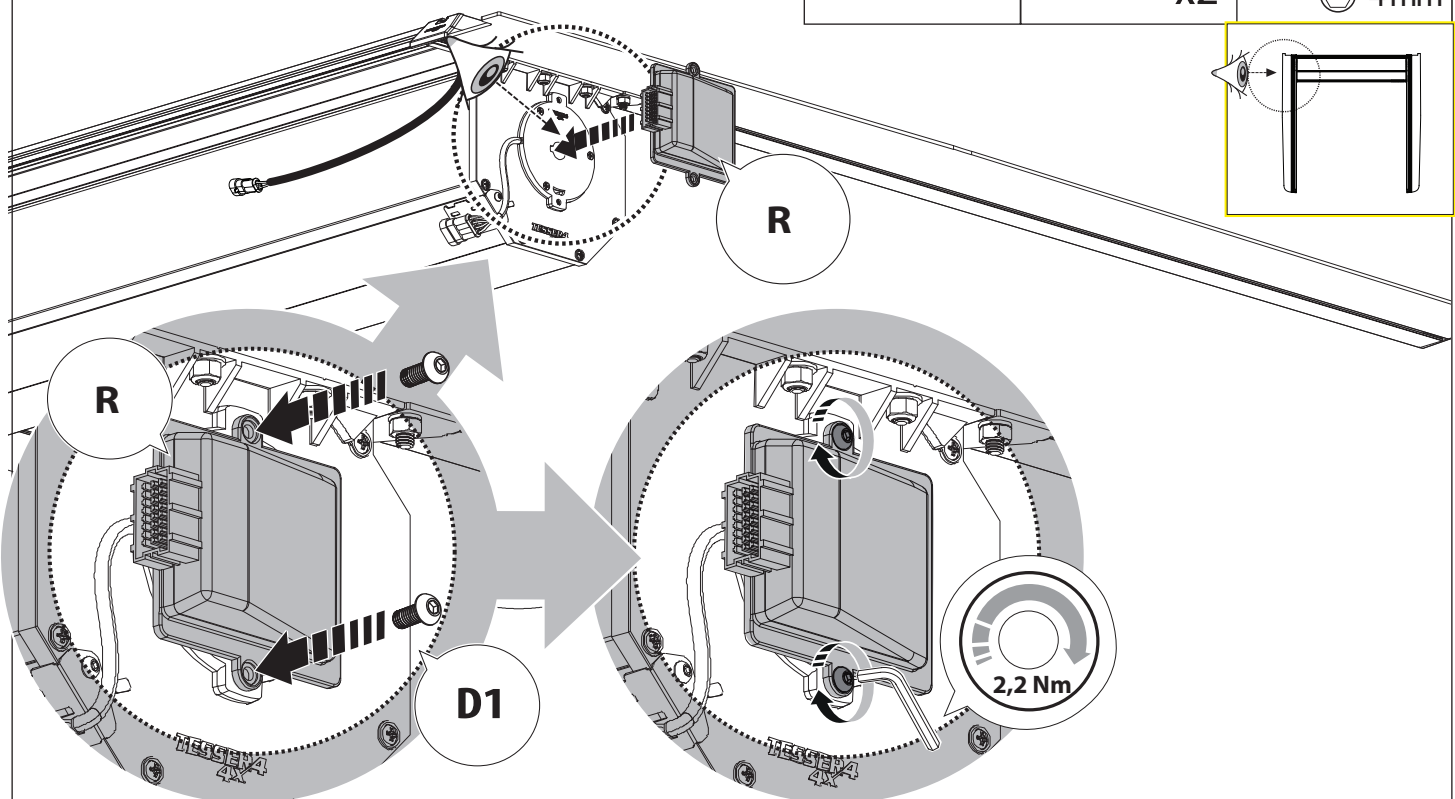
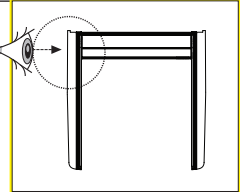


16

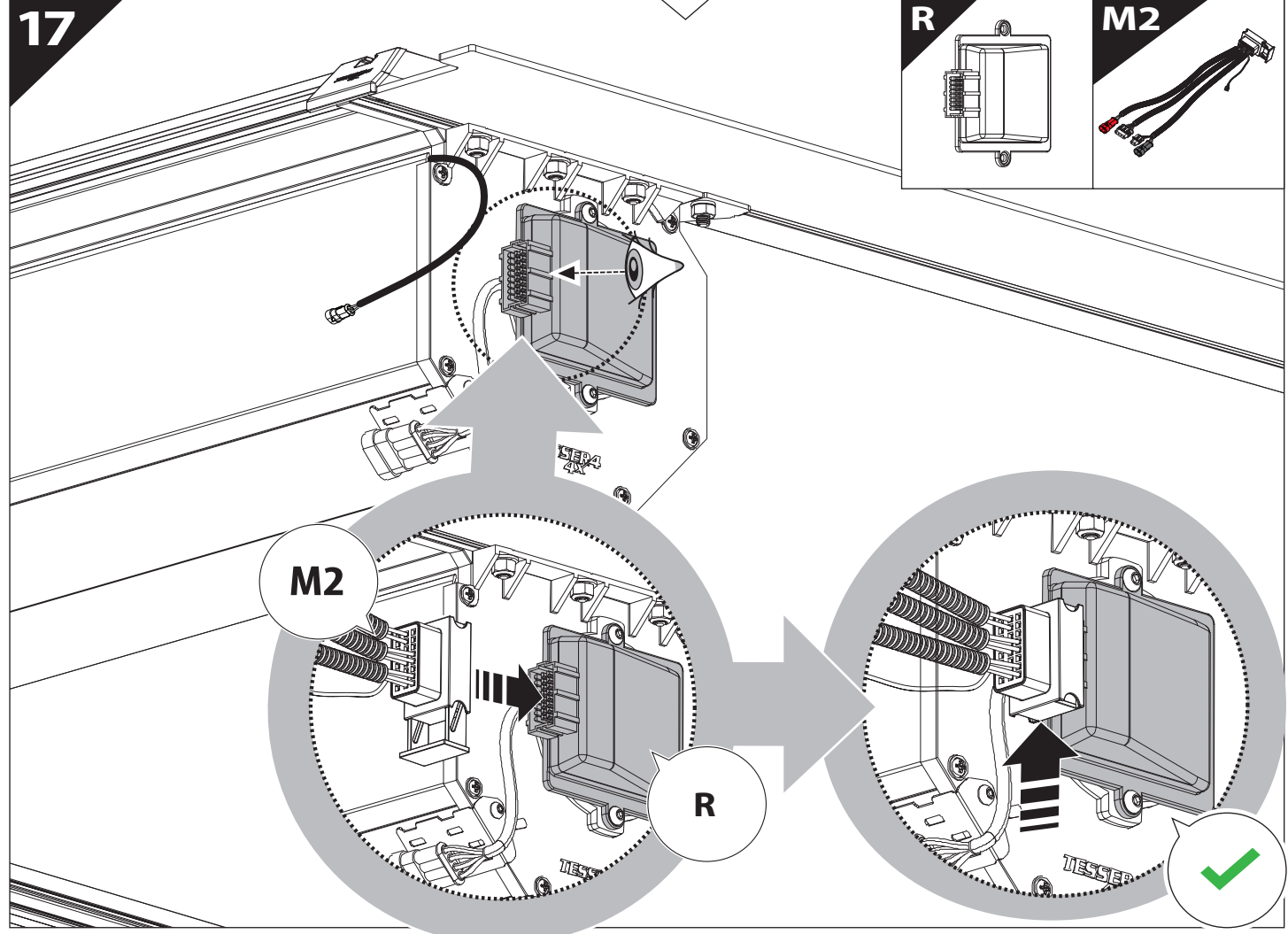
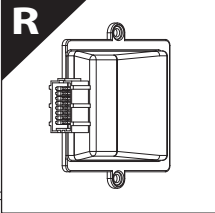


x2

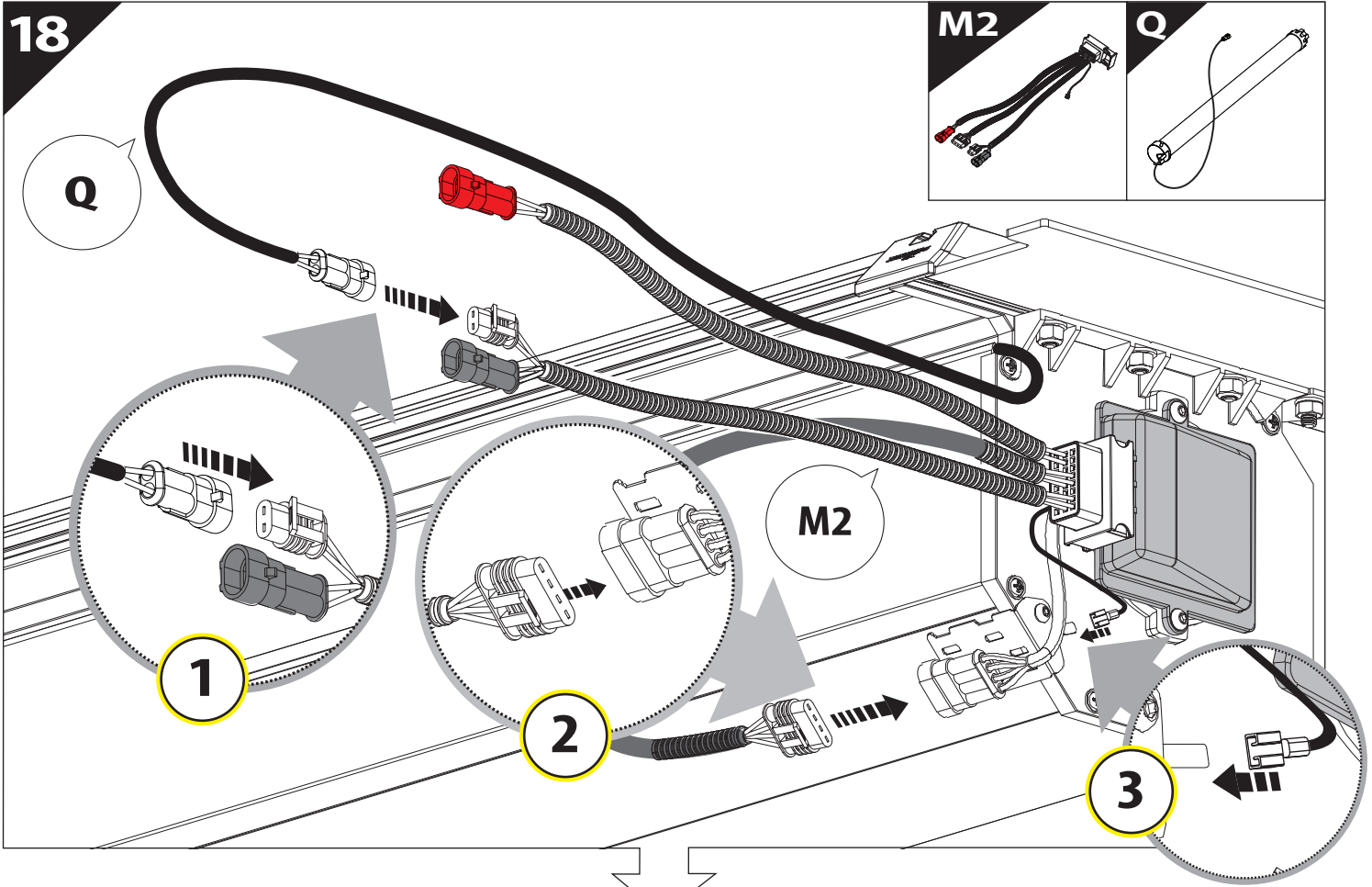
4mm



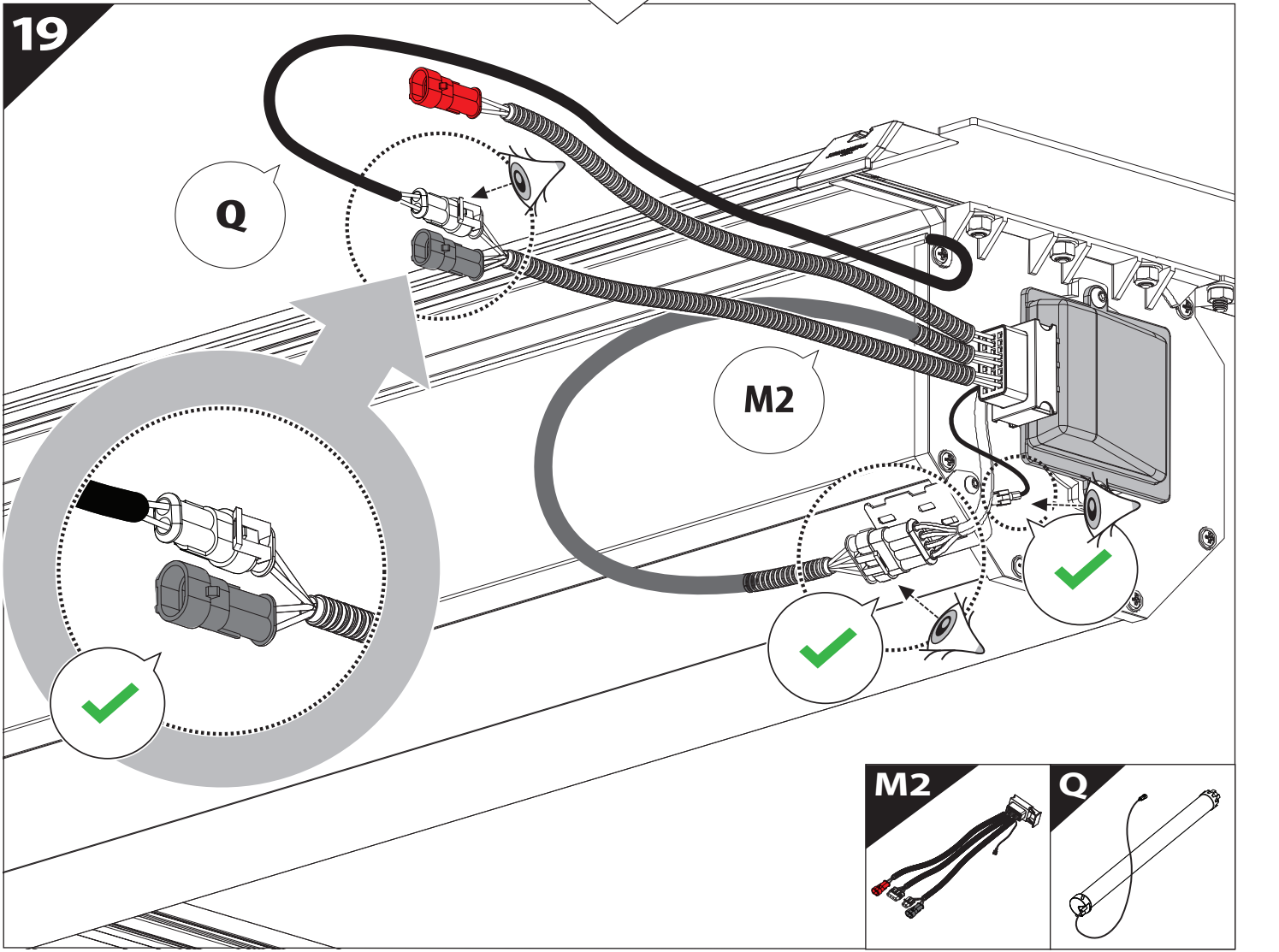
17

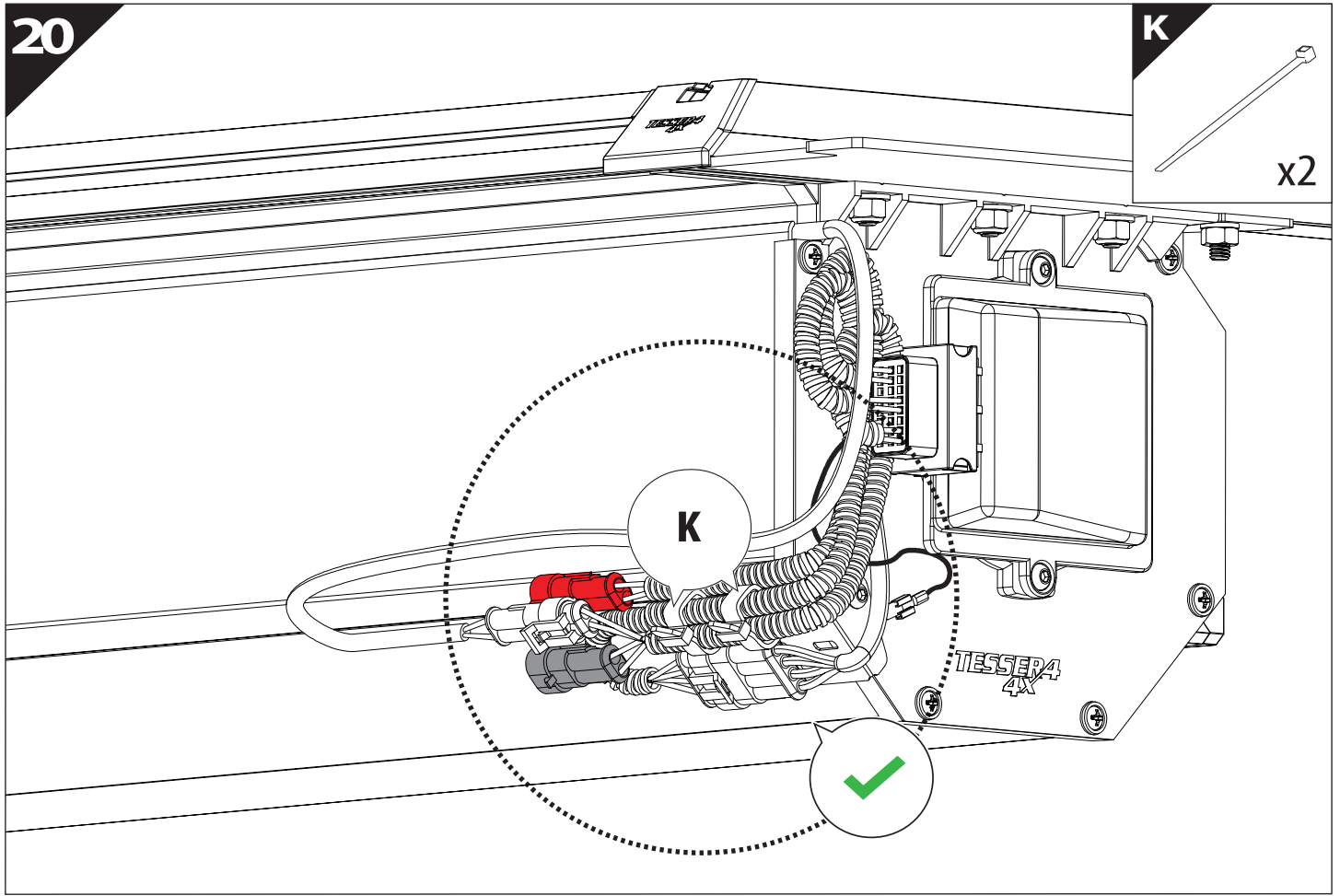


18



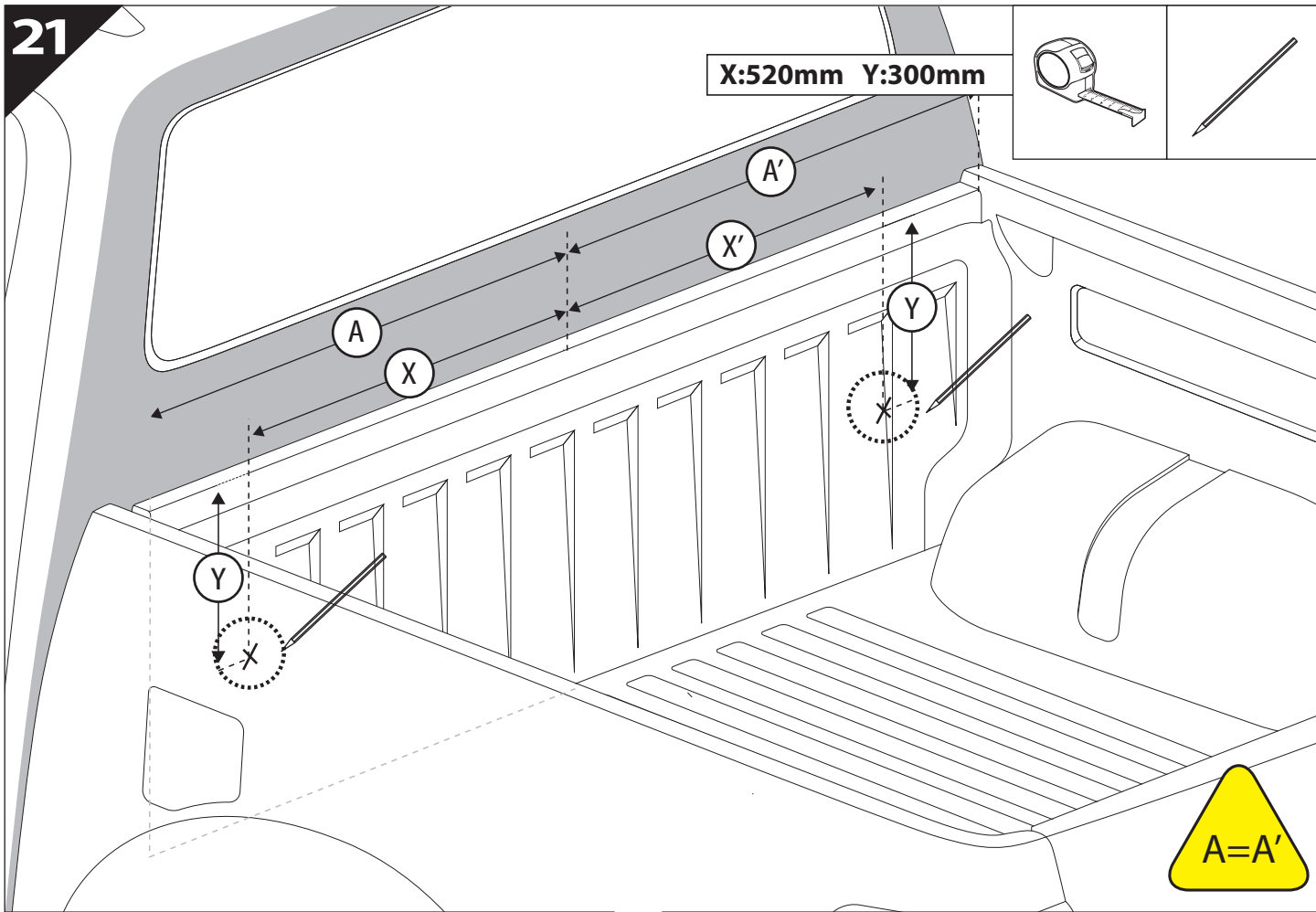
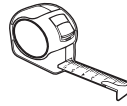
19



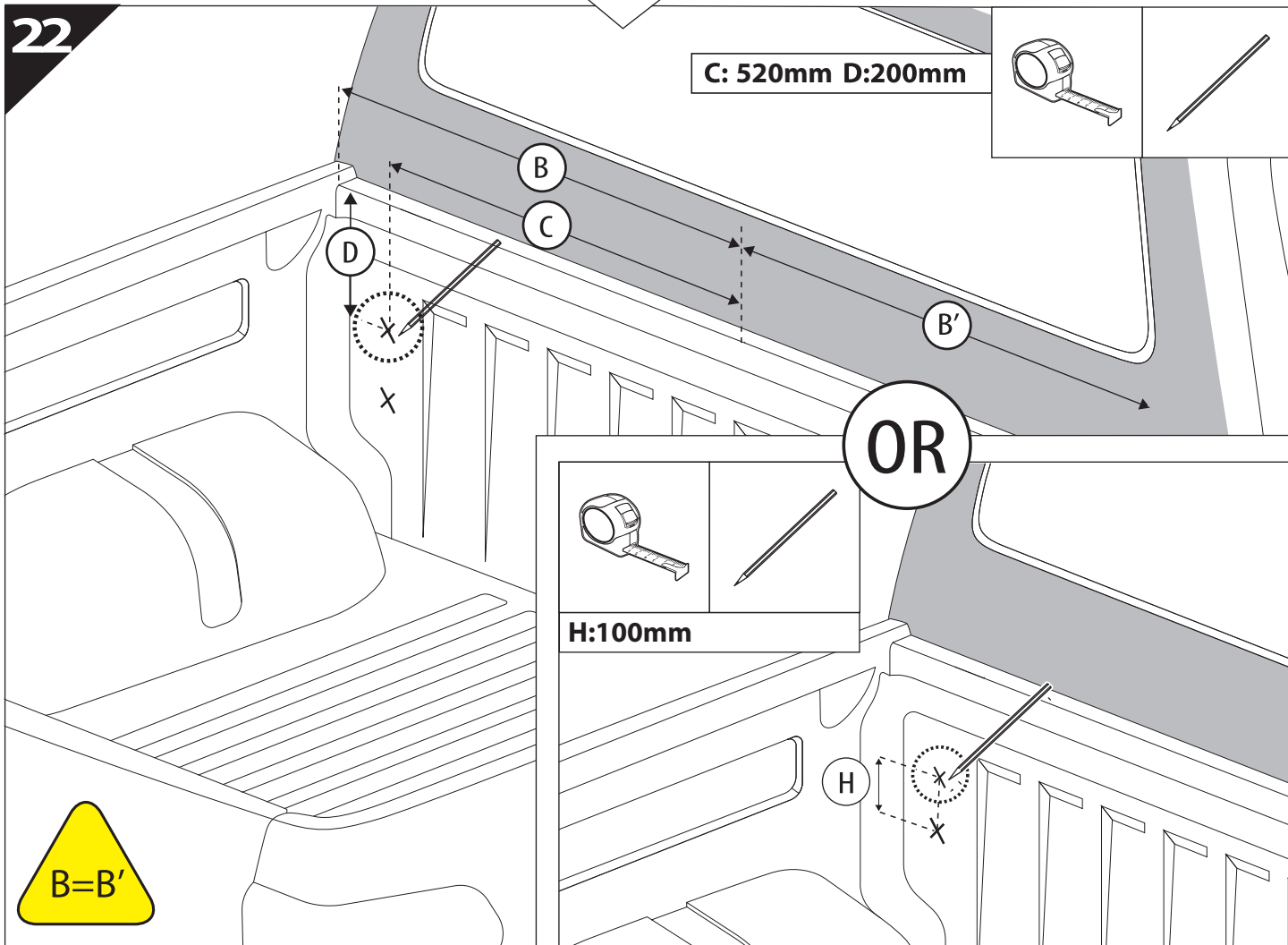
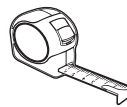


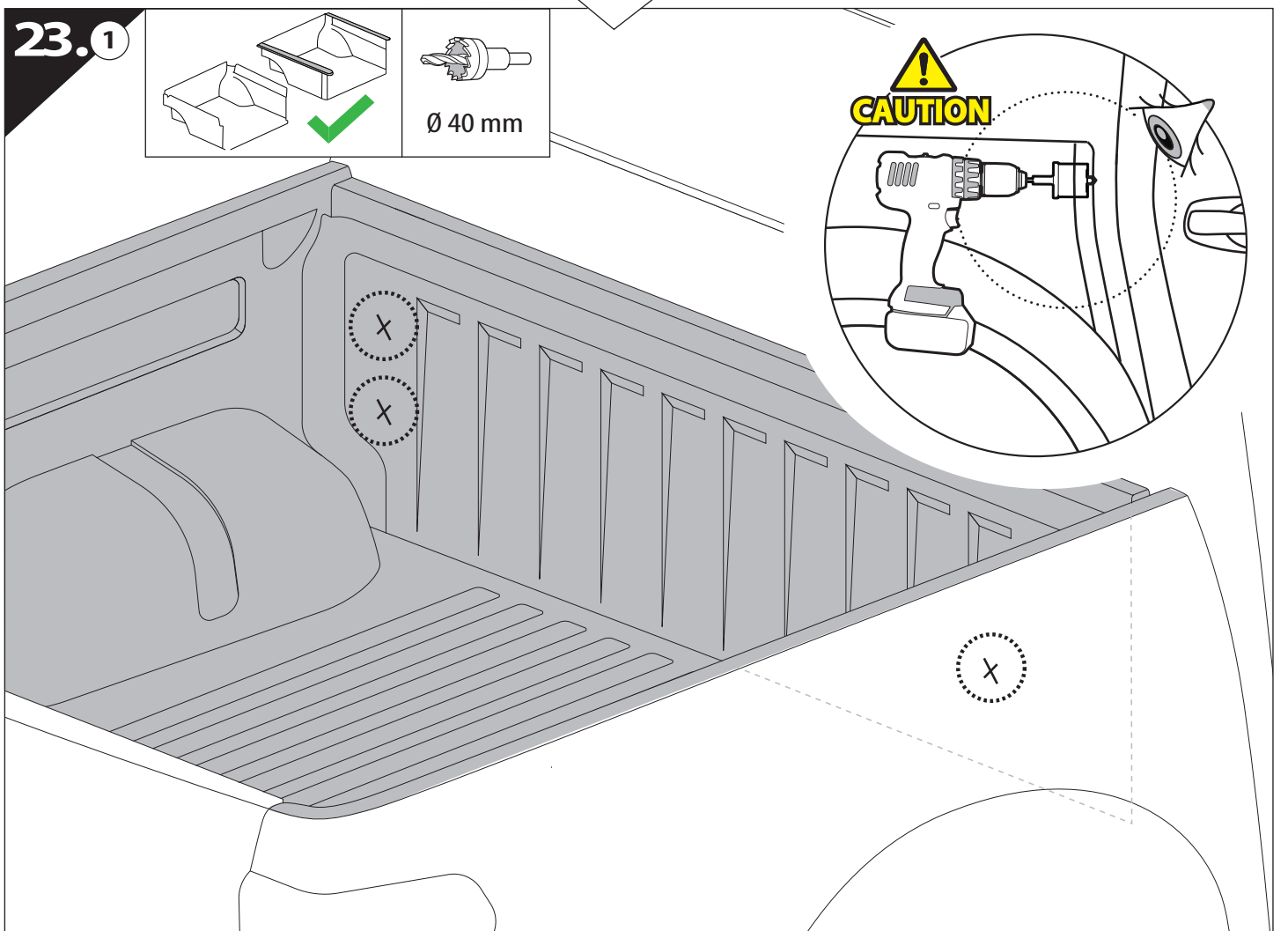
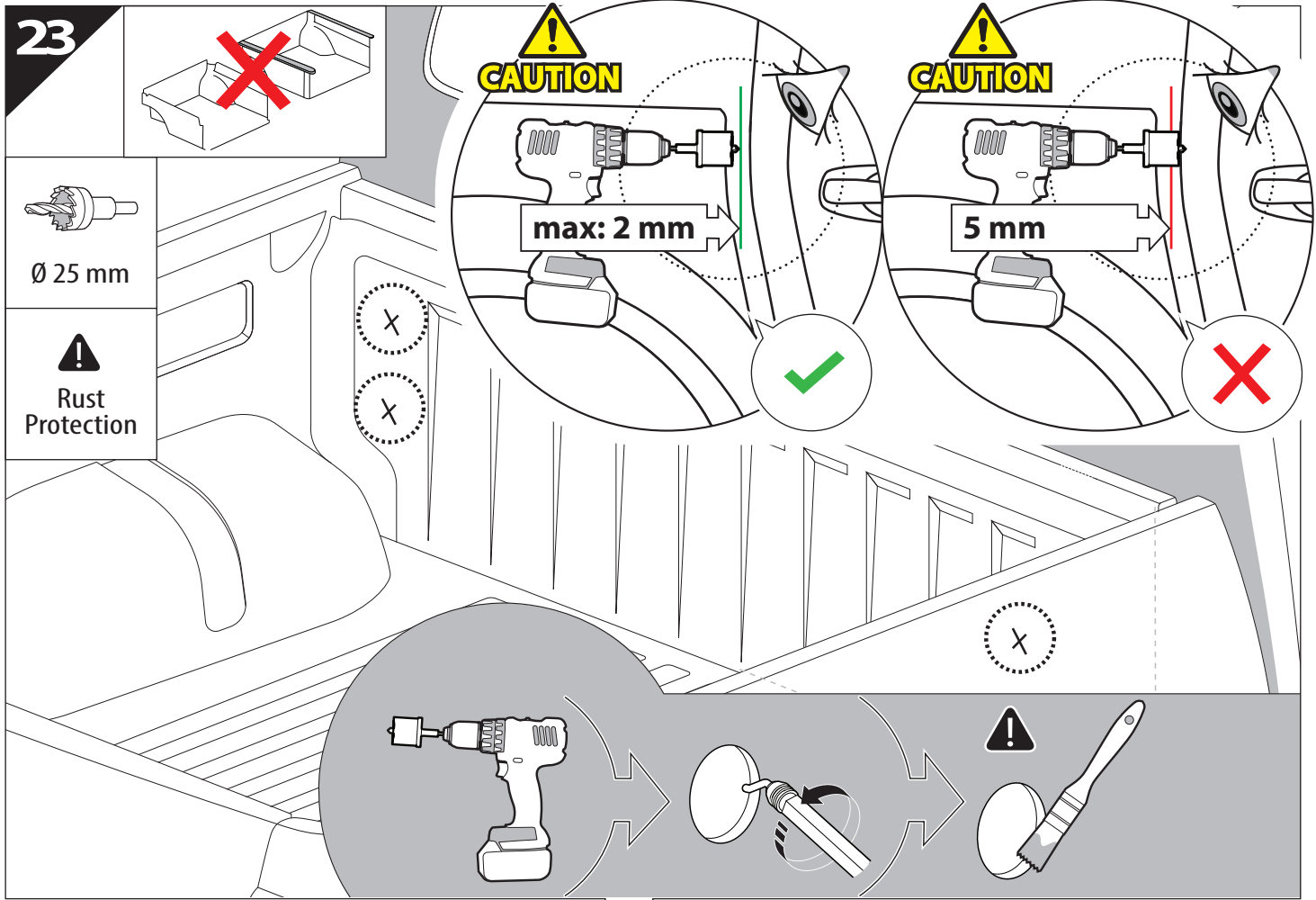
21

X:520mm Y:300mm

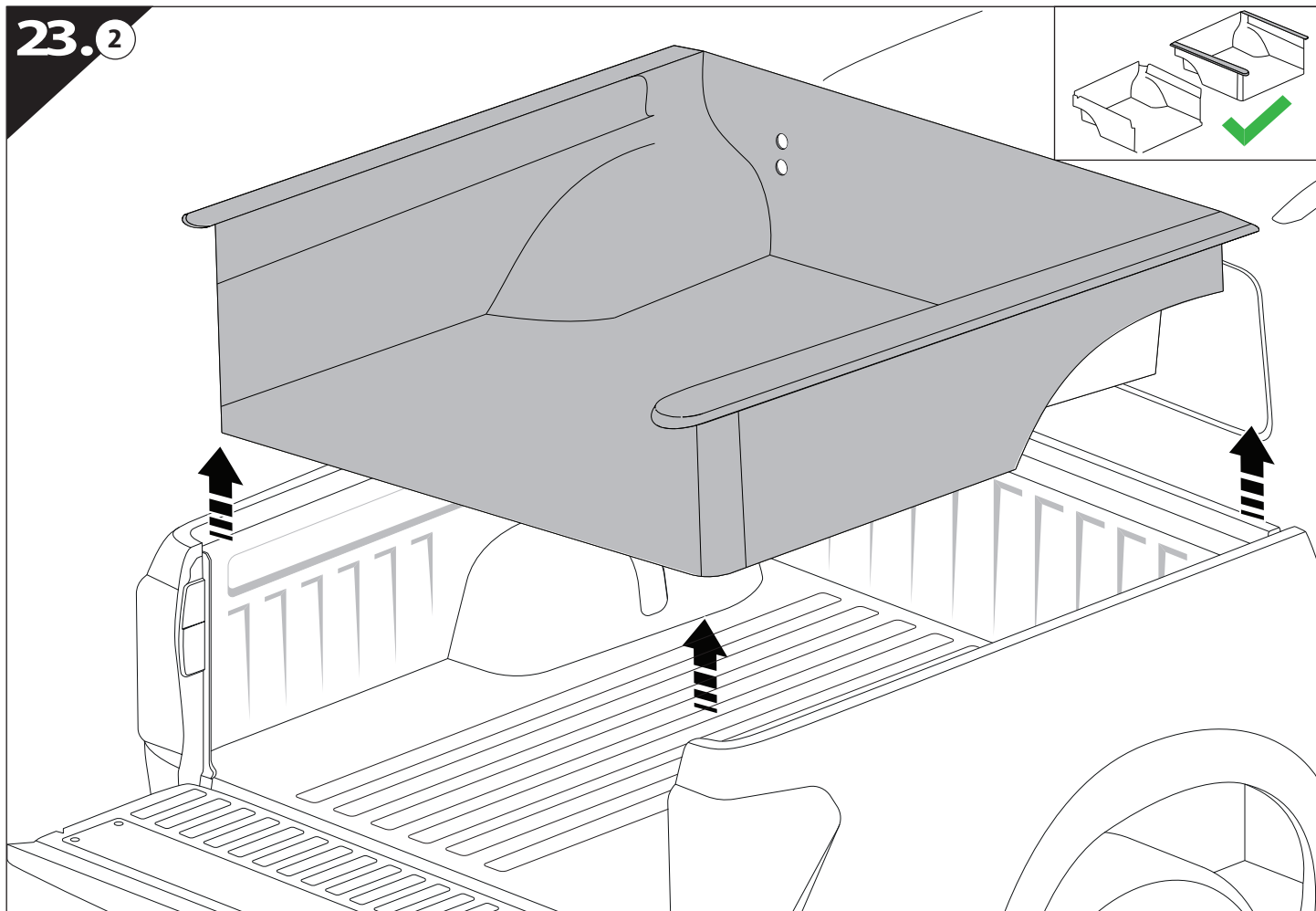


C: 520mm D:200mm

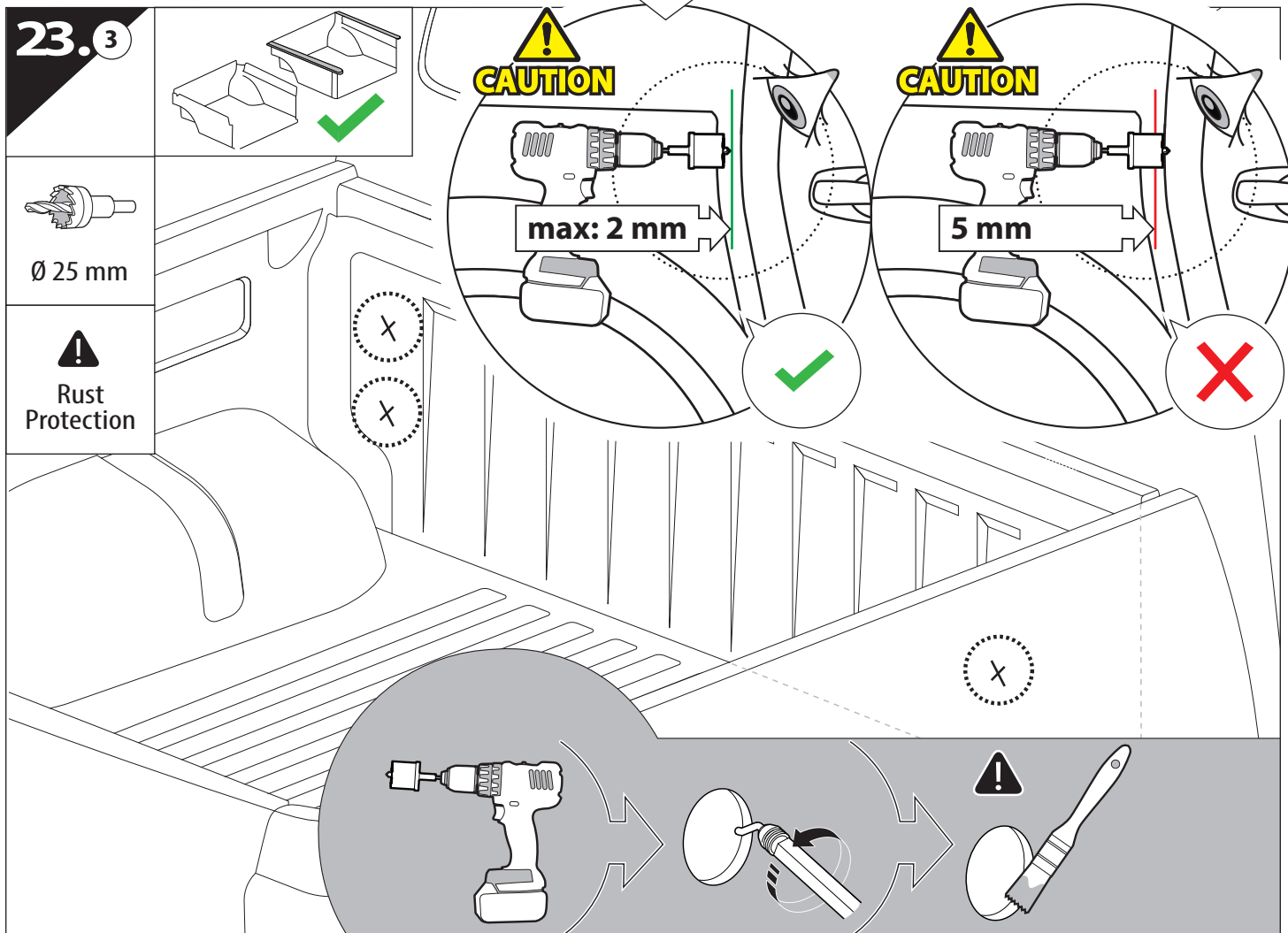


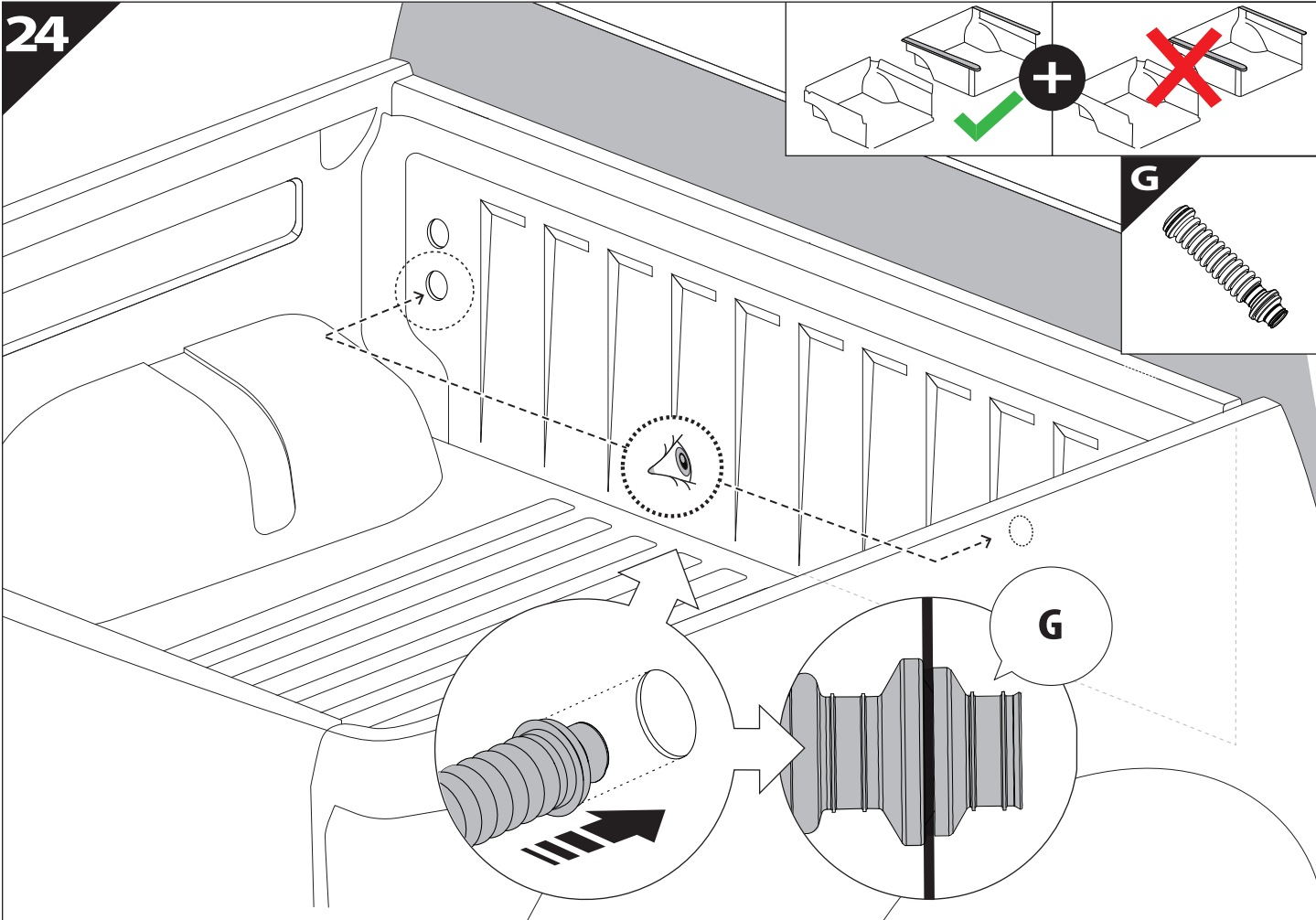


23.2

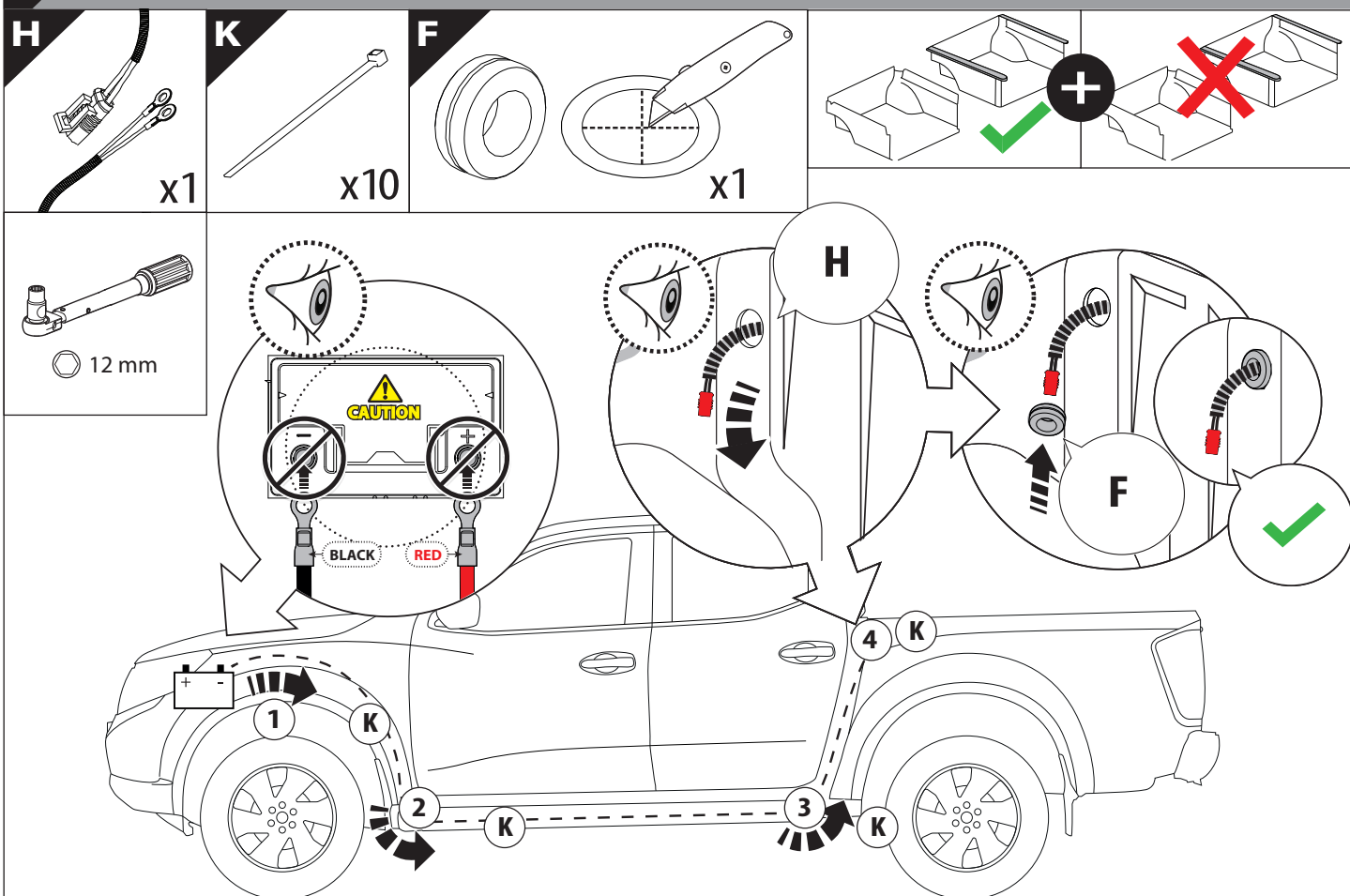


23.3

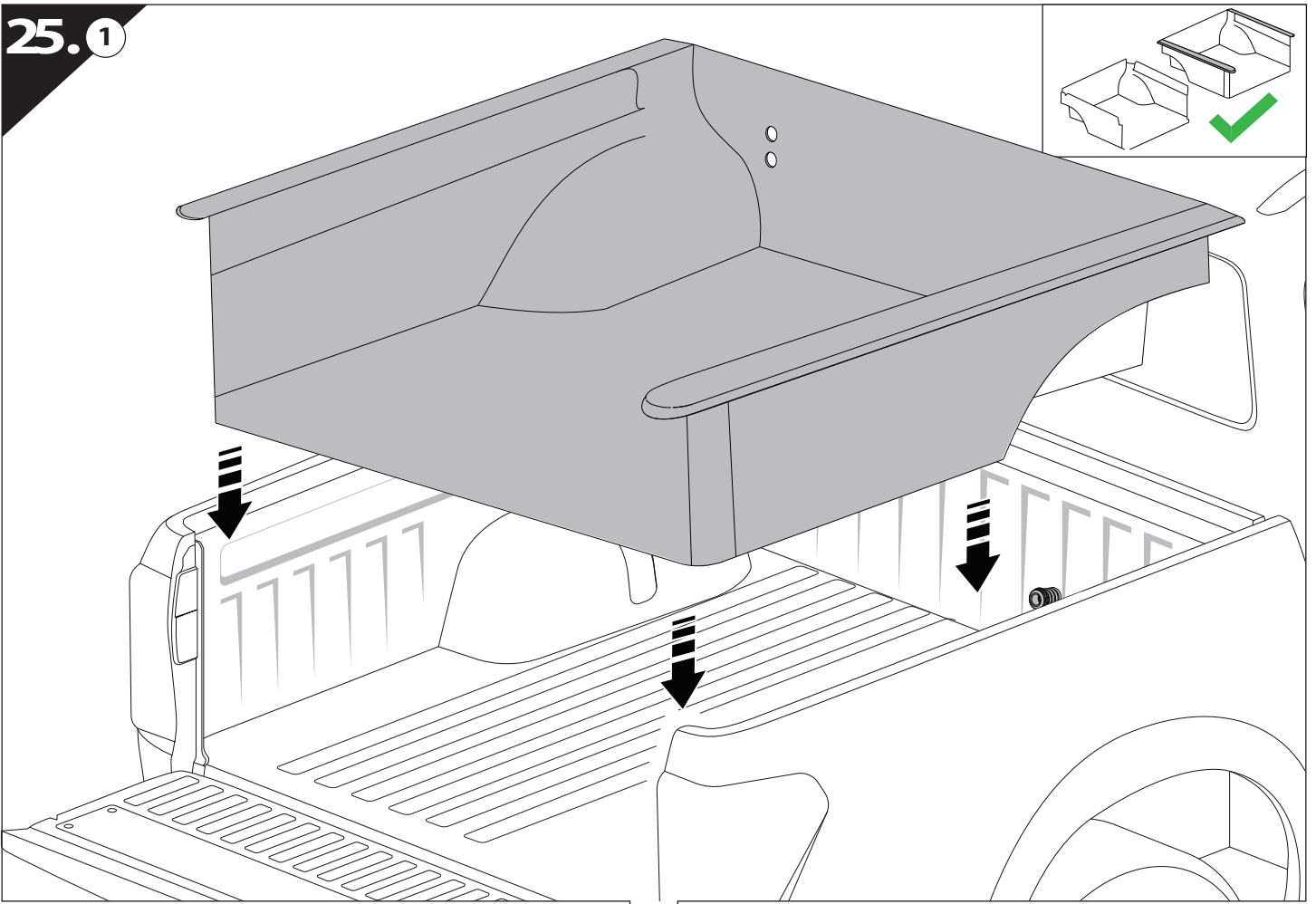




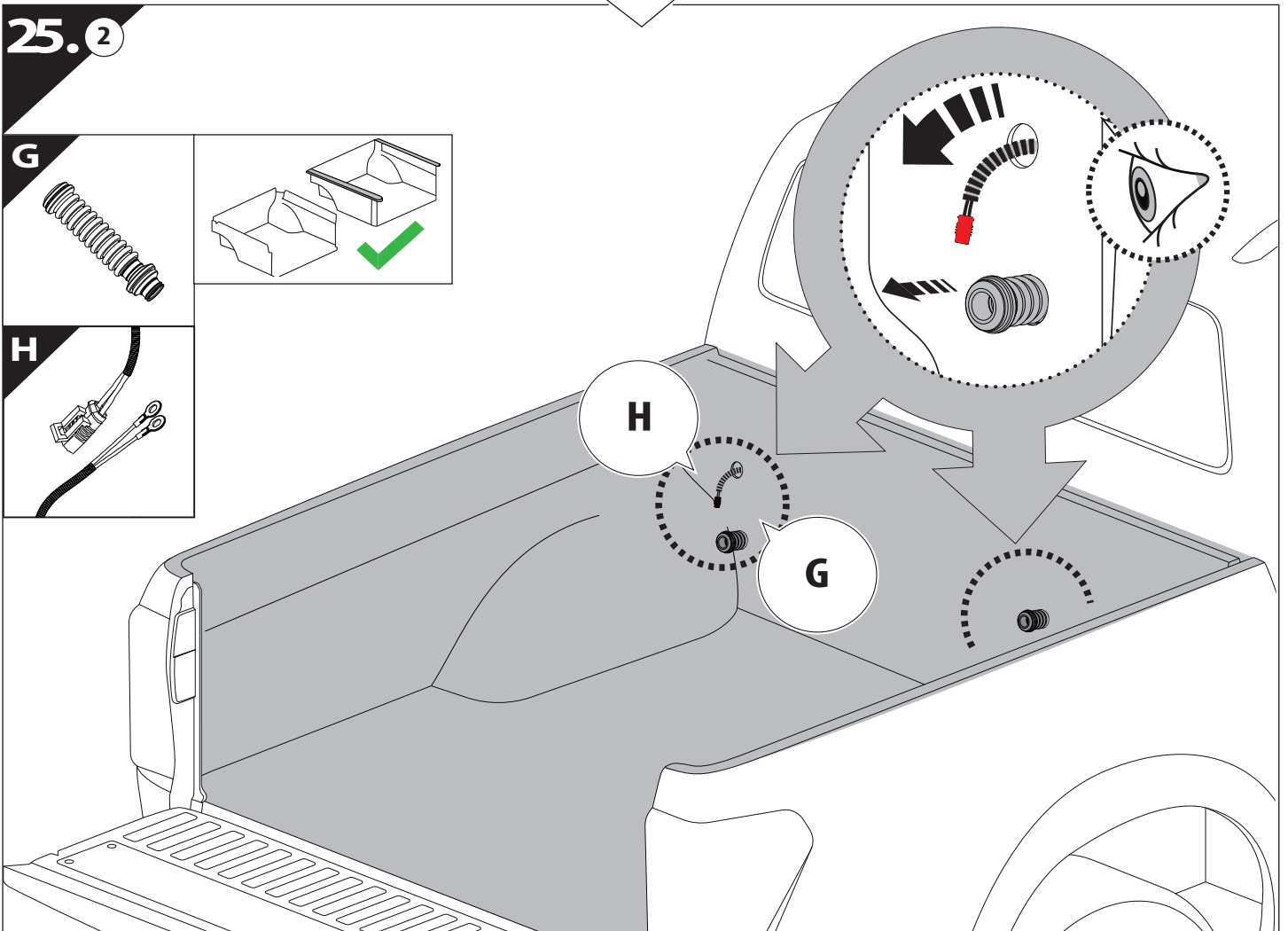
25 Only to be installed by authorized personnel



25.1

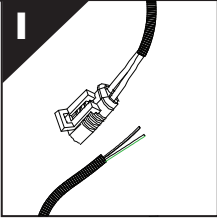


25.2

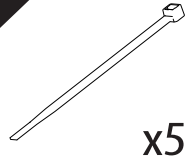


26

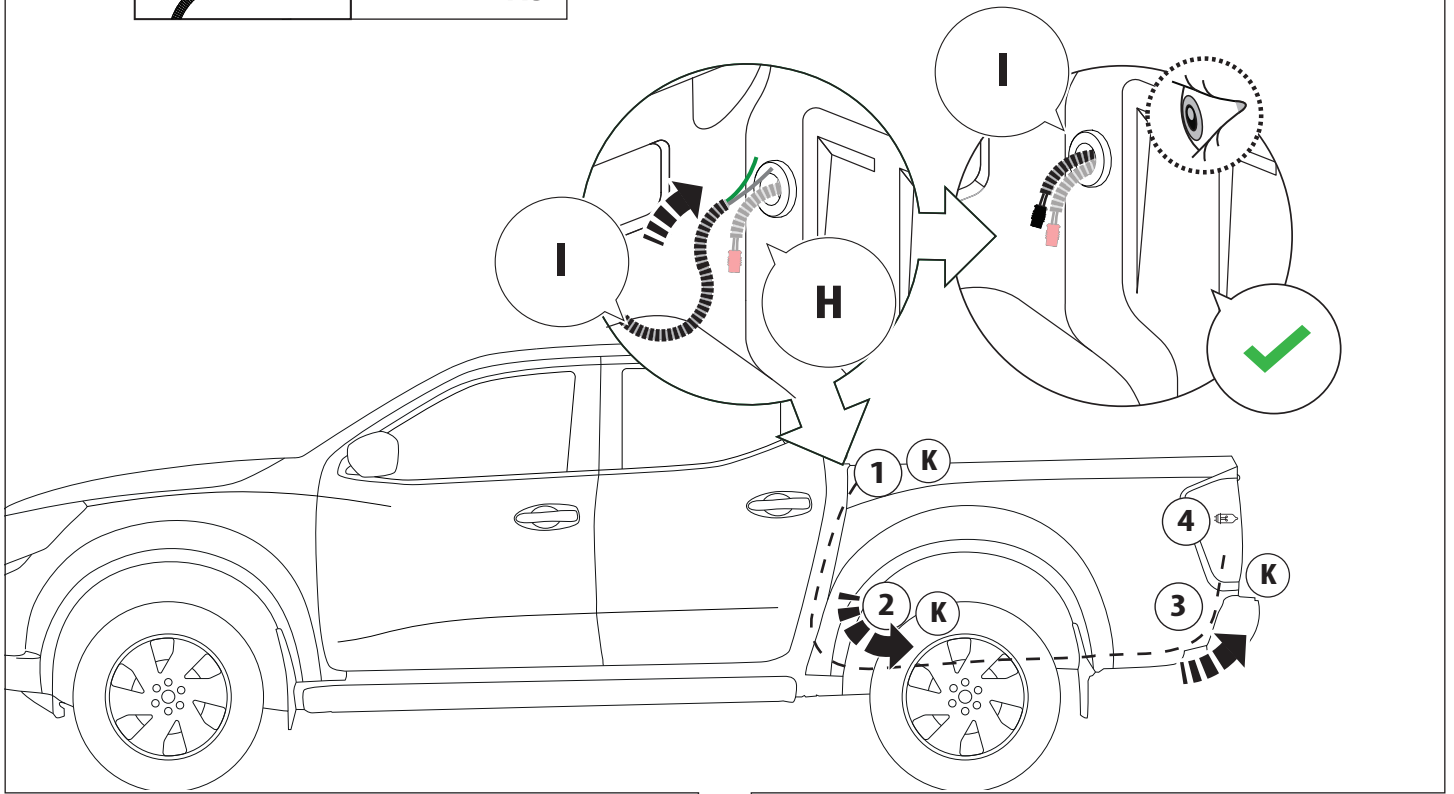
I



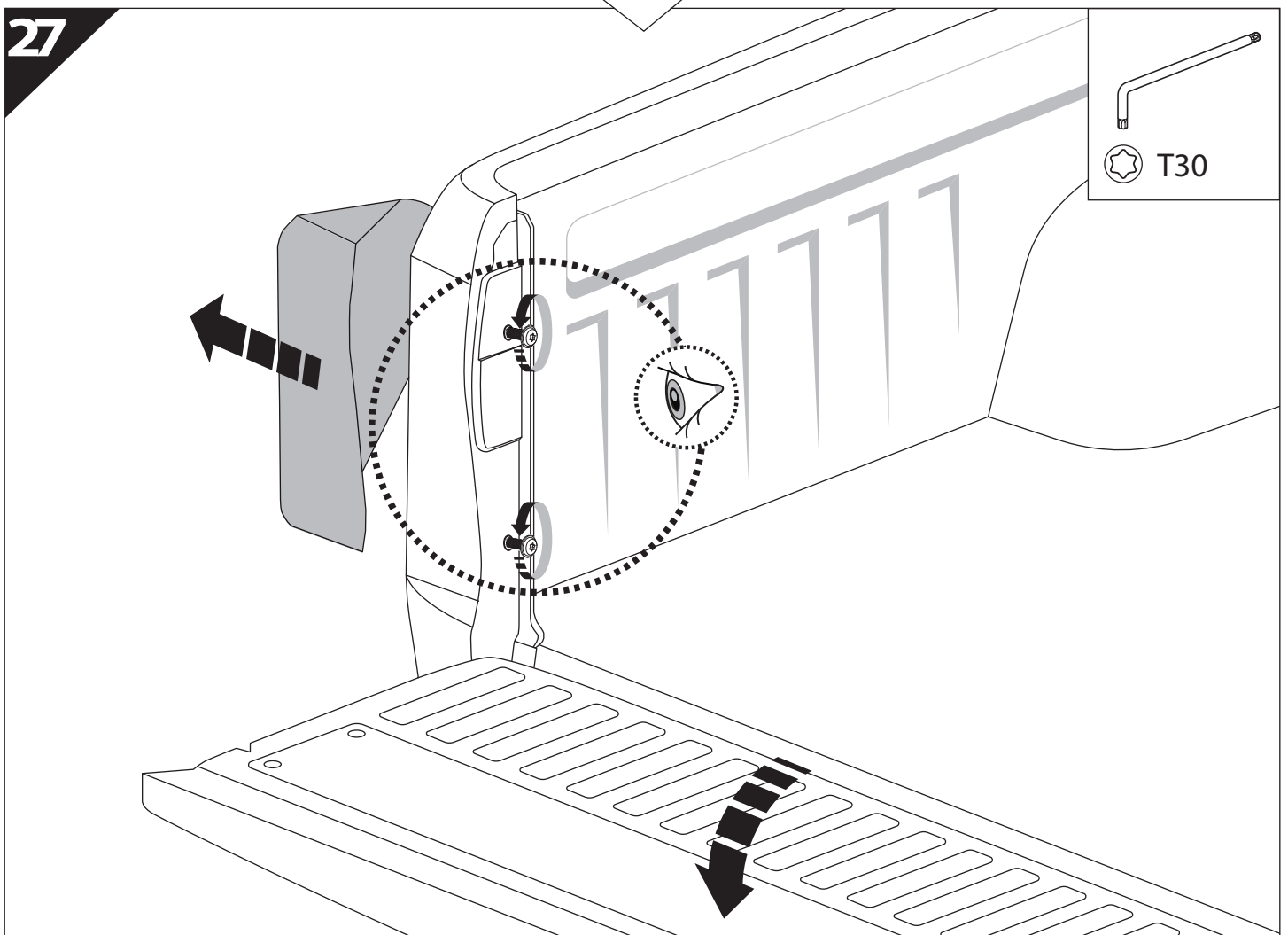
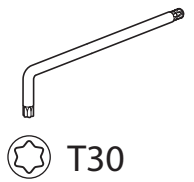
K



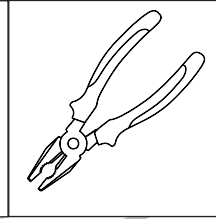
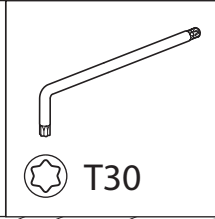
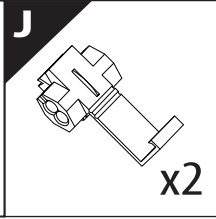
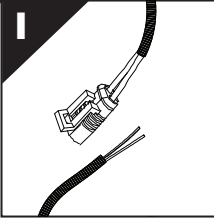
x5



27

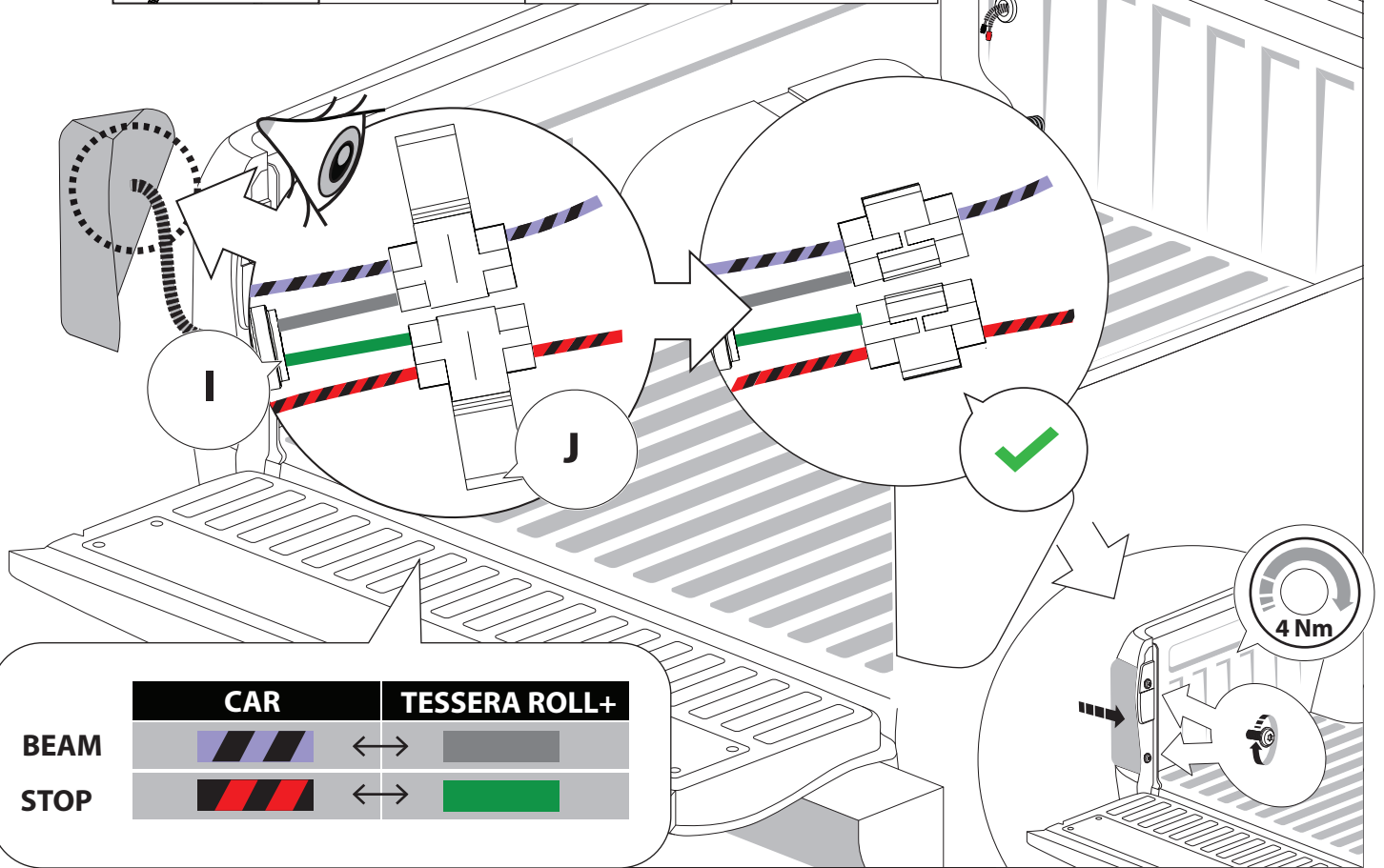


28



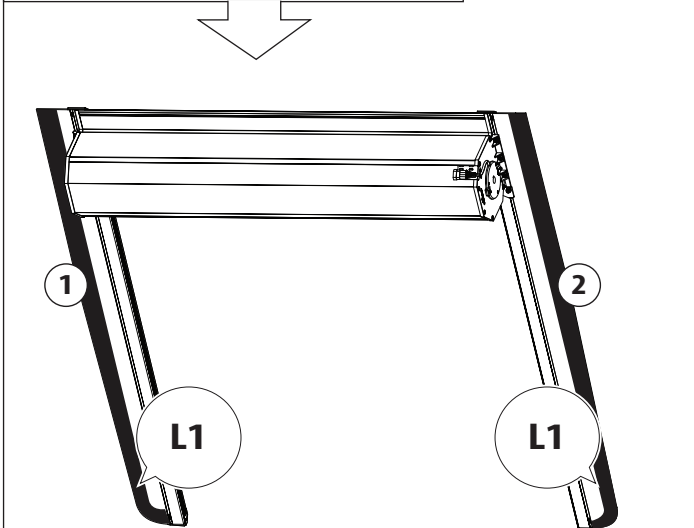
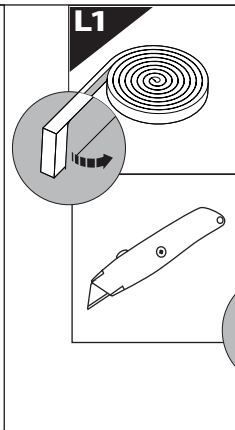
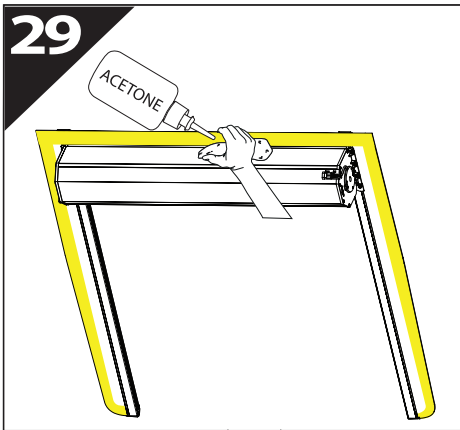
x2

T30

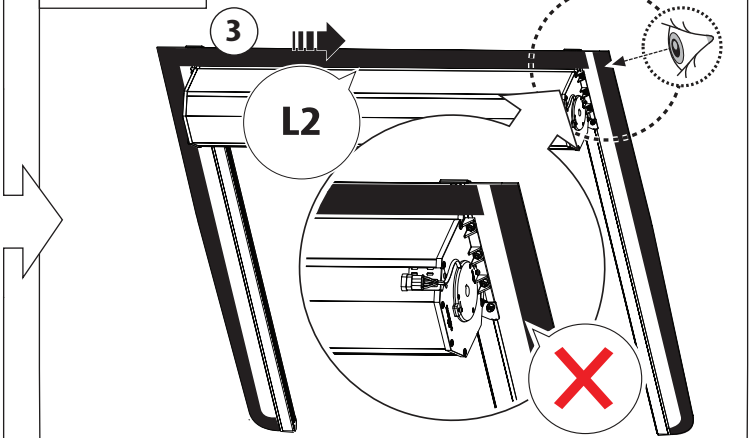
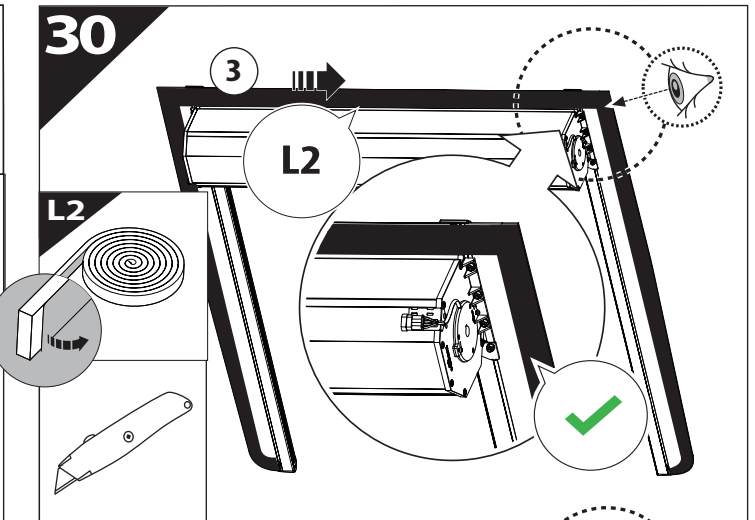


	CAR		TESSERA ROLL+
BEAM		↔	
STOP		↔	

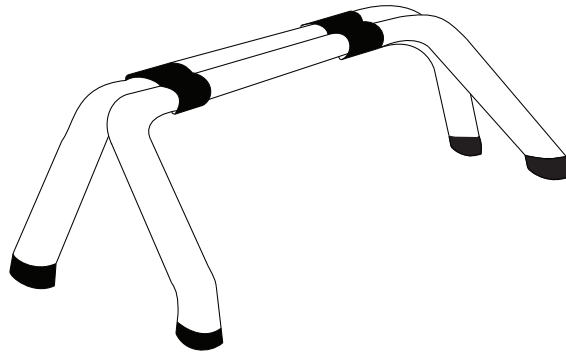
29



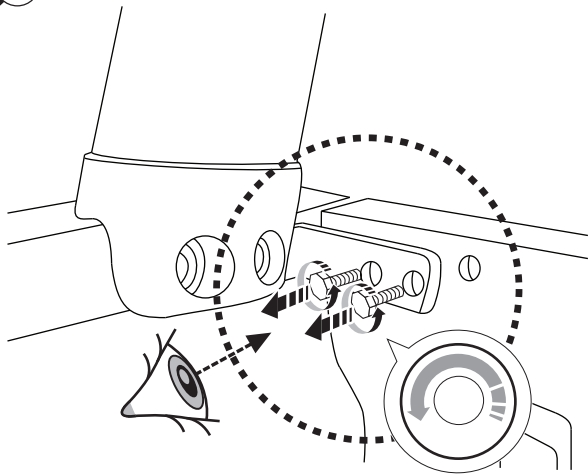
30



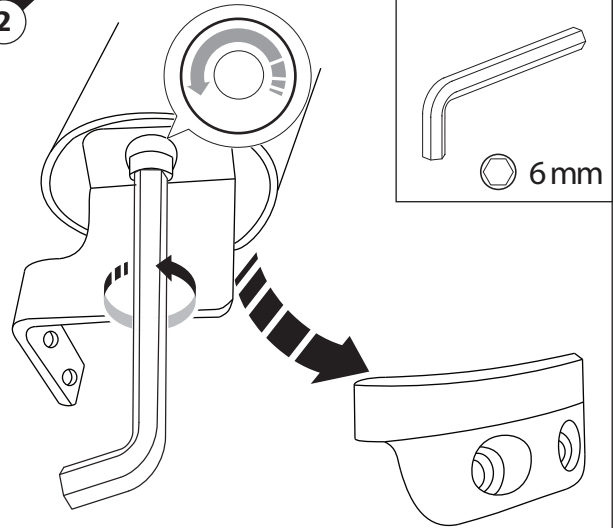
31



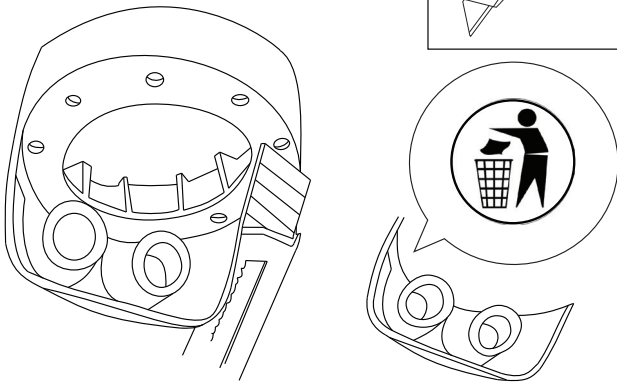
31. 1



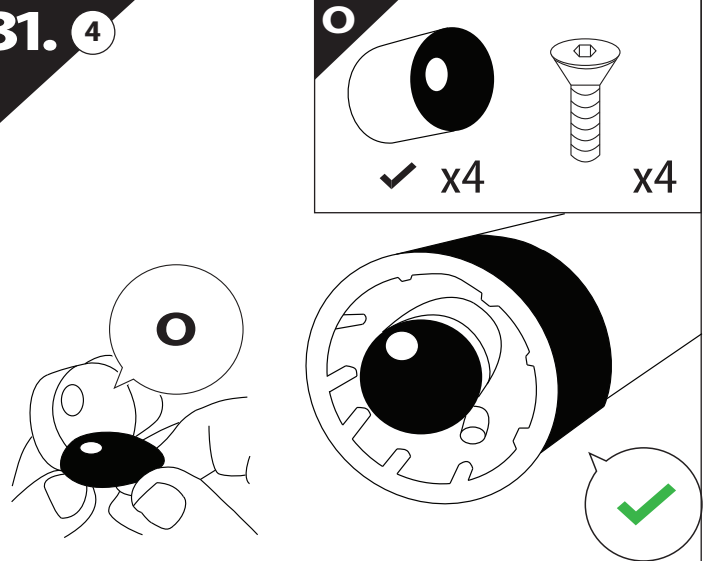
31. 2



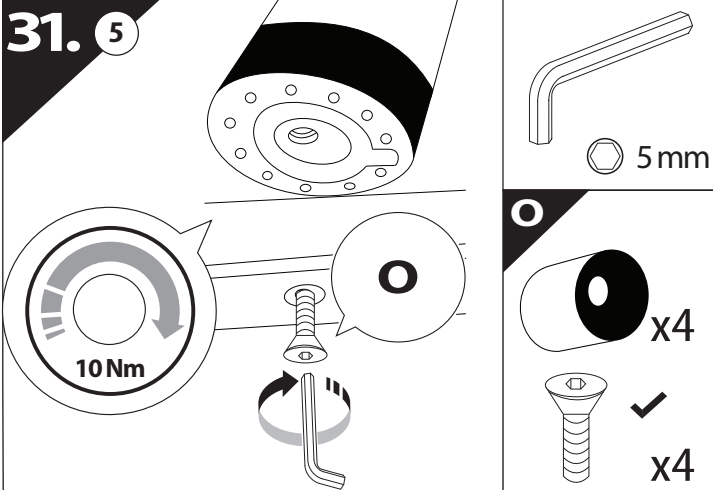
31. 3



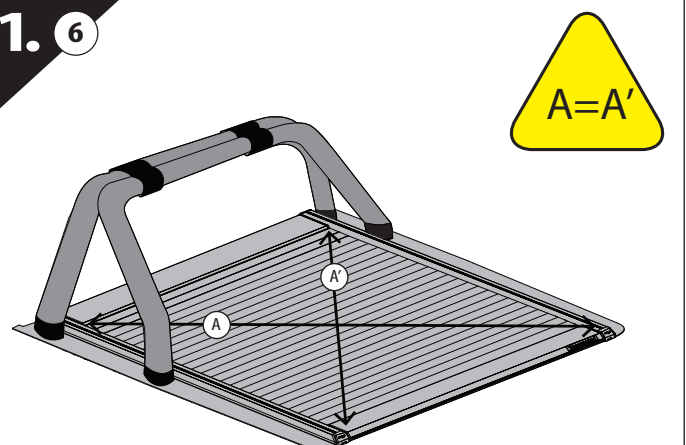
31. 4

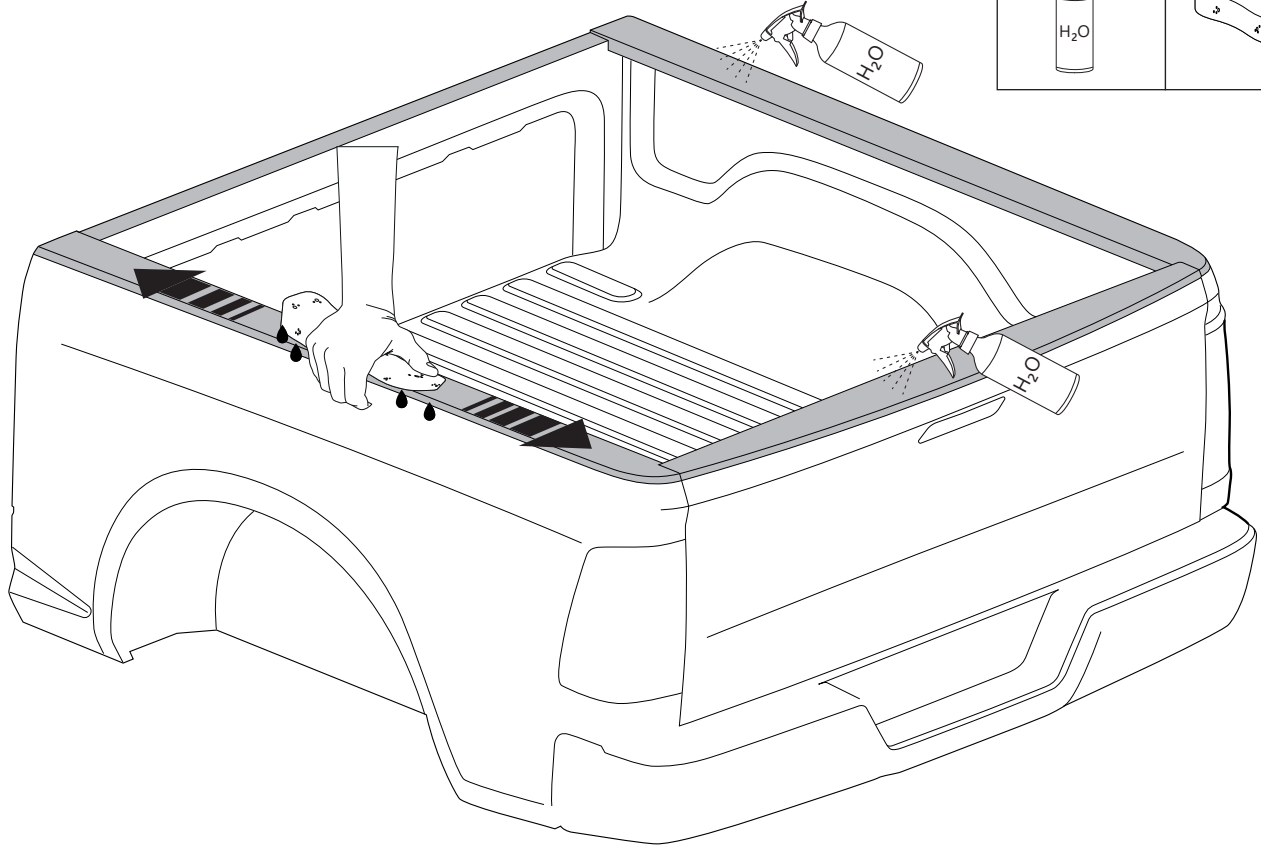
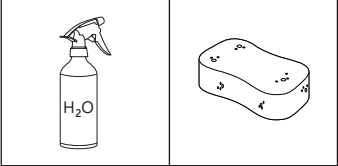


31. 5

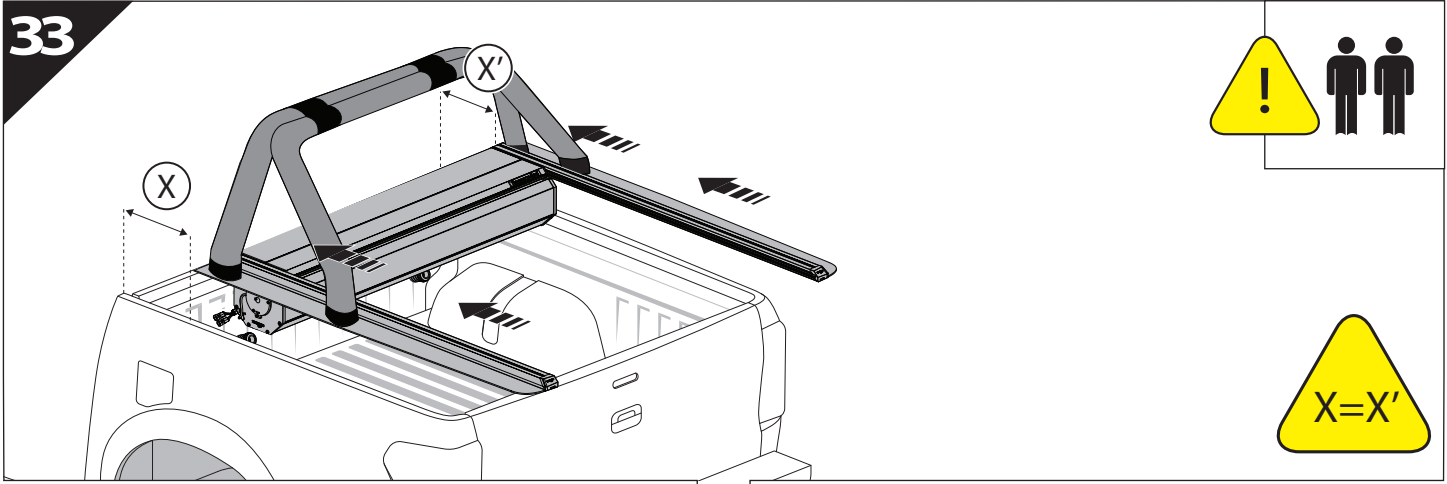


31. 6

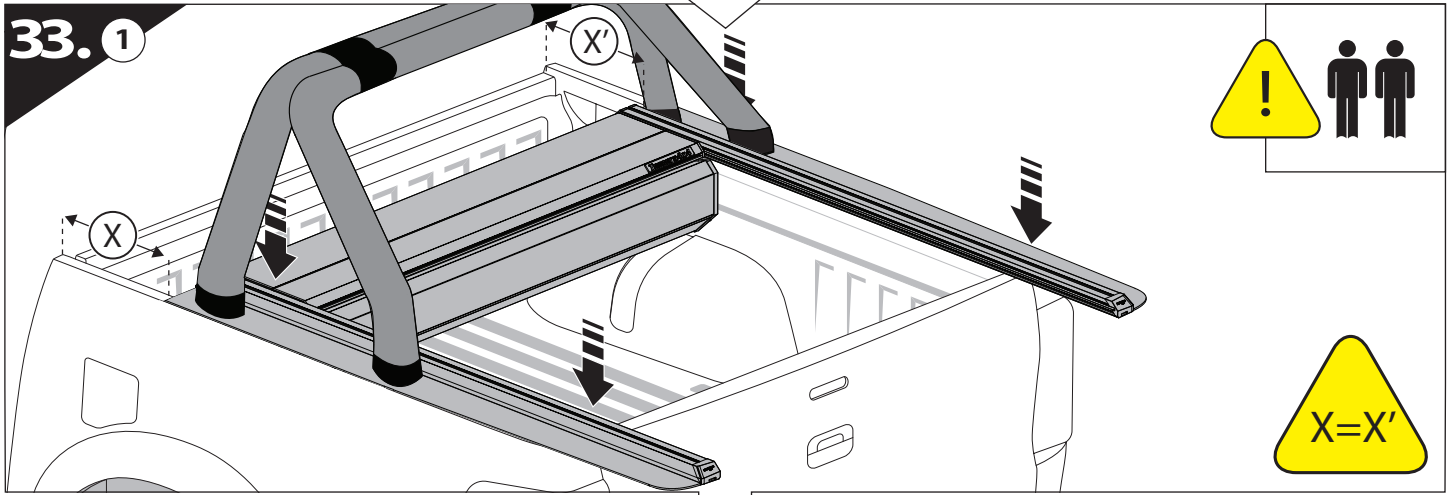




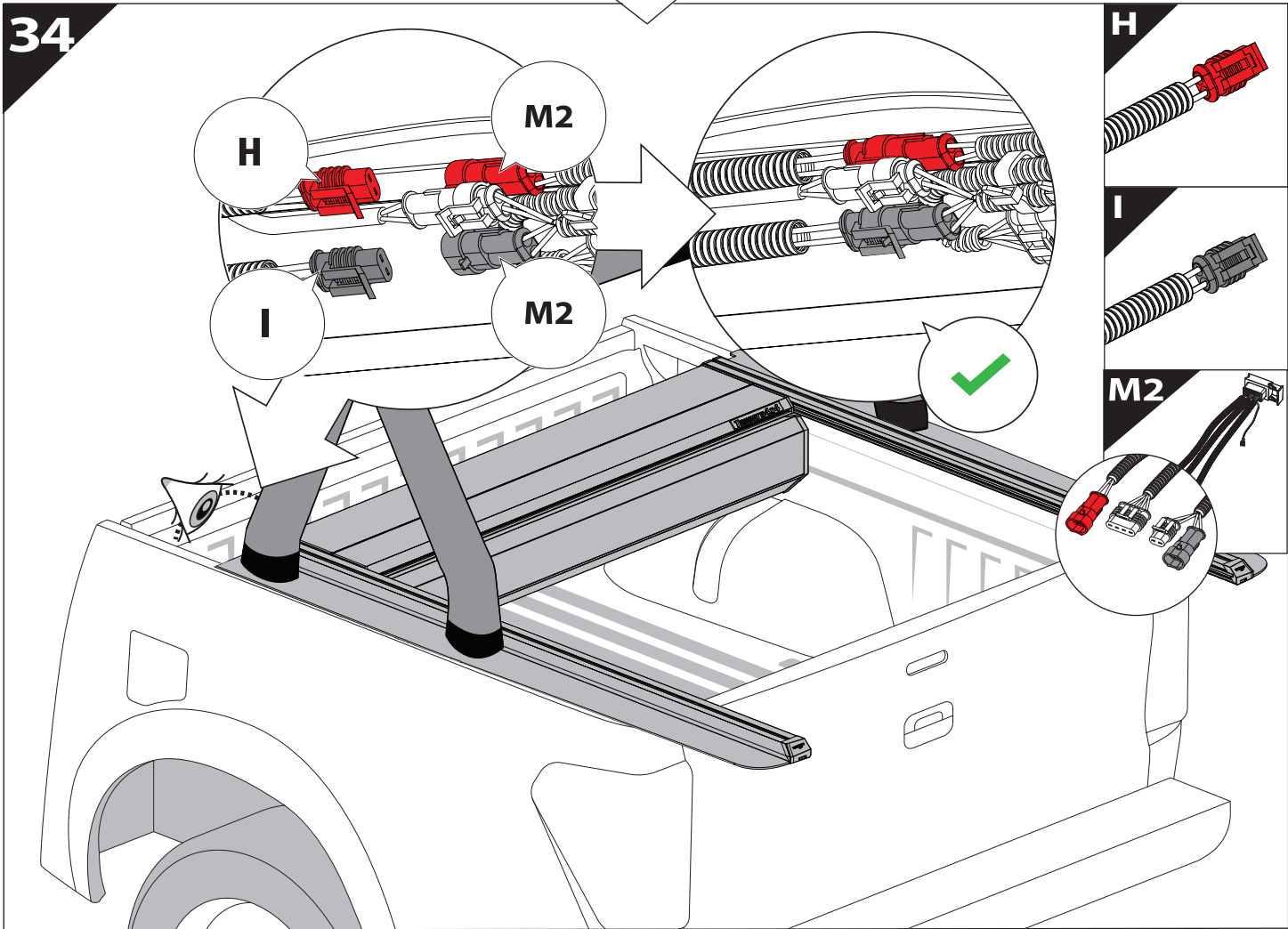
33



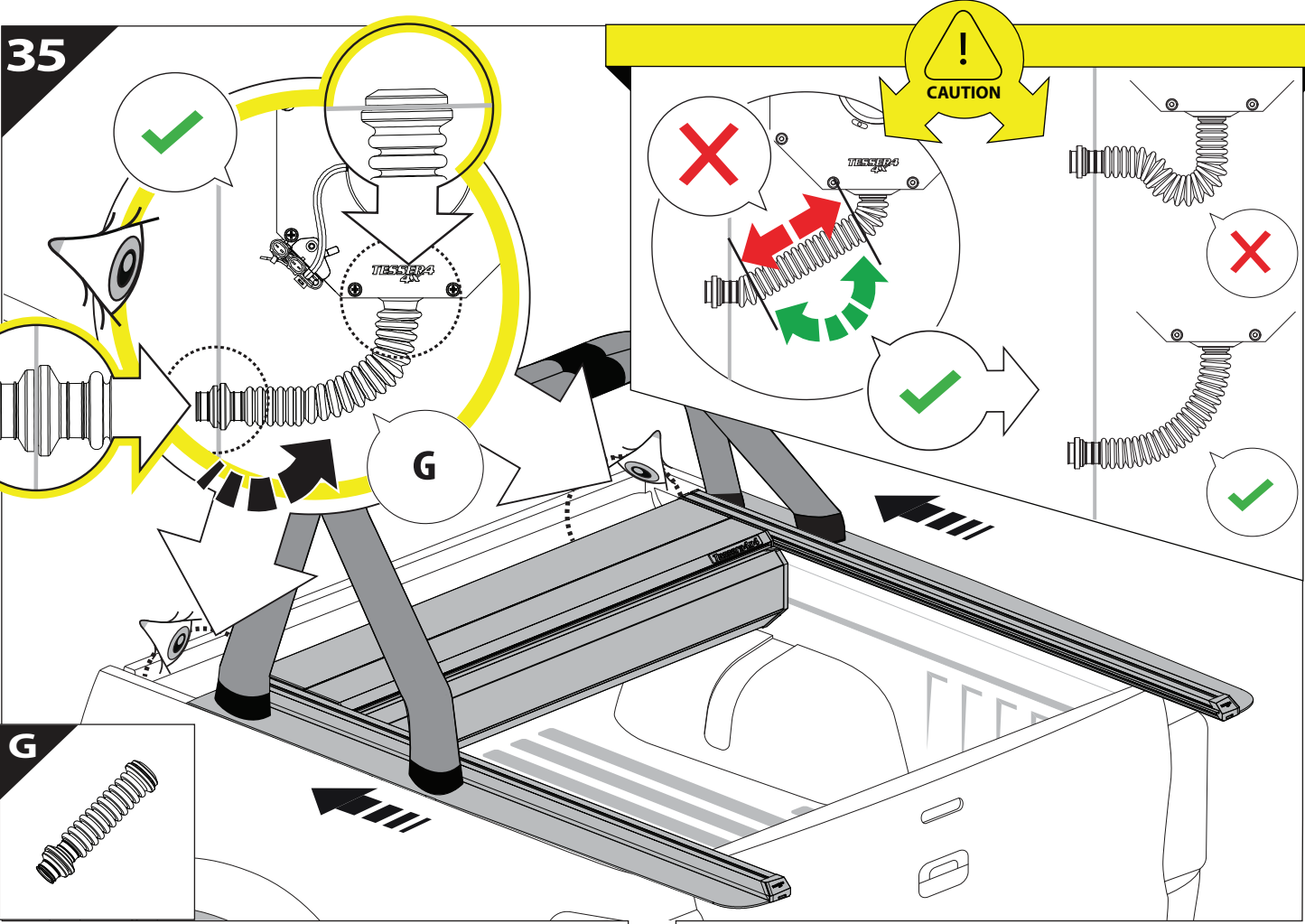
33. 1



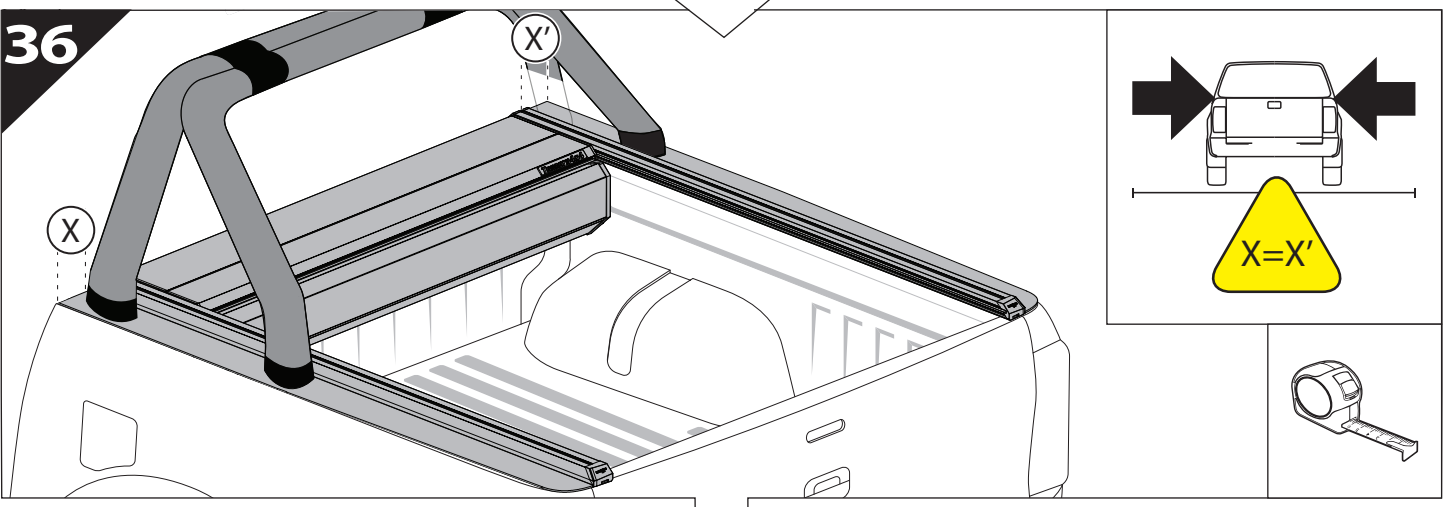
34



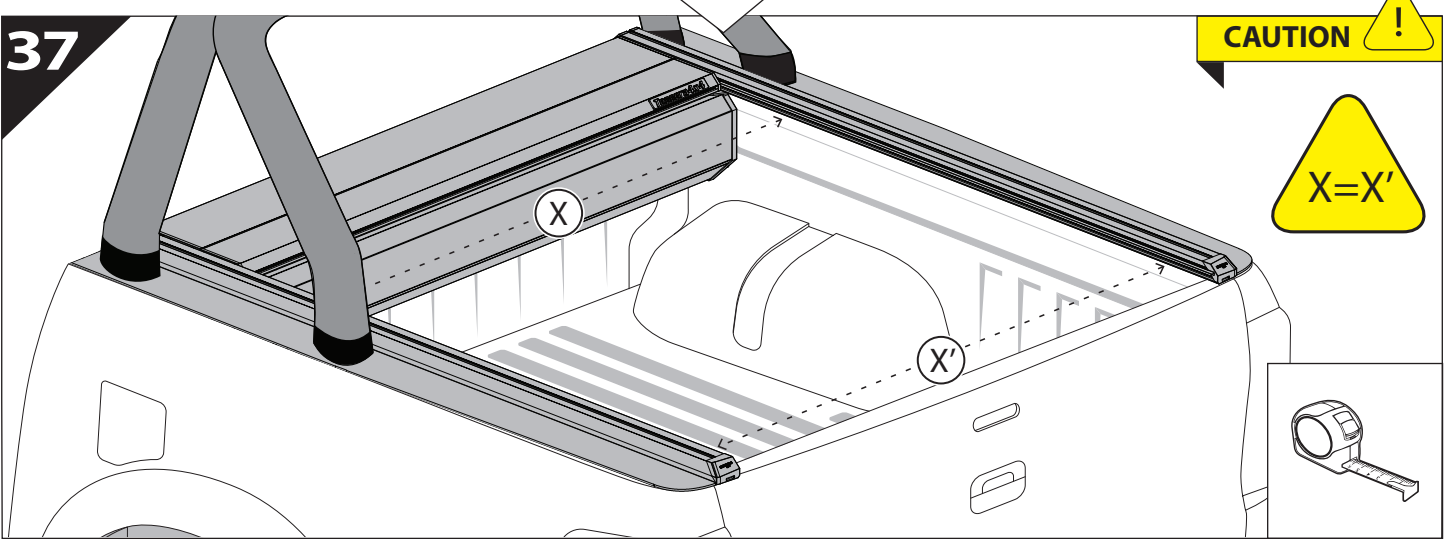
35



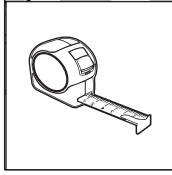
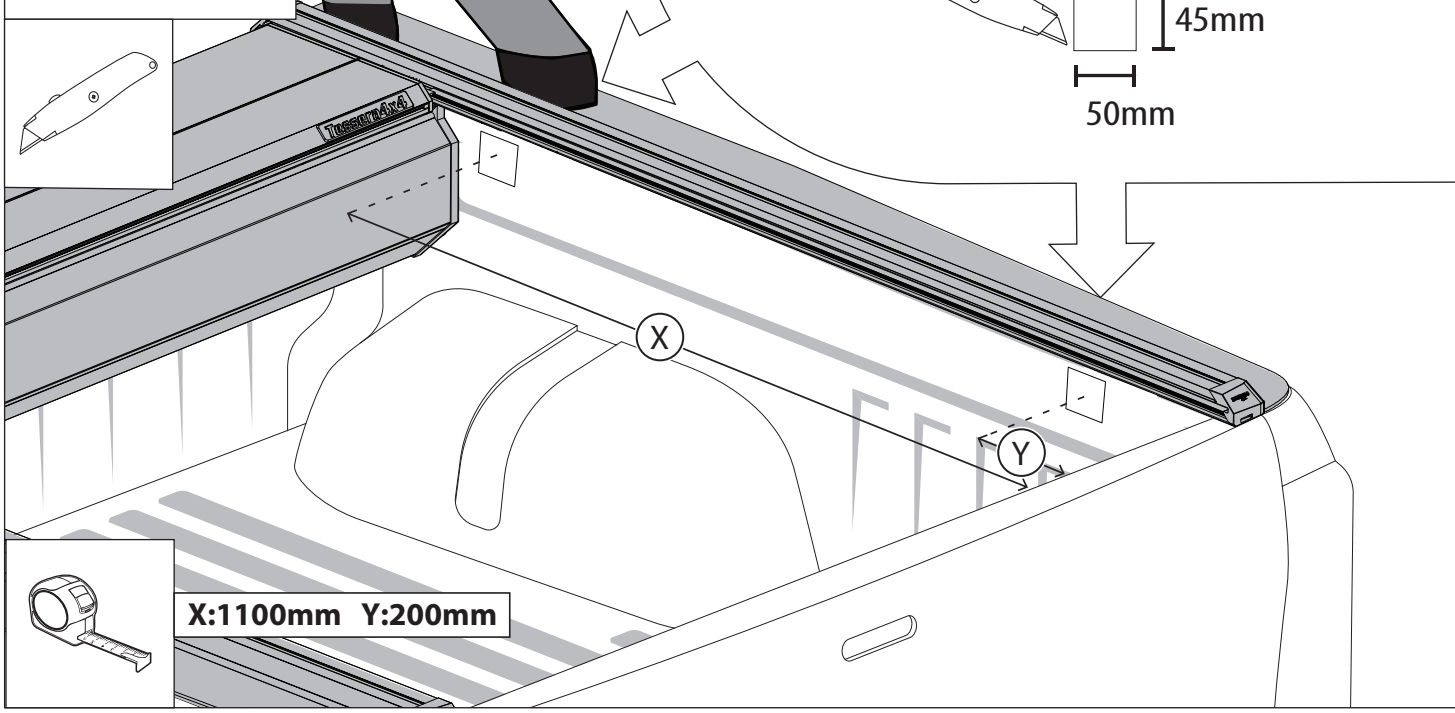
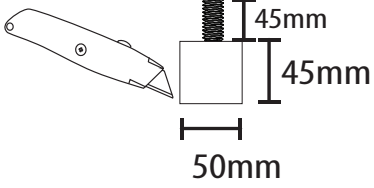
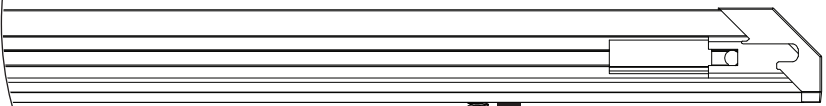
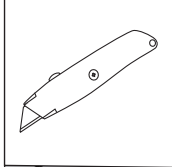
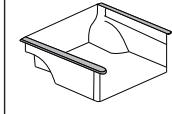
36



37

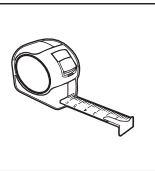
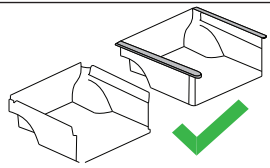
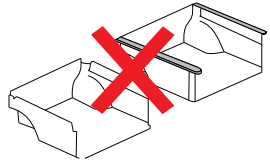
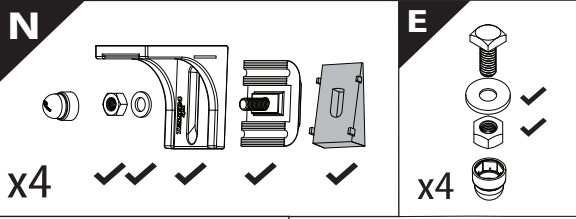


38

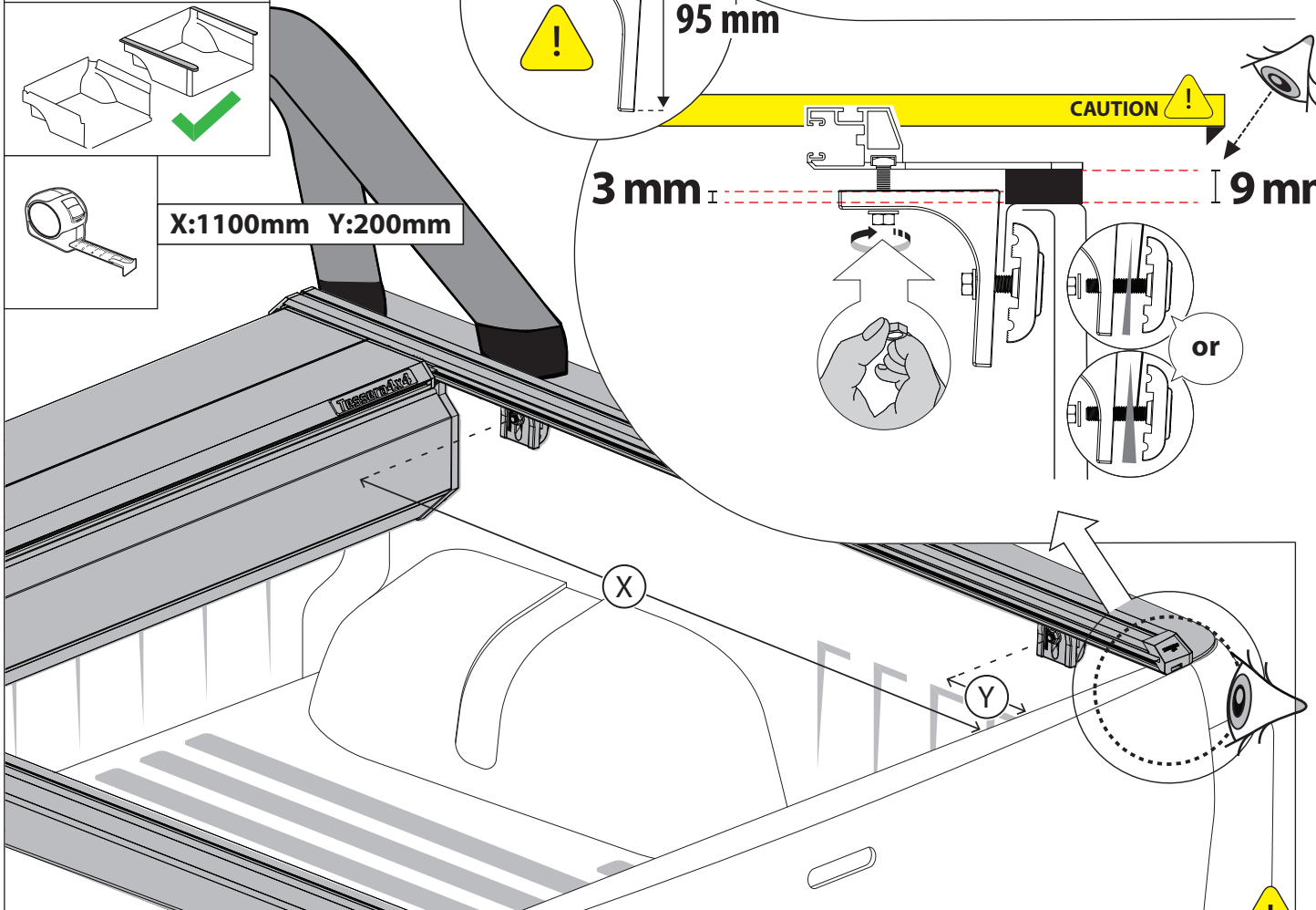
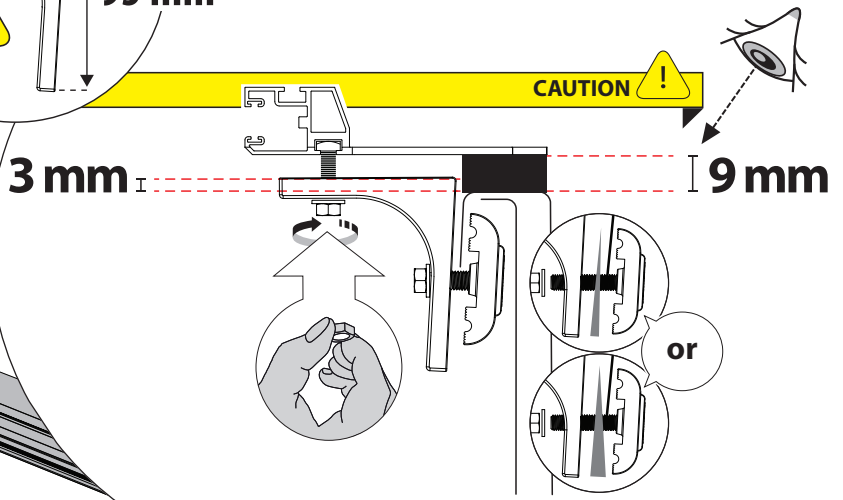
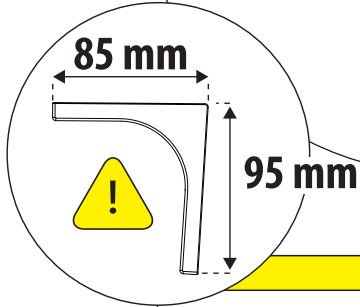
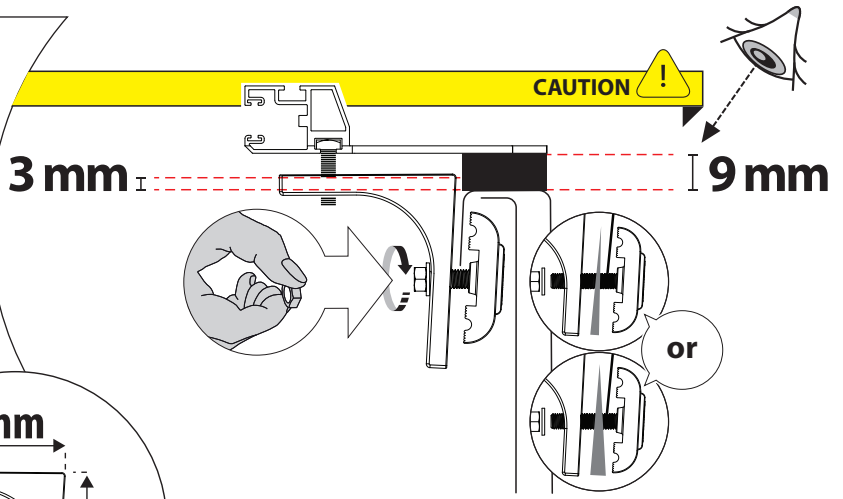


X:1100mm Y:200mm

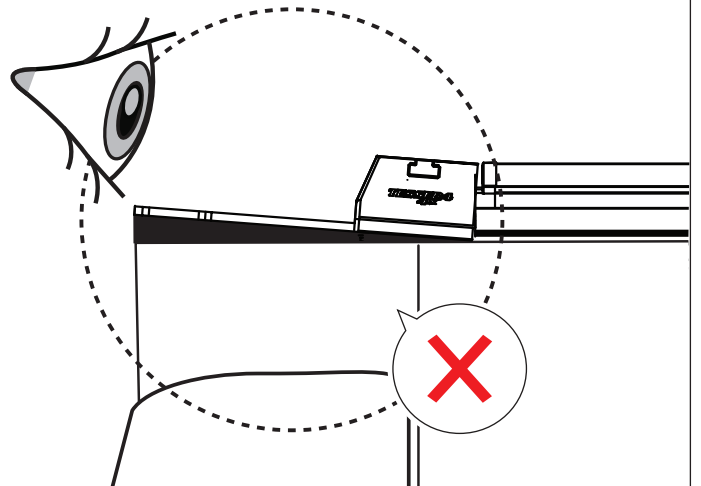
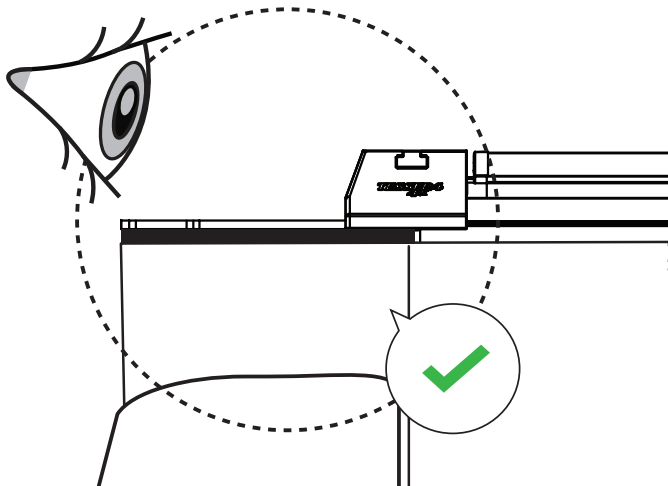
39

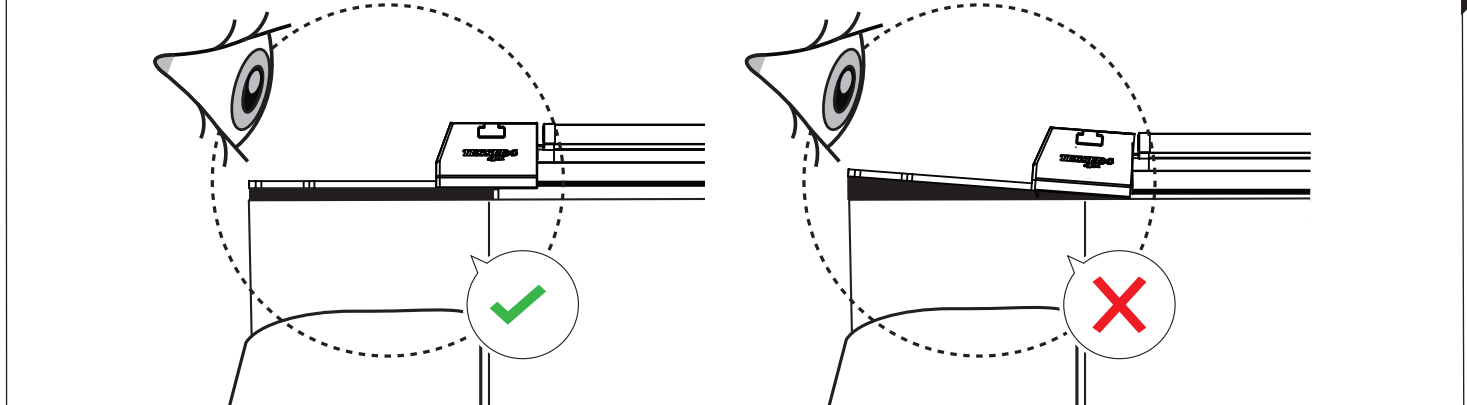
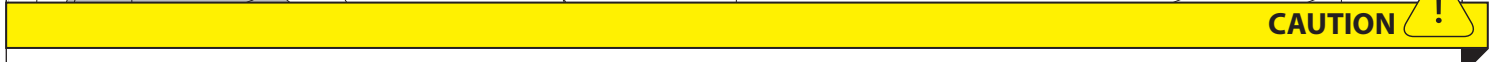
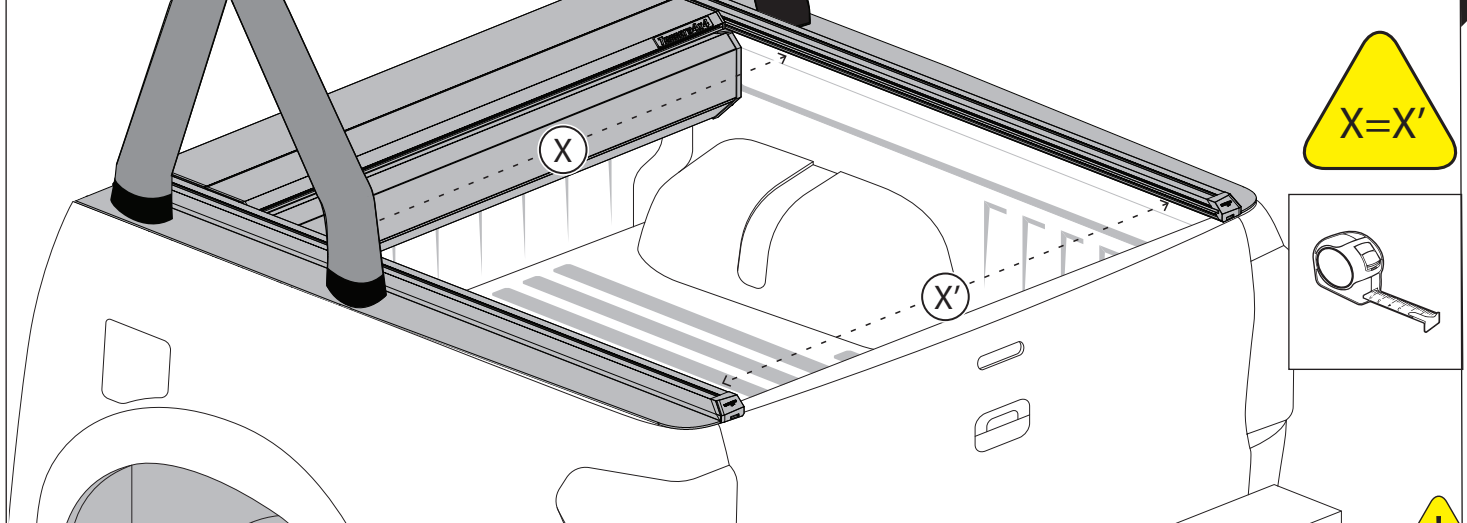
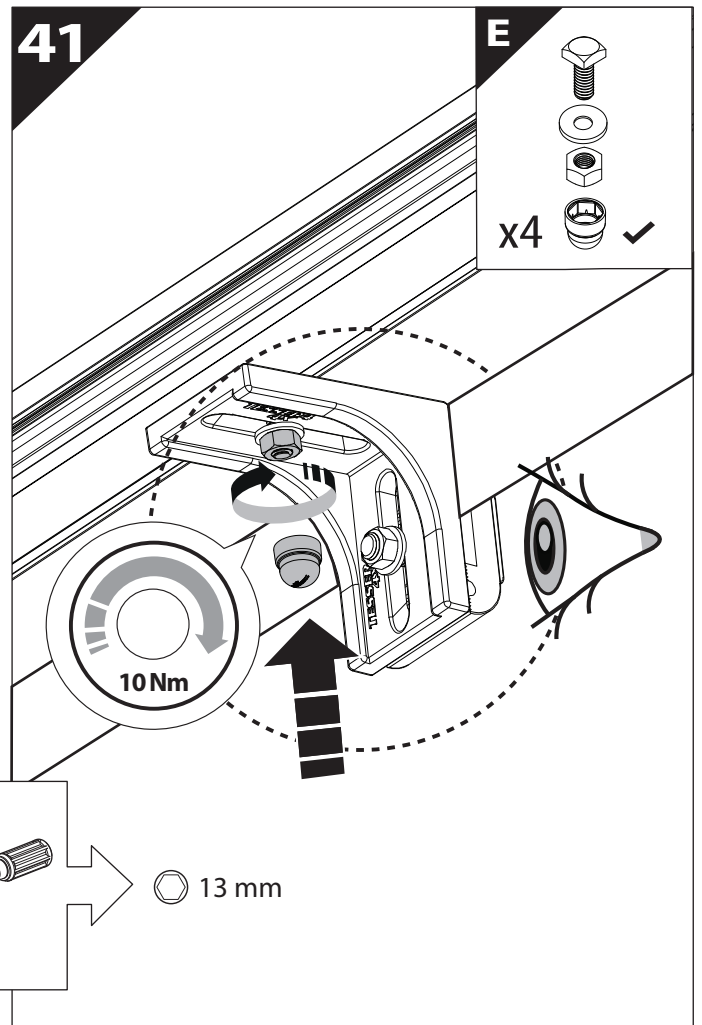
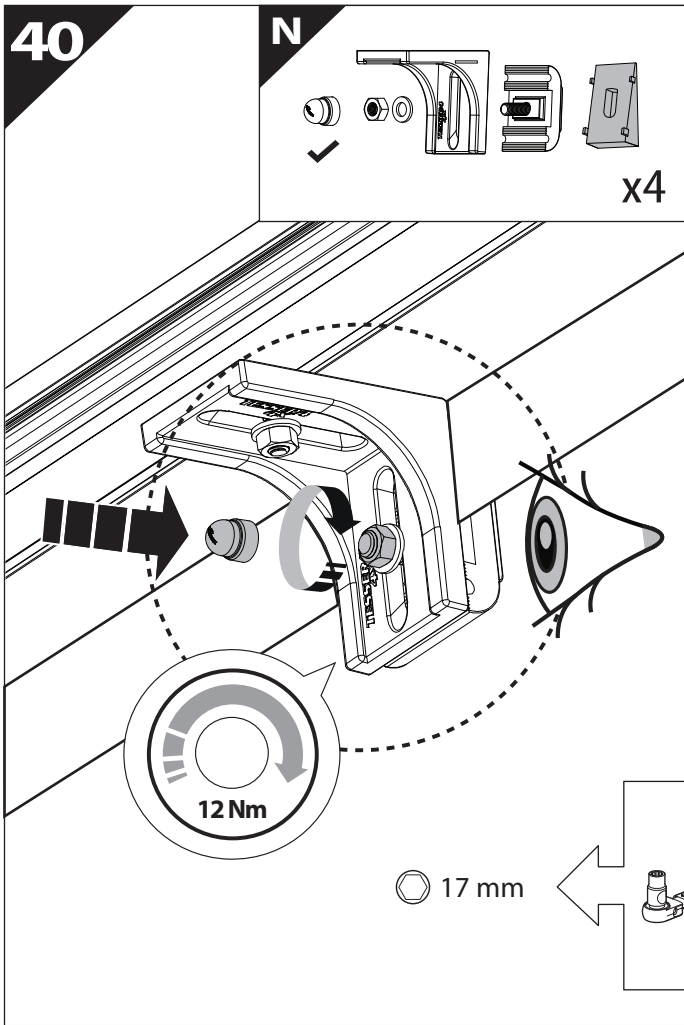


X:1100mm Y:200mm

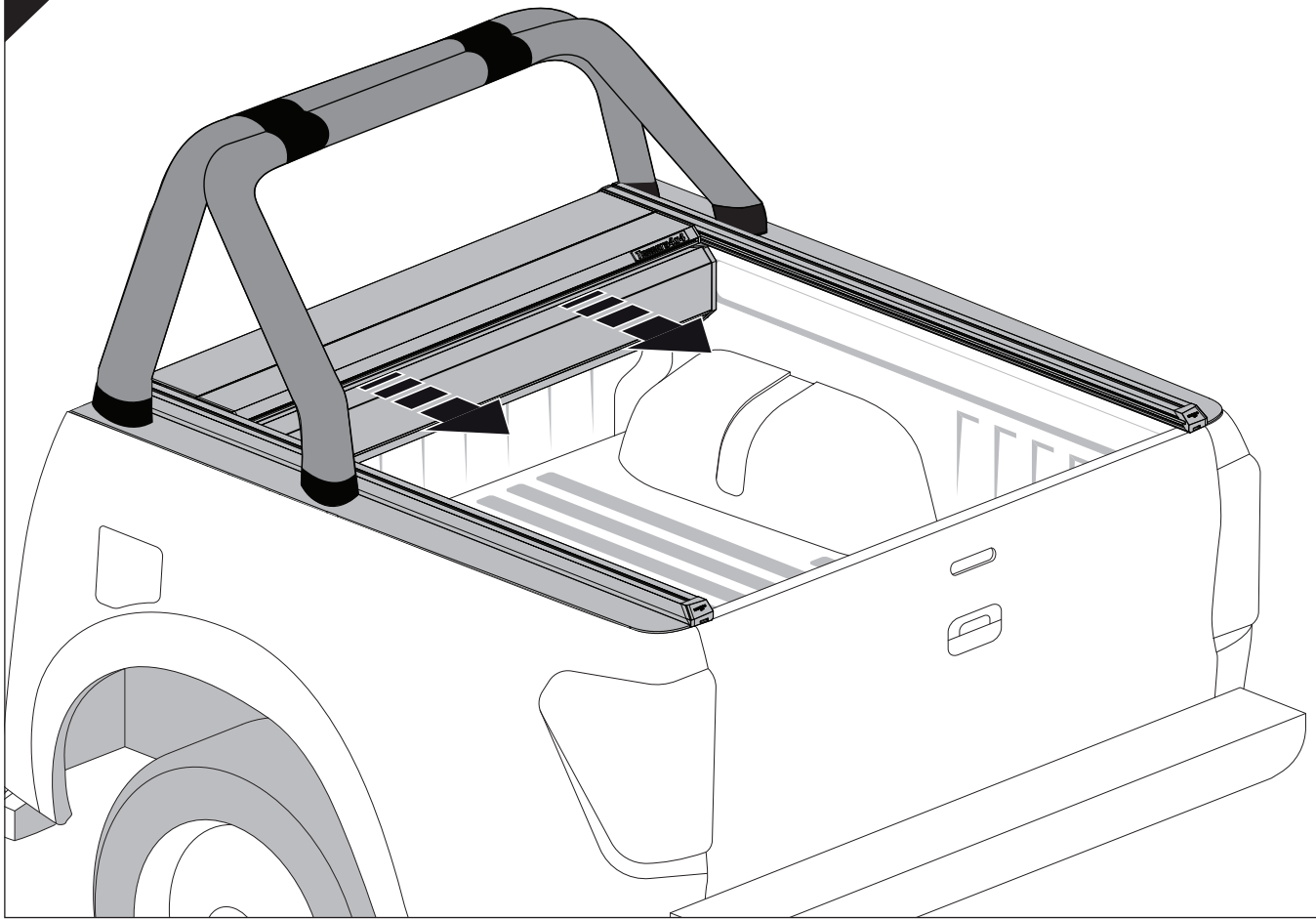


CAUTION !

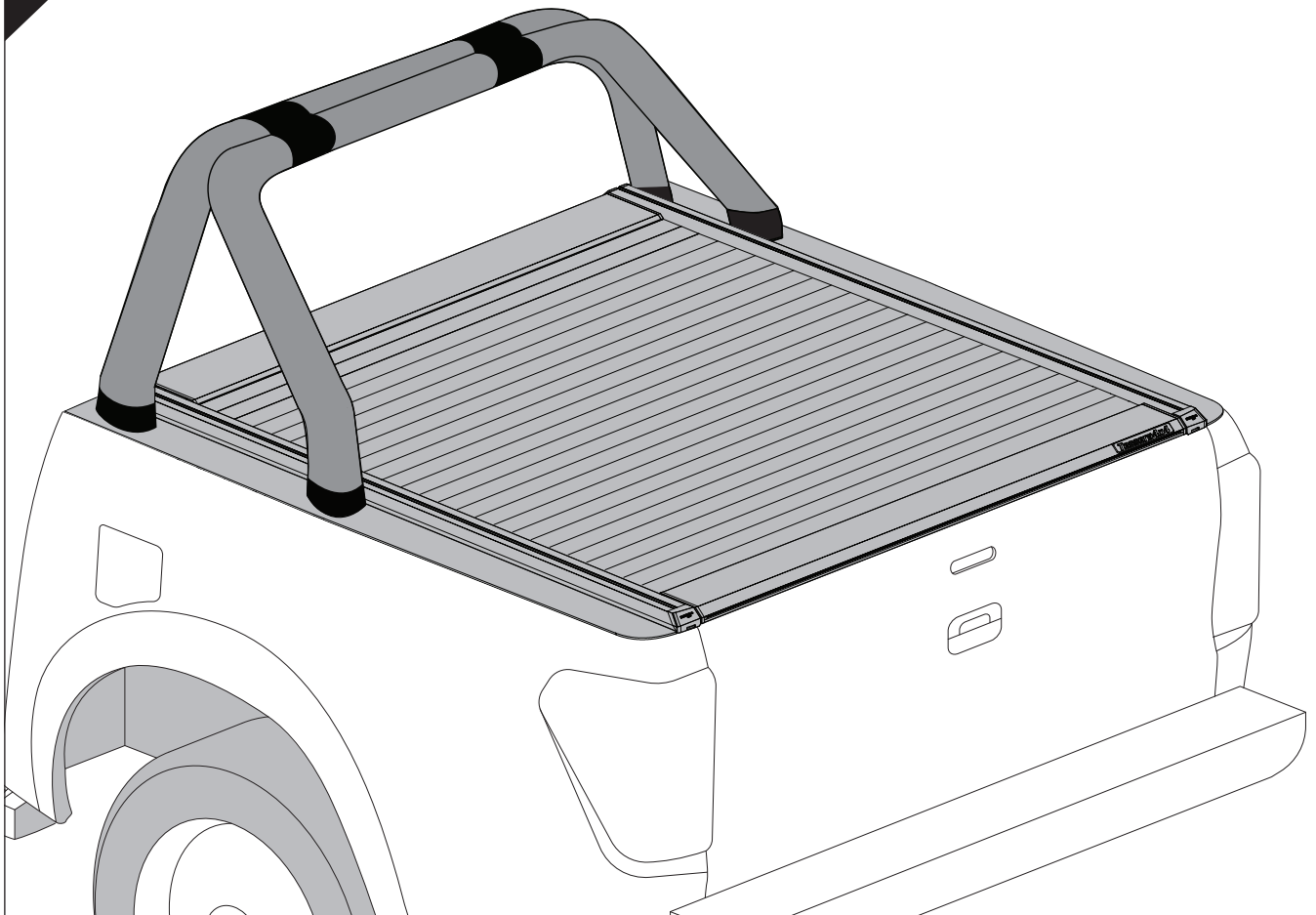




42



43





GR: Οδηγίες Εγκατάστασης
GB: Installation manual
SF: Asennusohje
F: Notice de montage
PL: Instrukcja montażu
NL: Installatie-instructies
TR: Montaj Talimatı
S: Monteringsanvisning
E: Instrucciones de montaje

H: Szerelési utasítás
P: Instruções de instalação
RUS: Инструкция по установке
N: Monteringsveiledning
D: Einbauanleitung
CZ: Návod k instalaci
I: Istruzioni de montaggio
DK: Monteringsvejledning
RO: Instructiuni de instalare

Customer Service:

+30 (210) 5541161, +30 (210) 5541154 (08:00 - 16:00 EET)

Support department:

info@gianso.gr

Website:

www.tessera4x4.com

Address:

19.5 km of National road Athens-Korinthos (Elefsina) Greece, P.C: 19200